

Sheds and Garages

# LOW PROFILE V9 ROLLER DOOR LOCK

## APPLICATION

- Garage roller doors
- 1.4mm thick extrusions

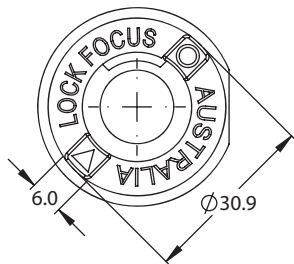
## FEATURES & SPECIFICATIONS

- Low profile fascia (7.8mm projection), secured from rear of panel by two screws
- Retractable locking arms feature mounting holes for locking rods
- Locking arms operable by key externally (19mm throw)
- Key removable in horizontal position only (to allow for internal override)
- Turn key 90° clockwise to unlock, turn key 90° anti-clockwise to lock
- Zinc diecast lock and fascia, steel locking arms
- Suited to 5-pin brass cylinder

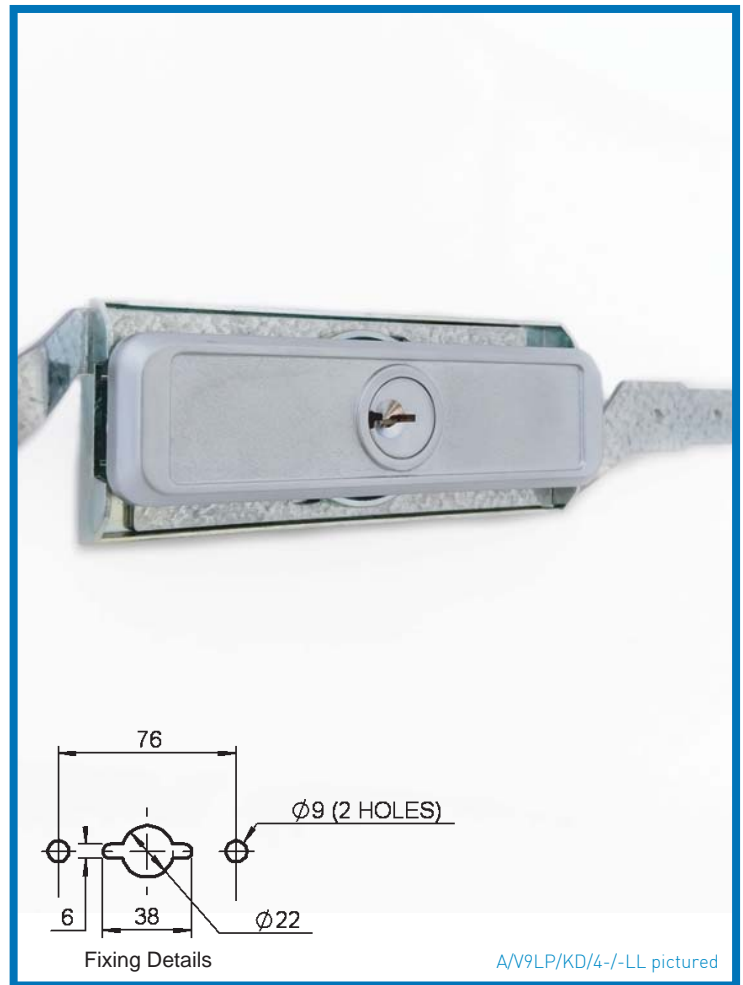
## CODE INFORMATION

Keying Detail

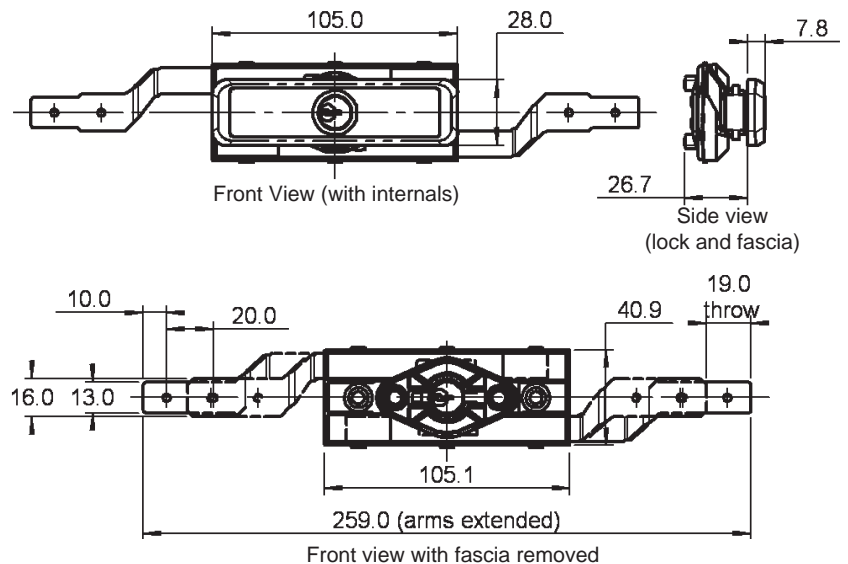
Keyed alike	KA
Keyed to differ	KD
No barrel, pre-loaded cylinder only	NB
No cylinder	##



Internal Latch Override



A/V9LP/KD/4-/-LL pictured



## ORDERING DETAILS

A/V9LP/key detail/4-/-LL    Ordering example: A/V9LP/KA/4-/-LL