

Sheds and Garages

C4 V9 ROLLER DOOR LOCK

APPLICATION

- Garage roller doors
- Sliding door applications (mount vertically)

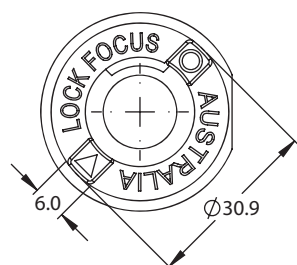
FEATURES & SPECIFICATIONS

- Satin plated fascia (14mm projection), secured from rear of panel by two screws
- Retractable locking arms feature mounting holes for locking rods
- Locking arms operable by key externally (19mm throw)
- Key removable in horizontal position only (to allow for internal override)
- Turn key 90° clockwise to unlock, turn key 90° anti-clockwise to lock
- Zinc diecast lock and fascia, steel locking arms
- Suited to 5-pin brass cylinder

CODE INFORMATION

Keying Detail

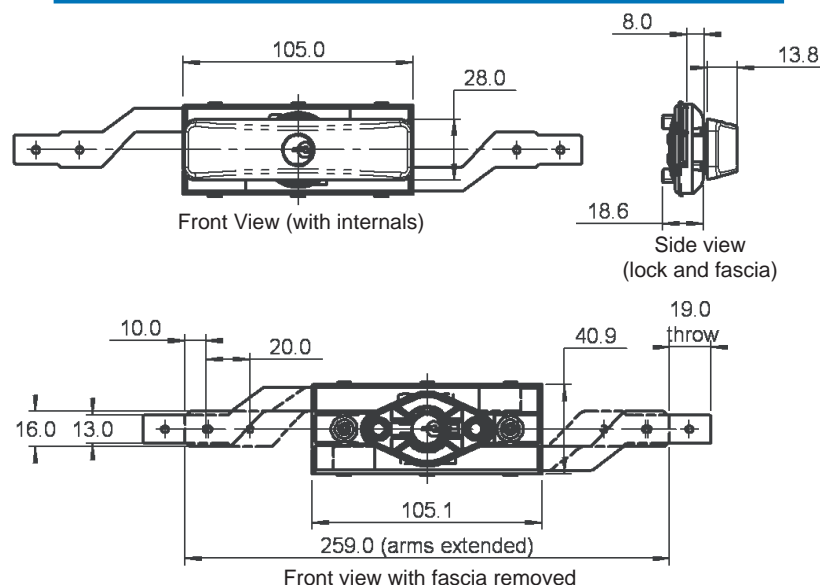
Keyed alike	KA
Keyed to differ	KD
No barrel, pre-loaded cylinder only	NB
No cylinder	##



Internal Latch Override



A/V9C4/KD/4-/-LL pictured



ORDERING DETAILS

A/V9C4/key detail/4-/-LL Ordering example: A/V9C4/KA/4-/-LL Retail code: AR/V9C4/KD/4-/-LL