

## Sheds and Garages

# V7 ROLLER DOOR LOCK

### APPLICATION

- Garage roller doors

### FEATURES & SPECIFICATIONS

- Standard assembly is barrel only, custom fascia available upon request
- Retractable locking arms feature mounting holes for locking rods
- Locking arms operable by key externally (19mm throw)
- Key removable in horizontal position only (to allow for internal override)
- Internal override options available: key or latch
- Engineered plastic lock, steel locking arms

### CODE INFORMATION

#### Key Series

Double Entry, 100 combinations, non-master	19
Double Entry, 400 combinations, non-master	23
Double-ended entry, 100 combinations, for internal key override	25
Double Entry, 1000 combinations, non-master	CL

#### Movement

180° rotation to unlock	H
90° clockwise rotation to unlock	C

#### Internal Override

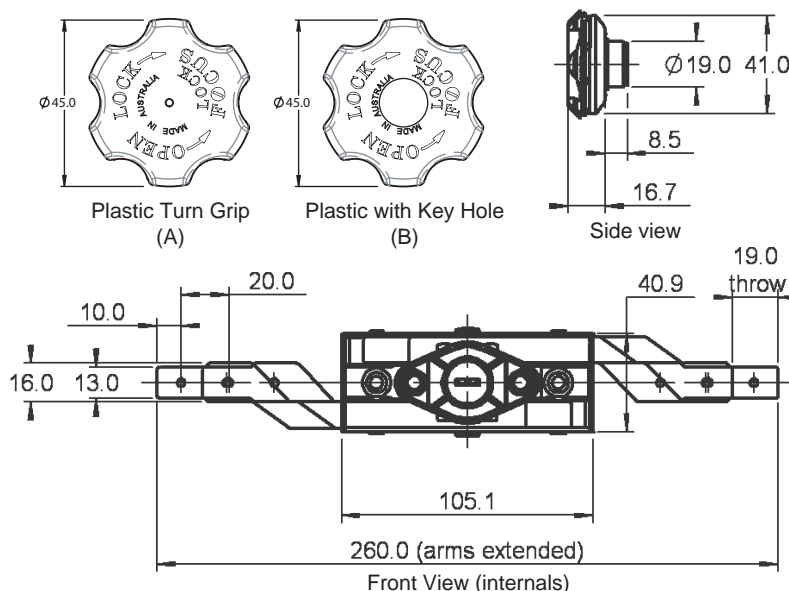
Latch, manual grip override	L
Key, double-ended entry barrel	K

#### Arms

Standard, 259mm extended arm span	-
Extended, 336mm extended arm span	E

#### Latch Options

Plastic Turn Grip, black	A
Plastic with Key Hole, for internal key override	B



### ORDERING DETAILS

A/V7--/key series/6+movement/internal override+arm+latch    Ordering example: A/V7--/23/6H/L-A