

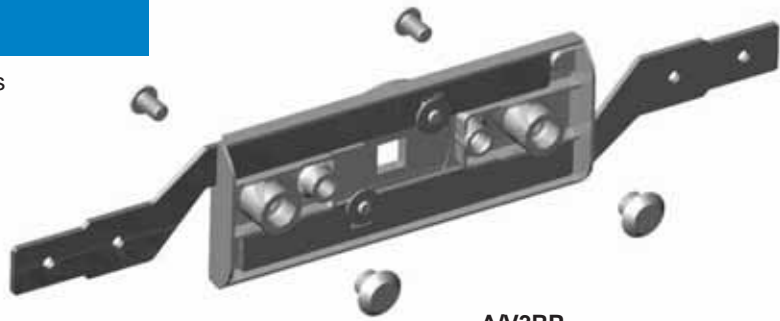
8 MM SQUARE DRIVE ROLLER DOOR LOCK

Applications

This lock is ideal for use on truck shutters and applications that require a T handle to provide 2-point locking.

The lock can be secured with a pair of dome nuts (optional), which are fitted from the front of the panel, enabling the screws to secure the lock from the rear.

The hole centre fixing allows the A/HT8F mini T handle or A/HG-R large T handle to be fitted to drive the arms.

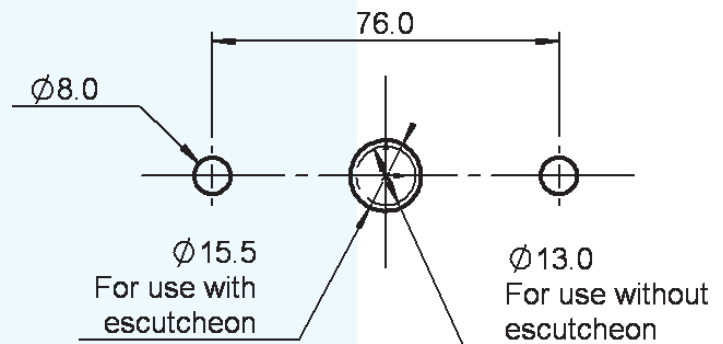
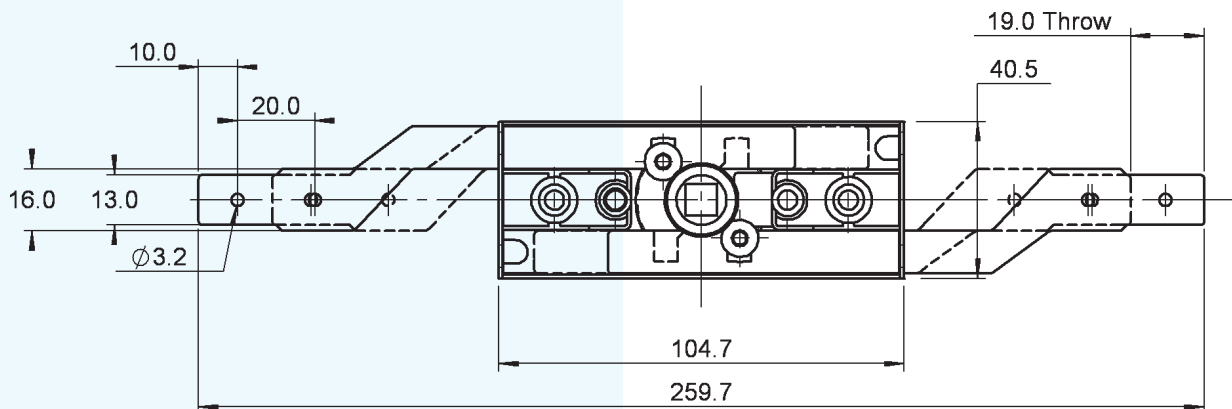


AV3RP

Specifications

Dimensions/Fixing shown NTS

- Zinc alloy diecast lock - clear zinc-plated
- 19 mm arm throw
- 8 mm square drive



Fixing Details

Ordering Details

Measurements shown in mm

STEP 1 STEP 2 STEP 3 STEP 4

A / V 3 R P / - - / 1 - / L - 4

Ordering example: A / V 3 R P / - - / 1 - / L - 4