

Sheds and Garages

V2 ROLLER DOOR LOCK

APPLICATION

- Garage roller doors

FEATURES & SPECIFICATIONS

- Minimum protrusion from garage door surface, barrel sits in install cut-out (no fascia required)
- Retractable locking arms feature mounting holes for locking rods
- Locking arms operable by key externally (19mm throw)
- Key removable in horizontal position only (to allow for internal override)
- Internal override options available: key or latch
- Zinc diecast lock and fascia, steel locking arms

CODE INFORMATION

Key Series

Double Entry, 100 combinations, non-mastered	19
Double Entry, used with key override	20

Keying Detail

Keyed alike	KA
Keyed to differ	KD

Movement

180° rotation to unlock	H
90° clockwise rotation to unlock	C

Internal Override

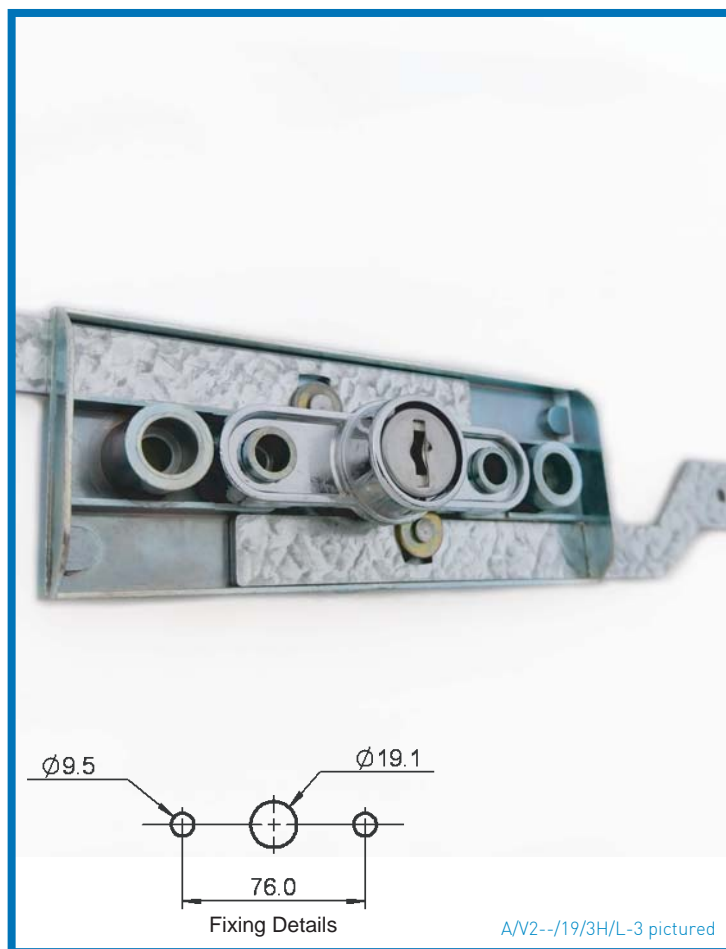
Latch, manual grip override	L
Key, double-ended entry barrel	K

Arms

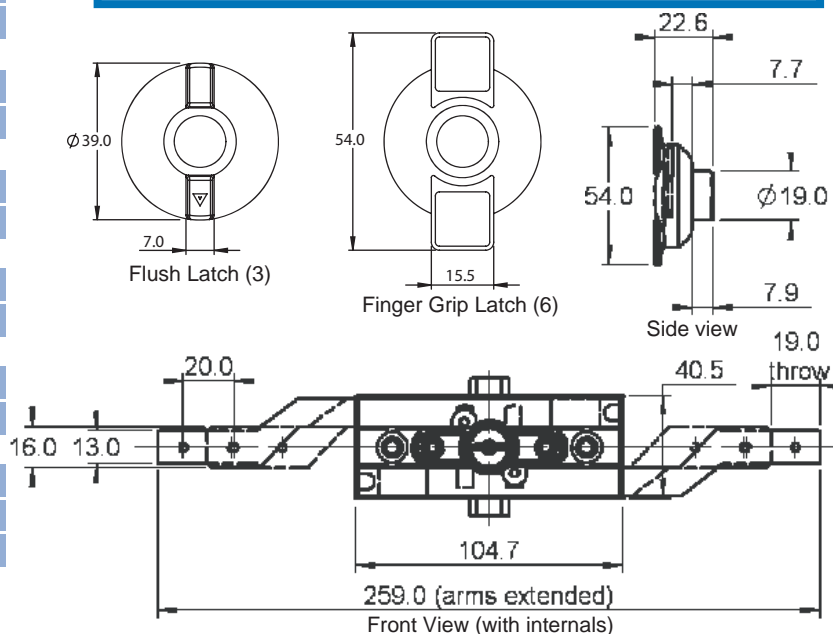
Standard, 259mm extended arm span	-
Extended, 336mm extended arm span	E

Latch Options

Flush latch	3
Finger grip latch	6
Key override latch, used with key override	2



A/V2--/19/3H/L-3 pictured



ORDERING DETAILS

A/V2--/key series/3+movement/internal override+arms+latch Ordering example: A/V2--/19/3H/L-6