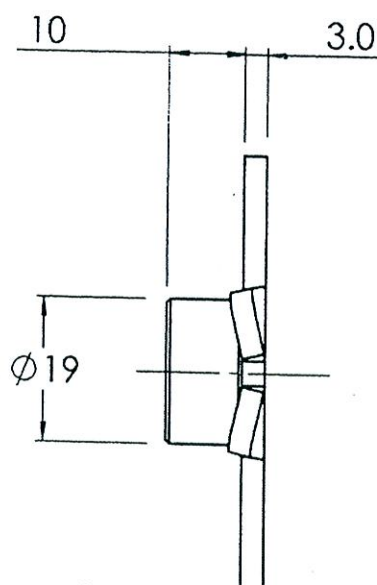
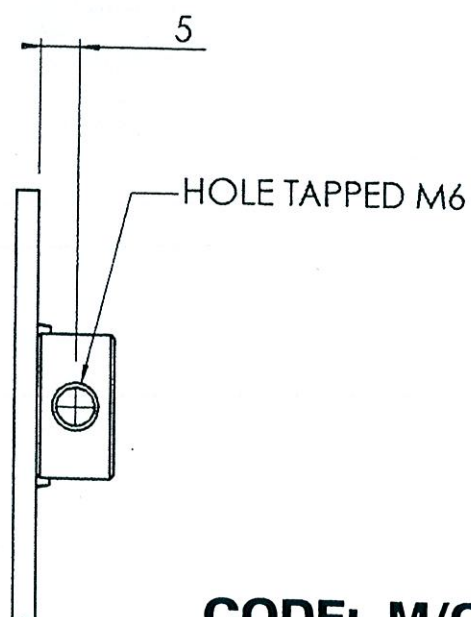
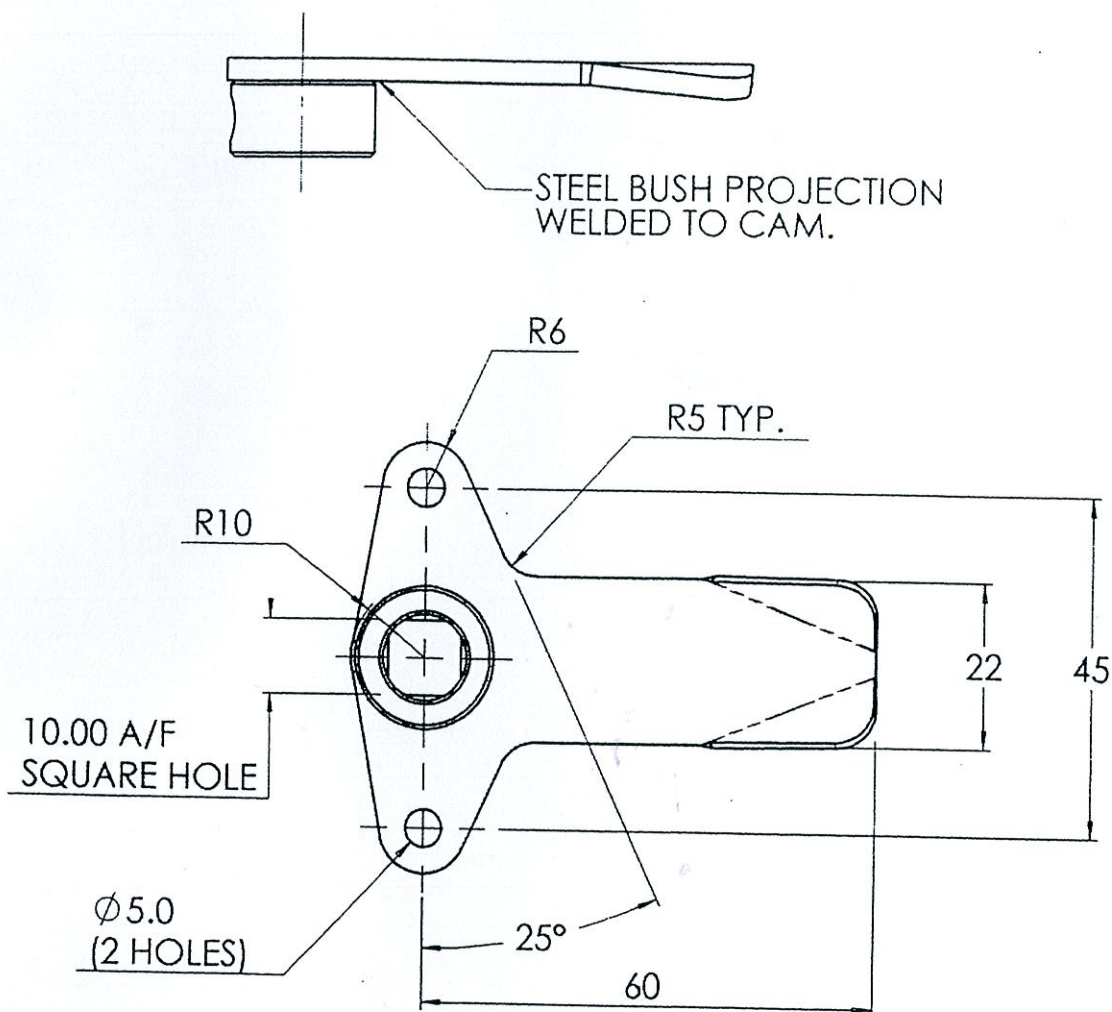


UNIVERSAL 3 POINT LOCKING HANDLE MECHANISM



CODE: M/CAMU/3P/PC

A/CAMU/3P/ADP - Cam + 1000-U49

NOTE: SPECIFICATIONS SUBJECT TO CHANGE WITHOUT PRIOR NOTICE

MARCH 2003 x 2