

Sheet Metal

F738 KEYED SWING HANDLE

APPLICATION

- Sheet metal furniture
- Suitable for sheet thickness up to 10mm

FEATURES & SPECIFICATIONS

- 360° rotatable handle controls locking cam
- Spring loaded handle indicates when unlocked
- 90 barrel rotation to unlock, key removable in locked condition only
- Slam locking handle
- Extended spindle length (54mm) allows for adjustable cam position
- 8mm square drive spindle suitable for various cam types, including 3-point mechanisms
- IP66 rating
- Zinc diecast body available in chrome finish

KEYING

- Available in 92268, CL001, L003, and ETSA keying

DESCRIPTION	PRODUCT CODE
Barrel Lockable Handle, LF wafer*	I/F738

*barrel sold sperately



*for sheet thickness >3mm, use 20mm hole



LOCKFOCUS
CREATING SOLUTIONS SINCE 1972

FREE PHONE: 1800 687 116
Email: sales@lockfocus.com.au

15-17 Futura Road, Keysborough 3173
Melbourne Victoria Australia
T: 61 3 9798 1322 F: 61 3 9798 9652
www.lockfocus.com.au

LOCK FOCUS CREATING SOLUTIONS SINCE 1972

Sheet Metal

F73 PADLOCKABLE SWING HANDLES

APPLICATION

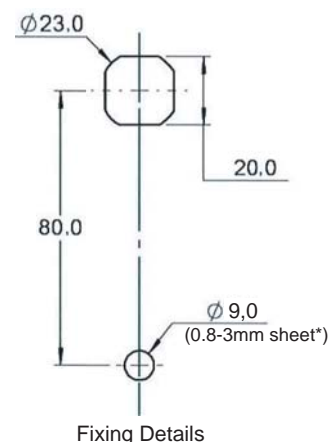
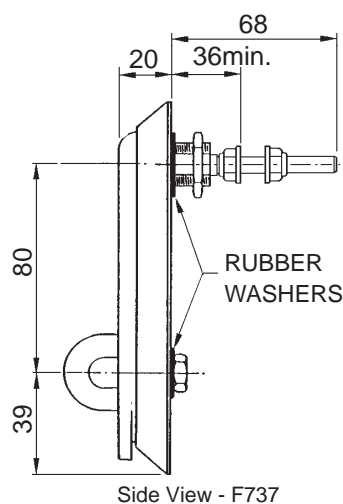
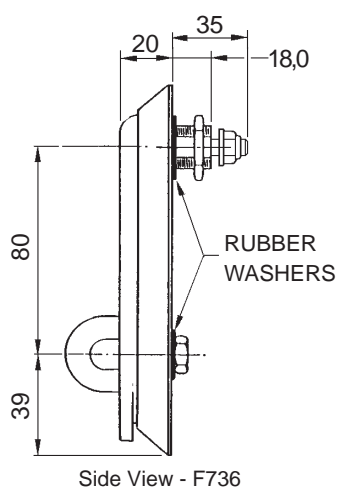
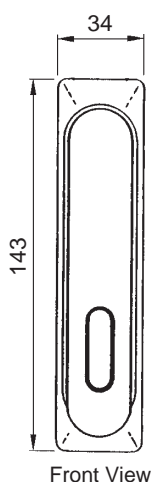
- Sheet metal furniture
- Suitable for sheet thickness up to 10mm

FEATURES & SPECIFICATIONS

- 360° rotatable handle controls locking cam
- Stainless steel hasp insert for padlocking (13mm max. padlock shackle diameter)
- 8mm square drive spindle available in standard length (8mm) and extended length (54mm)
- Extended spindle allows for adjustable cam position (F737 only) and is suitable for 3-point mechanisms
- IP65 rating
- Zinc diecast body available in chrome finish



DESCRIPTION	PRODUCT CODE
F736 Swing Handle, standard spindle	I/F736
F737 Swing Handle, extended spindle	I/F737



*for sheet thickness >3mm, use 20mm hole

Sheet Metal

SS PADLOCKABLE SWING HANDLE

APPLICATION

- Sheet metal furniture
- Suitable for sheet thickness up to 10mm

FEATURES & SPECIFICATIONS

- 360° rotatable handle controls locking cam
- Stainless steel hasp insert for padlocking (13mm max. padlock shackle diameter)
- 8mm square drive spindle available in standard length (8mm) and extended length (44mm)
- Extended spindle allows for adjustable cam position (I/HSS-/2A/SS only) and is suitable for 3-point mechanisms
- IP65 rating
- Stainless steel body available in polished finish



I/HSS-/2A/SS pictured

DESCRIPTION	RETAIL CODE
HSS Handle, extended spindle	I/HSS-/2A/SS
HSS Handle, short spindle	I/HSS-/3A/SS

