

SPINDLE LOCK - 19 MM

NUT FIX AND QUICK FIX - ROUND AND SQUARE FACES

Applications

This lock is ideal for use on multi-drawer cabinets.

Rotating the key results in 180° rotary spindle movement.

The end of the spindle accepts a rod which drives a locking mechanism within the cabinet.

Specifications

- Zinc alloy diecast housing
- Key removable in locked and unlocked positions
- Stainless steel capped barrel
- One pair of nickel-plated keys per lock

Code Information

KEY SERIES

- 01 200 combinations - non-master keying
- 02 200 combinations - master keying
- 11 2000 combinations - non-master keying
- 12 2000 combinations - master keying

FINISH

- 3 Bright chrome

MOVEMENT

- B 180° clockwise or anti-clockwise to unlock

FIXING (Refer to page A105 for applications)

For use on A/SR19

- N Nut
- F Across flats spring clip
- R Across rounds spring clip

For use on A/SSX1

- Q Quick fix spring clip (oil-dipped finish)
- K Quick fix spring clip (silver finish - Dacromat)

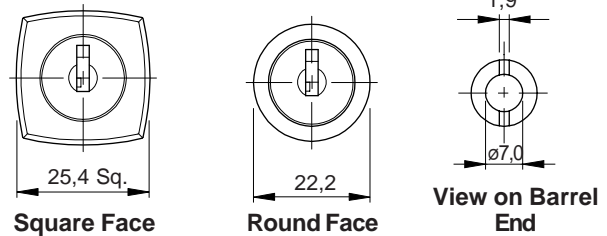


ASSX1



A/SR19

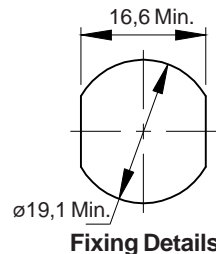
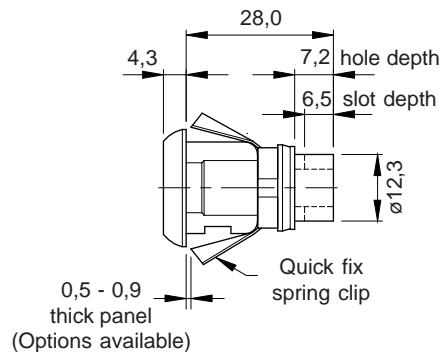
Dimensions/Fixing shown NTS



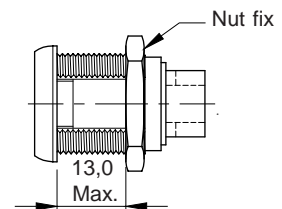
Square Face

Round Face

View on Barrel End



Fixing Details



Measurements shown in mm

Ordering Details

STEP 1 STEP 2 STEP 3 STEP 4

A / SR19 / KEY SERIES / FINISH + MOVEMENT / FIXING + - - (Round face)

A / SSX1 / KEY SERIES / FINISH + MOVEMENT / FIXING + - - (Square face)

Ordering example: A / S R 1 9 / 0 2 / 3 B / N - -

- ADVISE Keying requirements, e.g. keyed alike
- SPECIFY Material thickness if ordering spring clip fixing - applies to A/SR19 only

SPINDLE LOCK

NUT FIX AND QUICK FIX - ROUND AND SQUARE SLIMLINE FACES

Applications

This lock is ideal for use on multi-drawer cabinets.

Rotating the key results in 180° rotary spindle movement. The end of the spindle accepts a rod which drives a locking mechanism within the cabinet.

Specifications

- Zinc alloy diecast housing
- Double-entry keying
- Key removable in locked and unlocked positions
- Stainless steel capped barrel
- One pair of nickel-plated keys per lock



Code Information

KEY SERIES

- 07 500 combinations - non-master keying
- 08 500 combinations - master keying
- 17 2000 combinations - non-master keying
- 18 2000 combinations - master-keying

FINISH

- 3 Bright chrome

MOVEMENT

- B 180° clockwise or anti-clockwise to unlock

FIXING (Refer to page A105 for applications)

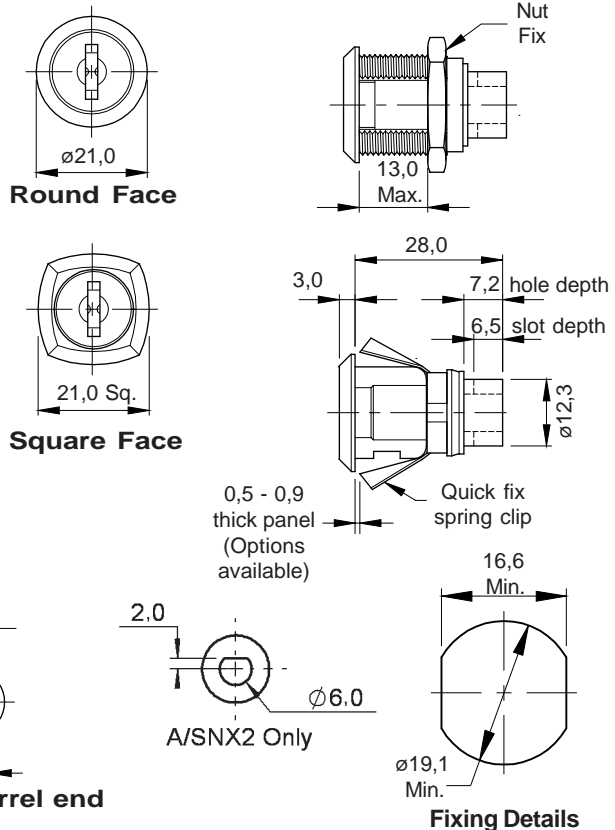
For use on A/SR20

- N Nut
- F Across flats spring clip
- R Across rounds spring clip

For use on A/SSX2 and A/SNX2

- Z Quick fix spring clip (oil-dipped finish)
- Y Quick fix spring clip (silver finish - Dacromat)

Dimensions/Fixing shown NTS



Ordering Details

Measurements shown in mm

- | STEP 1 | STEP 2 | STEP 3 | STEP 4 |
|--|---------------|--------|--------|
| A / SR20 / KEY SERIES / FINISH + MOVEMENT / FIXING + - - | (Round face) | | |
| A / SSX2 / KEY SERIES / FINISH + MOVEMENT / FIXING + - - | (Square face) | | |
| A / SNX2 / KEY SERIES / FINISH + MOVEMENT / FIXING + - - | (Square face) | | |

Ordering example: A / S S X 2 / 0 7 / 3 B / Z - -

- **ADVISE** Keying requirements, e.g. keyed alike
- **SPECIFY** Material thickness if ordering spring clip fixing - applies to A/SR20 only