

CAM LOCKS

RADIAL PIN TUMBLER

Applications

This lock is ideal for use on drawers and doors.

Rotating the key results in 90° rotary cam movement.

Specifications

- Zinc alloy diecast housing
- Bright chrome-plated finish
- Zinc-plated steel cam
- Brass nut fixing

Code Information

KEY SERIES

- M1** Non-master keying
- M2** Master keying - only available in 22 mm or 30 mm but not in C movement

FINISH

- 3** Bright chrome

MOVEMENT

- S** 90° clockwise to unlock - key removable in locked position only
- A** 90° anti-clockwise to unlock - key removable in locked position only
- C** 90° clockwise to unlock - key removable in both positions

FIXING

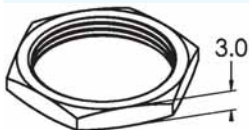
- N** Nut - metal fixing only
- W** Nut and pronged washer - wooden fixing only
- M** Optional wider nut available

CAM TYPE

-- Refer to page E2 for options

Nuts

Standard



3 mm

Optional

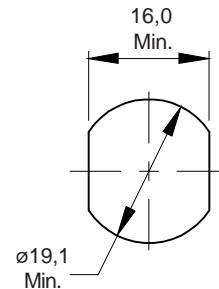
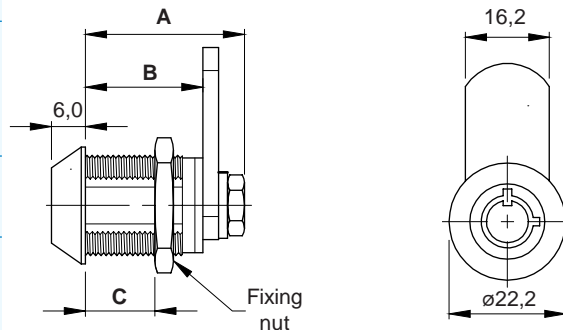


6 mm



A/C-22

Dimensions/Fixing shown NTS



Fixing Details

DIMENSIONS A, B AND C

CODE	DIM. A	DIM. B	DIM. C
C-17 (17 mm HSG)	26,5	17,0	8,3 max
C-22 (22 mm HSG)	31,5	22,0	13,2 max
C-30 (30 mm HSG)	38,5	30,0	21,5 max

Measurements shown in mm

Ordering Details

STEP 1

STEP 2

STEP 3

STEP 4

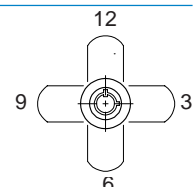
A / C-17/ M 1 / 3 + MOVEMENT / N + CAM TYPE (17 mm long housing)

A / C-22/ KEY SERIES / 3 + MOVEMENT / N + CAM TYPE (22 mm long housing)

A / C-30/ KEY SERIES / 3 + MOVEMENT / N + CAM TYPE (30 mm long housing)

Ordering example: A / C - 2 2 / M 1 / 3 S / N X 2

- **ADVISE** Cam position when locked, refer to drawing at right
- **ADVISE** Keying requirements, e.g. keyed alike



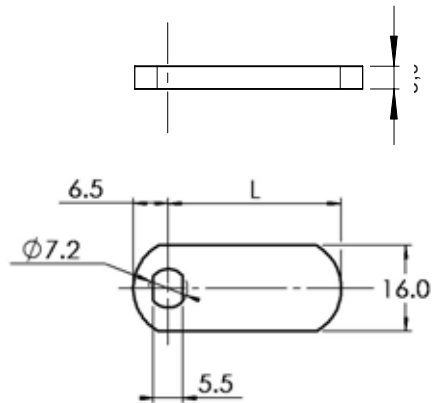
CAM - RADIAL PIN TUMBLER

HORIZONTAL AND VERTICAL

Horizontal Cam

The horizontal cam is used when locking at 3 o'clock or 9 o'clock.

HORIZONTAL CAMS	
CAM NO.	DIM. L
X1	25,0
X2	28,5
X3	30,0
X4	35,5
X5	38,0
X6	40,0
X7	45,0
X8	51,0

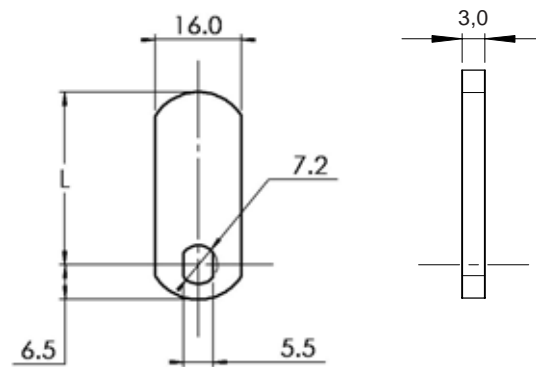


Dimensions/Fixing shown NTS

Vertical Cam

The vertical cam is used when locking at 6 o'clock or 12 o'clock.

VERTICAL CAMS	
CAM NO.	DIM. L
Y1	25,0
Y2	28,5
Y3	30,0
Y4	35,5
Y5	38,0
Y6	40,0
Y7	45,0
Y8	51,0



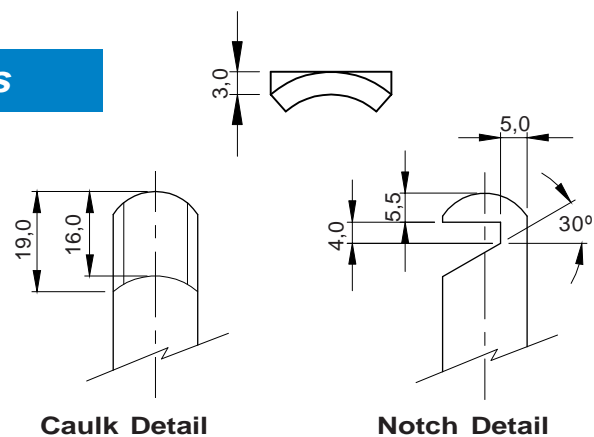
Measurements shown in mm

Notching and Caulking of Cams

The details specified apply to both horizontal and vertical cams.

When ordering cams, specify whether notching or caulking is required, otherwise a flat cam will be supplied.

For a notched cam, state direction to unlock, i.e. clockwise or anti-clockwise.



Caulk Detail

Notch Detail