

# C4 UNIVERSAL DRAWER BOLT

## Applications

This lock is suitable for all drawer and door applications.

It can be changed to suit either dead bolt or latch bolt, as required, and can also be changed to suit vertical or horizontal applications.

One single item can be assembled to all applications.

## Specifications

- Zinc alloy body, back plate, bolt - satin chrome finish
- Black bezel - 28 mm
- 5-pin C4 brass cylinder - availability to take 6-pin cylinder or 6-pin key



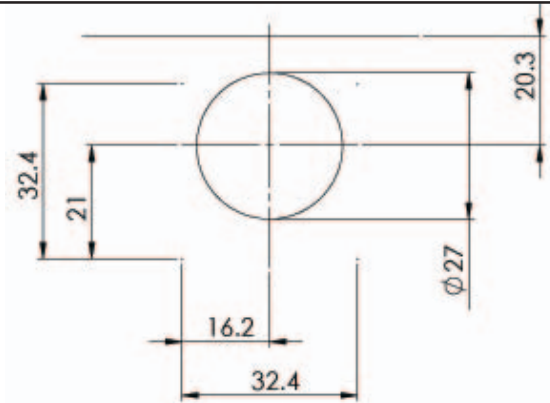
**I/PBC4**

## Code Information

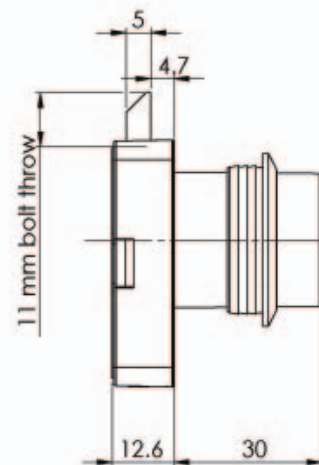
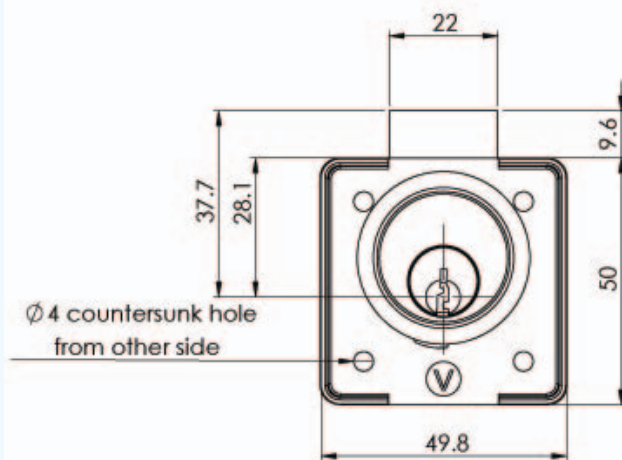
### KEYING DETAIL

- KA Keyed alike
- KD Keyed to differ

### Dimensions/Fixing shown NTS



**Fixing Hole Details**



## Ordering Details

Measurements shown in mm

**STEP 1                      STEP 2**  
**I / P B C 4 / KEYING DETAILS**  
**Ordering example: I / P B C 4 / K D**