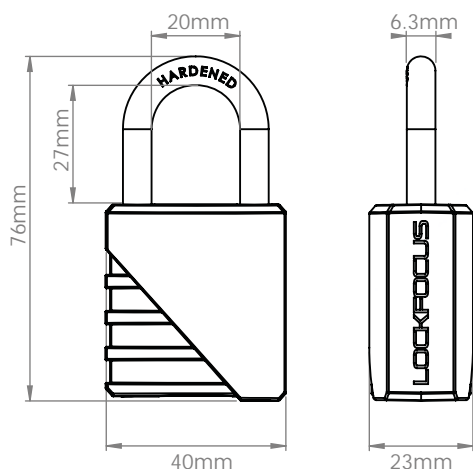


# LOCK FOCUS Padlock



The Lock Focus Padlock offers high security protection for a vast range of applications. Originally developed for Australia's specific key combinations as used by various authorities, the Lock Focus Padlock has been designed in Australia to the highest quality.

## APPLICATION

- For commercial, residential and recreational use

## KEYING

- Wafer cylinder key numbers available
- LF Barrel can be removable, mastered or non mastered
- Key Series - 02, 12 & 08/18
- Compatible with Lock Focus one key solution

## FEATURES

- Modern design available in Red powder coat and Chrome finish
- Customer specific key numbers available, (incl. CFA, MFB, ETSA)

## MATERIALS

- Offers secure protection with a hardened steel shackle
- Main body constructed from high pressure die cast zinc components



**LOCKFOCUS**

15-17 Futura Road, Keysborough, 3173  
Melbourne Victoria Australia

T: 61 3 9798 1322 F: 61 3 9706 3201  
[www.lockfocus.com.au](http://www.lockfocus.com.au)

**FREE PHONE: 1800 687 116**  
Email: [sales@lockfocus.com.au](mailto:sales@lockfocus.com.au)