

MULTI-DRAWER LOCK - 20 MM

FRONT MOUNT - ALUMINIUM LOCKING BAR

Applications

This lock is ideal for use on multi-drawer cabinets.
 Turning the key results in vertical travel of the locking bar.
 Locking tabs lock the individual drawers.

Specifications

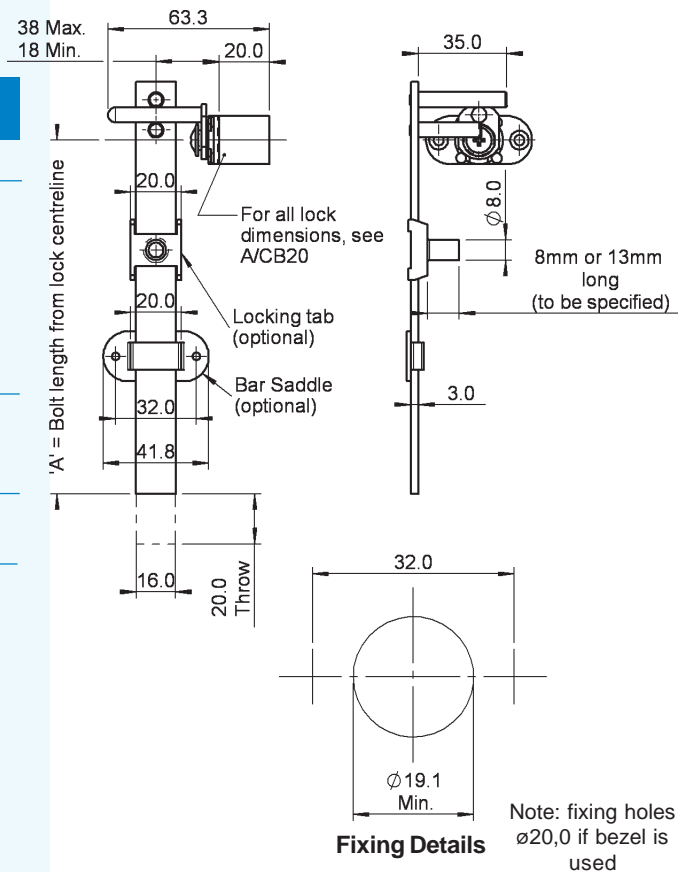
- Zinc alloy diecast adjustable locking tabs
- Extruded aluminium locking bar
- Key removable in locked and unlocked positions
- Optional bezel - refer to page **B101**
- Optional locking tabs
- Optional saddle clamps - plastic
- Optional anti-tilt saddle - plastic
- One pair of nickel-plated keys per lock



A/CB2A

Position of locking tabs can be adjusted by loosening the grub screw

Dimensions/Fixing shown NTS



Code Information

KEY SERIES

- 01 200 combinations - non-master keying
- 02 200 combinations - master keying
- 07 500 combinations - non-master keying
- 08 500 combinations - master keying
- 17 2000 combinations - non-master keying
- 18 2000 combinations - master keying

FINISH

- 3 Bright chrome
- 9 Nickel

MOVEMENT

- B 180° clockwise or anti-clockwise to unlock

LOCKING BAR TYPE

- 06A Dimension A - 600 mm
- 012A Dimension A - 1200 mm

Ordering Details

Measurements shown in mm

STEP 1 **STEP 2** **STEP 3** **STEP 4**
A / CB2A / KEY SERIES / FINISH + MOVEMENT / LOCKING BAR TYPE

Ordering example: **A / C B 2 A / 0 2 / 3 B / 0 6 A**

- **ADVISE** Keying requirements, e.g. keyed alike
- **SPECIFY** Number of saddles required, if any
- **SPECIFY** Number and lengths of tabs - 8 mm or 13 mm
- **SPECIFY** Anti-tilt device required

MULTI-DRAWER LOCK - 22 MM

SIDE MOUNT - ALUMINIUM LOCKING BAR

Applications

This lock is ideal for use on multi-drawer cabinets.

Turning the key results in vertical travel of the locking bar.

Locking tabs lock the individual drawers.

Specifications

- Zinc alloy diecast adjustable locking tabs
- Extruded aluminium locking bar
- Key removable in locked and unlocked positions
- Optional bezel - refer to page **B101**
- Optional locking tabs
- Optional saddle clamps - plastic
- Optional anti-tilt saddle - plastic
- One pair of nickel-plated keys per lock

Code Information

KEY SERIES

- 01 200 combinations - non-master keying
- 02 200 combinations - master keying
- 07 500 combinations - non-master keying
- 08 500 combinations - master keying
- 17 2000 combinations - non-master keying
- 18 2000 combinations - master keying

FINISH

- 3 Bright chrome
- 9 Nickel

MOVEMENT

- B 180° clockwise or anti-clockwise to unlock

BOLT TYPE

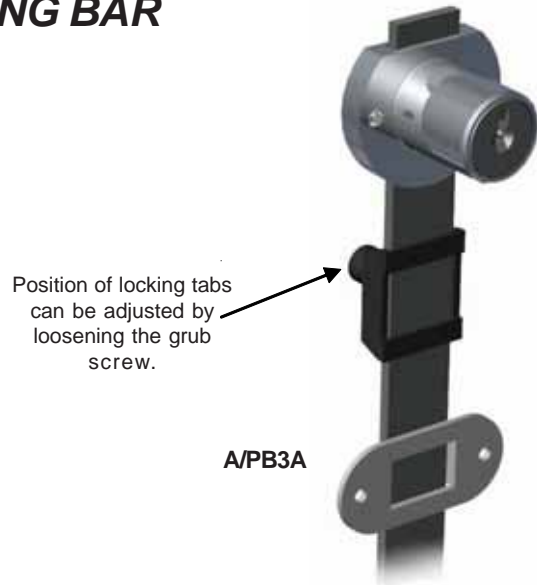
- 06A Dimension A - 600 mm
- 12A Dimension A - 1200 mm

Ordering Details

STEP 1 STEP 2 STEP 3 STEP 4
A / PB3A / KEY SERIES / FINISH + MOVEMENT / BOLT TYPE

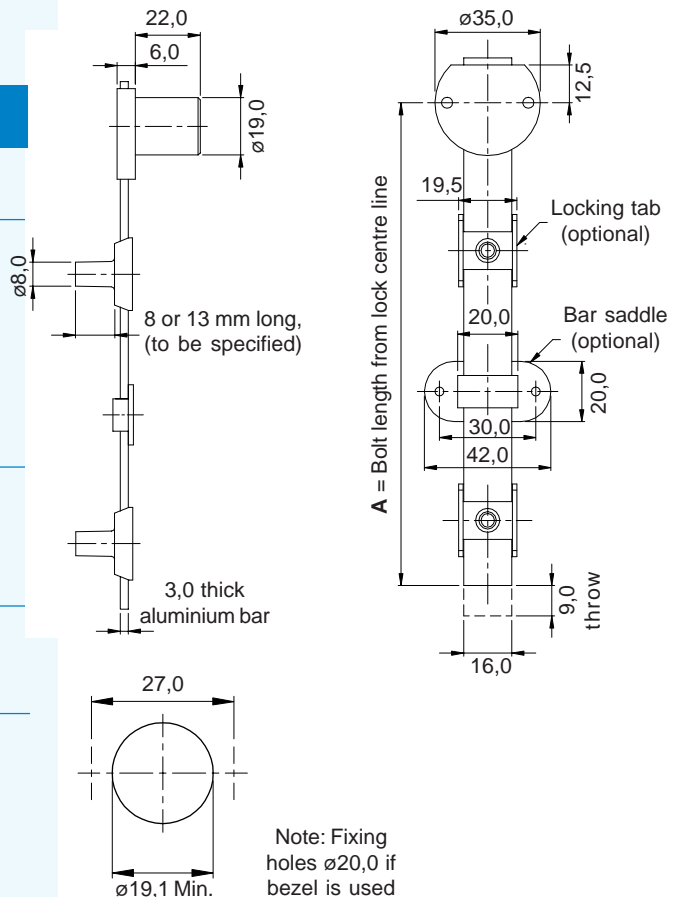
Ordering example: **A / P B 3 A / 0 2 / 3 B / 0 6 A**

- **ADVISE** Keying requirements, e.g. keyed alike
- **SPECIFY** Number of saddles required, if any
- **SPECIFY** Number and lengths of tabs - 8 or 13 mm
- **SPECIFY** Anti-tilt device required



A/PB3A

Dimensions/Fixing shown NTS



Fixing Details

Measurements shown in mm