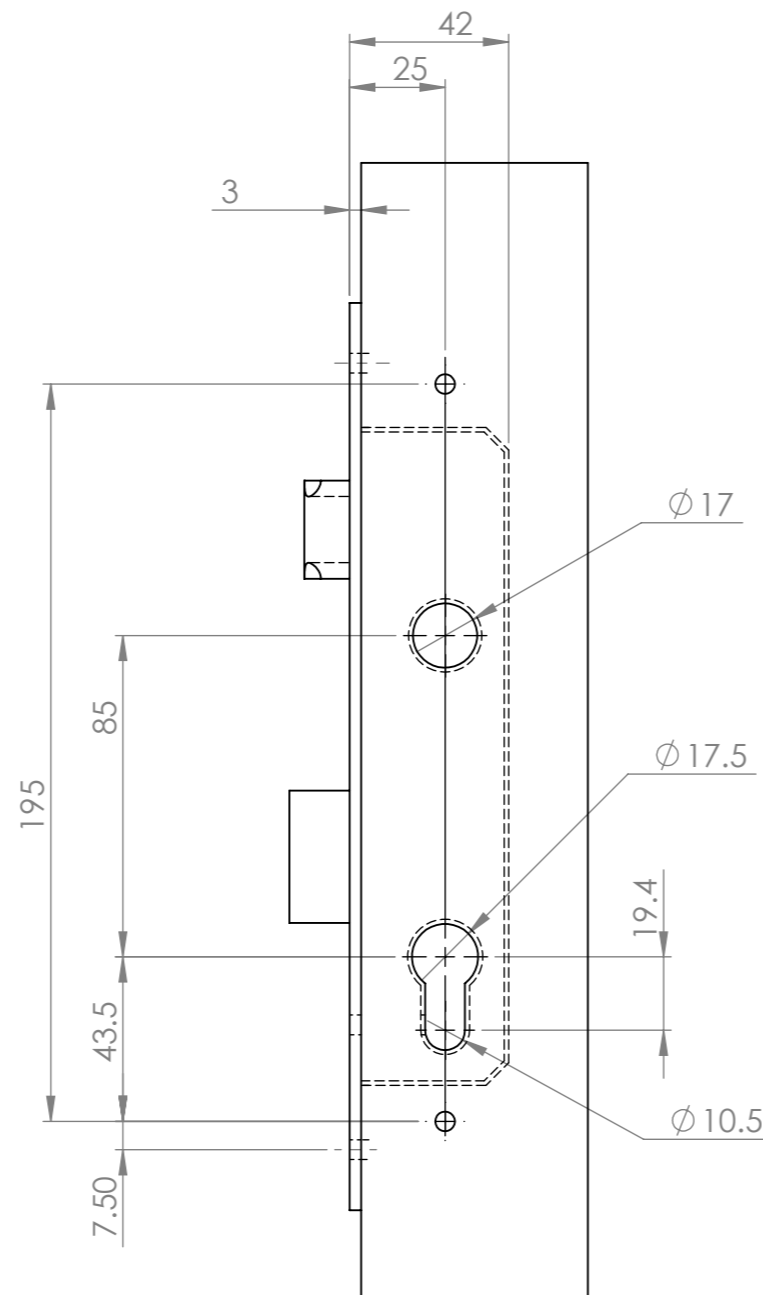
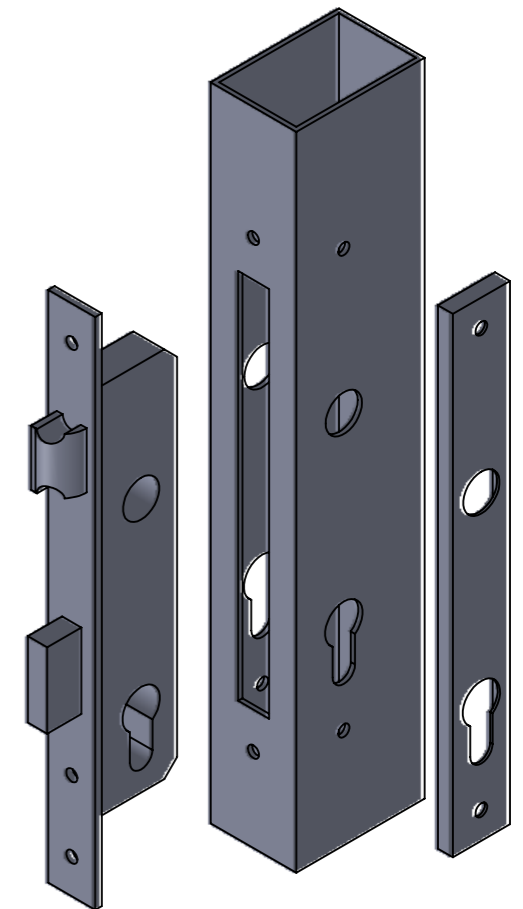


**SIDE VIEW  
EXTRUSION CUT OUT**



**FRONT VIEW  
EXTRUSION CUT OUT FOR SURFACE MOUNTED LOCK  
MORTICE LOCK SHOWN FOR REFERENCE ONLY**



<p>THIRD ANGLE PROJECTION</p>	MATERIAL	-	DRAWN	AS	02/04/15	<p>TITLE</p> <p>EXTRUSION CUT OUT TO SUIT COMMERCIAL LEVER SET-(PRESS VERSION)</p>	<p>THE INFORMATION CONTAINED IN THIS DRAWING IS CONFIDENTIAL &amp; MUST NOT BE MADE AVAILABLE TO ANY OTHER PERSON OR ORGANISATION WITHOUT WRITTEN PERMISSION FROM LOCK FOCUS PTY.LTD. THIS DRAWING &amp; COPIES OF IT ALWAYS REMAIN THE PROPERTY OF LOCK FOCUS PTY.LTD. &amp; MUST BE RETURNED ON REQUEST.</p>	SIZE	A3	SHEET	1 OF 1
	HEAT TREATMENT	-	CHECKED	PT	02/04/15			<p><b>LOCK FOCUS PTY. LTD.</b> 15-17 FUTURA RD KEYSBOROUGH VICTORIA 3173</p>	DRG. No.	<b>14214-003</b>	REV.
<p>DIMENSION 0 ± 0.2</p> <p>TOLERANCE: 0.0 ± 0.1</p> <p>0.00 ± 0.05</p>	FINISH	0,8 ✓	APPROVED	--	--						
TOL. ANGLE ± 0°30'		UNLESS OTHERWISE SPECIFIED		DIE No	--						
				SCALE	(not to scale)	<b>LOCKFOCUS</b>					