

DISPLAY CABINET LOCK

FOR SLIDING GLASS DOORS

Applications

This lock is designed to fit an extruded aluminium bottom rail for a glass display sliding door.

It is fitted by sliding it onto the end of the extrusion and tightening the grub screw.

Pushing the barrel in results in a 7 mm diameter pin projecting 12 mm from the back of the lock (note: no key is required when locking). To retract the pin, insert a key and turn. The barrel and pin, being spring-loaded, will pop out.

Specifications

- Zinc alloy diecast housing
- Key removable in locked or unlocked positions
- Stainless steel capped barrel
- Zinc alloy die cast projection pin

Code Information

KEY SERIES

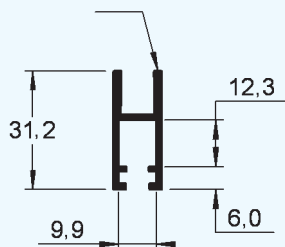
- 01 200 combinations - non-mastered
- 02 200 combinations - mastered
- 07 500 combinations - non-master keying
- 08 500 combinations - master keying
- 17 2000 combinations - non-master keying
- 18 2000 combinations - master-keying

Also available in Barrel Exchange

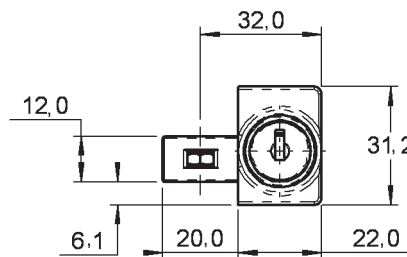
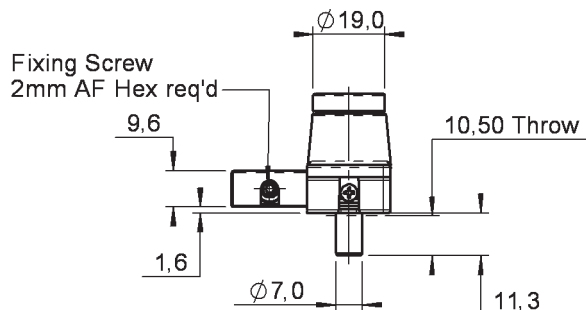
FINISH

- 3 Bright chrome

Typical Extrusion profile



Dimensions/Fixing shown NTS



Ordering Details

STEP 1 STEP 2 STEP 3
A / PP6L / KEY SERIES / 3 - / - - - (Left-hand version)
A / PP6R / KEY SERIES / 3 - / (Right-hand version)
Ordering example: A / P P 6 L / 0 2 / 3 - / - - -

- **ADVISE** Keying requirements, e.g. keyed alike

Measurements shown in mm

MINI HOOK LOCK

Applications

This lock is suitable for metal sliding doors.

Rotating the key 180° engages the hook bolt.

Specifications

- Zinc alloy barrel with one pair of nickel-plated keys per lock
- Body, hook assembly - ABS black finish
- Lock Focus barrel exchange compatible
- Snap-in fixing to materials 0.6 mm to 0.9 mm thicknesses



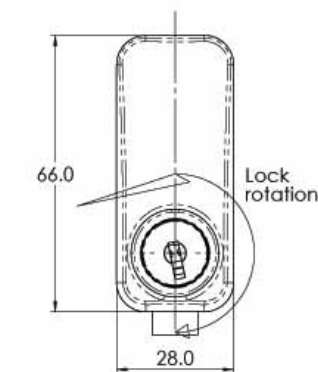
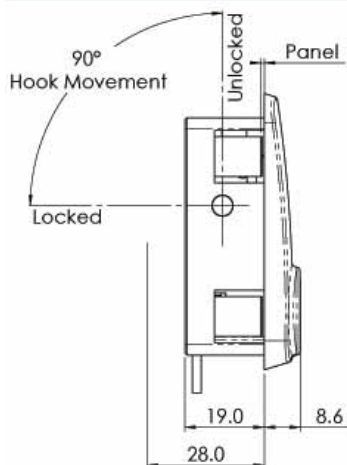
A/PH2-1

Code Information

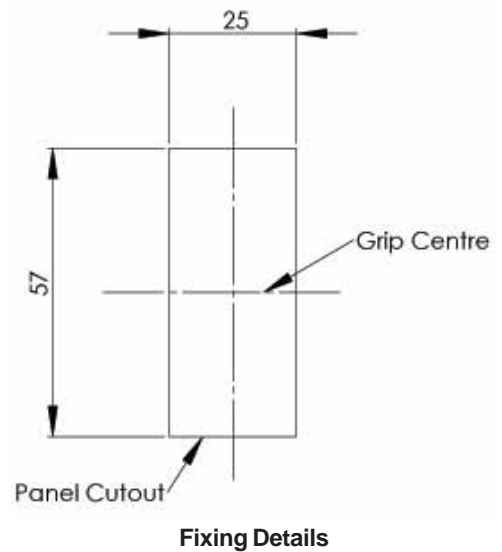
Dimensions/Fixing shown NTS

KEY SERIES

- R2 200 combinations - master keying
- RE 500 combinations - master keying
- RX 500 combinations - master keying
- XT 2000 combinations - master keying



Scale 1:1
As viewed in Locked condition



Fixing Details

Ordering Details

Measurements shown in mm

STEP 1 STEP 2

A / P H 2 - / KEY SERIES / 6 B

Ordering example: **A / P H 2 - / R 2 / 6 B**

LOCKER & CUPBOARD LOCK

6 MM NOZZLE LENGTH

Applications

This lock is ideal for use on lockers and cupboards.

Rotating the key 360° results in 6.4 mm bolt movement.

The lock fits into a 16 mm diameter hole, from the rear of a panel.

Specifications

- Zinc alloy diecast housing - natural finish
- Pressed steel back plate - zinc-plated
- Zinc alloy diecast bolt - natural finish
- Zinc alloy diecast barrel - clear zinc-plated
- 1800 combinations - master keying only
- 360° clockwise key rotation to unlock
- Key removable In locked and unlocked positions
- One pair of nickel-plated keys per lock



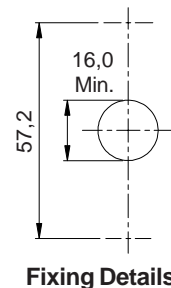
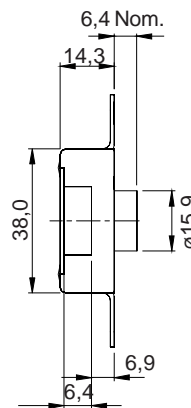
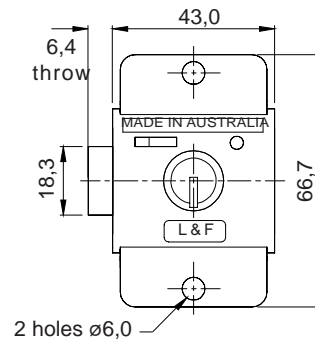
A/PN06

Dimensions/Fixing shown NTS

Code Information

KEY SERIES

ZA 1800 combinations - master keying



Fixing Details

Ordering Details

STEP 1 STEP 2 STEP 3 STEP 4

A / PN06 / ZA / 0 - / - - -

Ordering example: A / P N 0 6 / Z A / 0 - / - - -

Measurements shown in mm