

BIN LOCK

MANUAL-OPENING

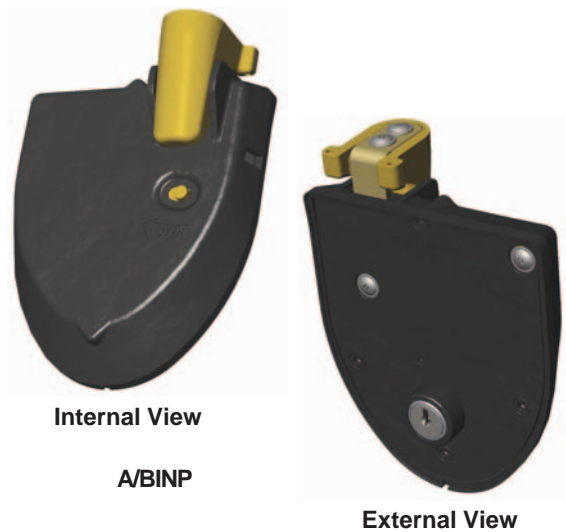
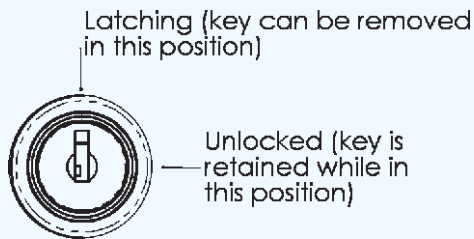
Applications

This lock is suitable for use on a wheelie bin and operated by a key.

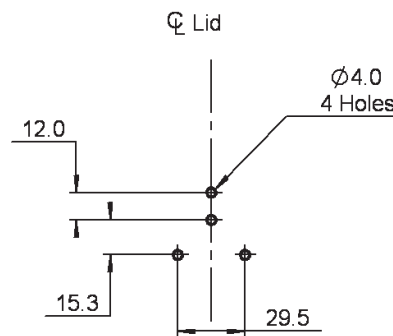
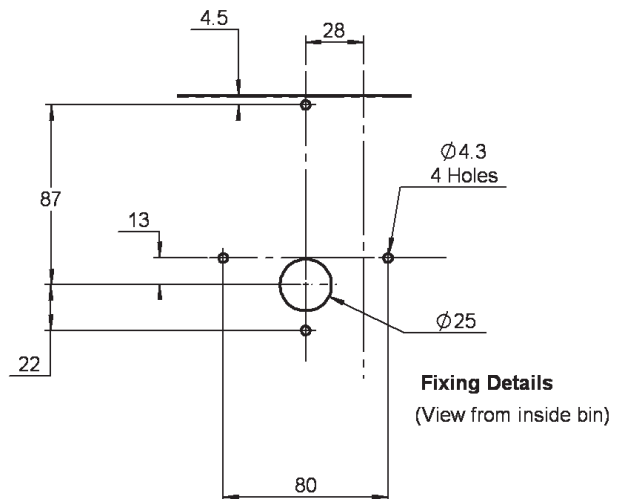
Turning the key to the unlocked position, the lid can be opened. The key is held captive while in this position. With the lock in the latched position, the key may be removed and the lid will be locked shut upon closing.

Specifications

- Glass-reinforced nylon body
- Stainless steel capped barrel
- Slam-locking action when the key is removed
- Glass-reinforced nylon catch pin shroud
- Stainless steel security Torx post fixing screws
- Installation templates available



Dimensions/Fixing shown NTS



Measurements shown in mm

Code Information

KEY SERIES

Any current LF key series available, except CL

OPERATION OF LOCK

F Fixed (manual)

MOVEMENT

S Key held captive in unlocked position

BIN TYPE

- NYL Nylex
- OSG OSGS
- SUL SULO

Ordering Details

STEP 1 STEP 2 STEP 3 STEP 4
A / B I N P / KEY SERIES / OPERATION OF LOCK + KEY MOVEMENT / BIN TYPE

Ordering example: A / B I N P / 0 1 / F S / N Y L

- ADVISE Keying requirements, e.g. keyed alike