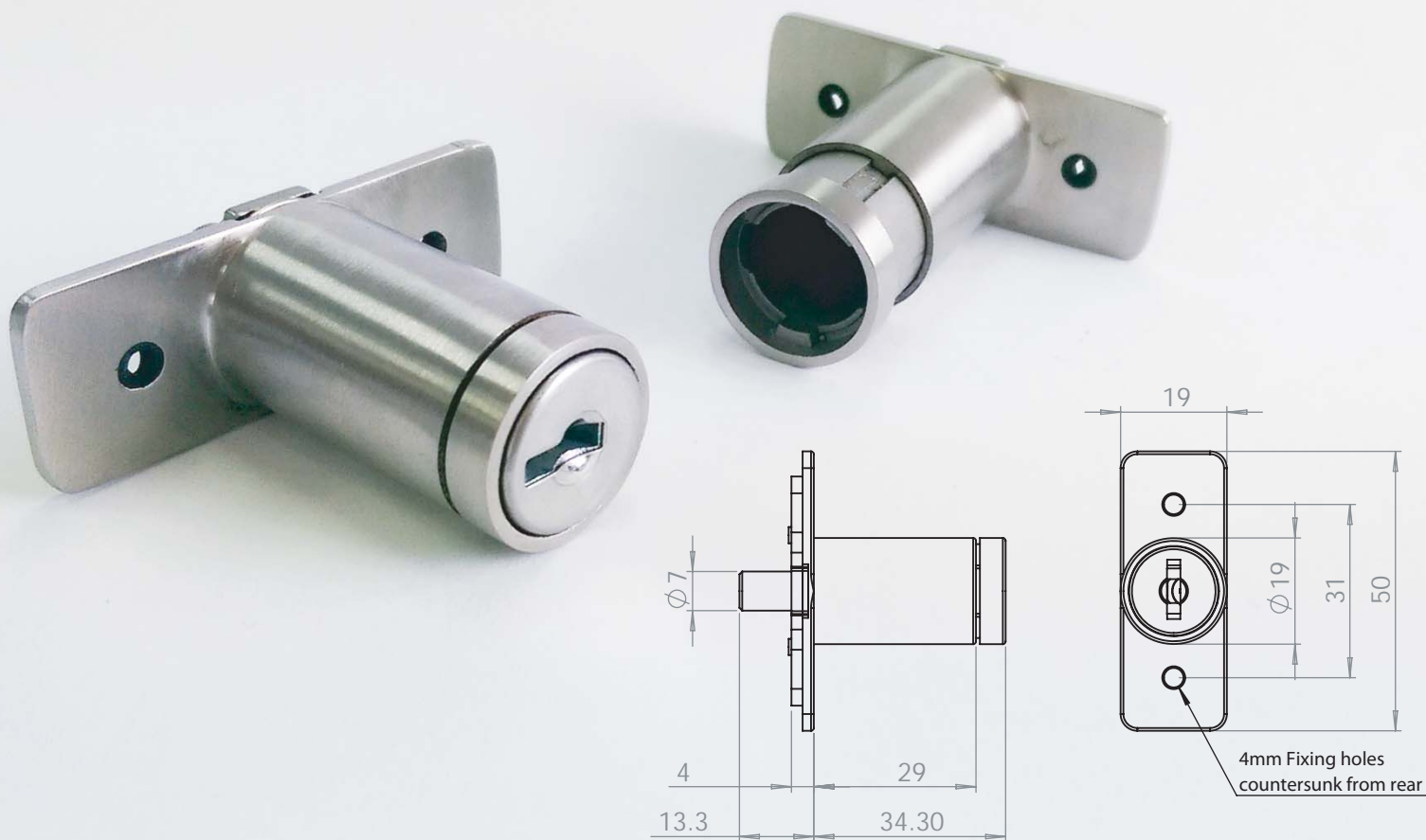


# Stainless Steel PP5



The Lock Focus Stainless Steel PP5 offers a premium upgrade from the traditional PP5. Cast from marine grade 316 stainless steel, this fully sealed locking product comes with an IP66 rating, making it suitable for both metal and wooden furniture in the most exposed conditions.

## FEATURES

- 9mm pin throw (optional extension pin)
- 45° Clockwise movement to unlock
- Dust and Water ingress rating of IP66
- 19mm maximum width
- Standard  $\varnothing 7$ mm SS pin

## KEYING

- Wafer cylinder key numbers available
- LF Barrel can be removable, mastered or non mastered
- Compatible with Lock Focus one key solution

## APPLICATION

- For wooden and metal furniture applications
- Installation process must include sealing of mounting holes to achieve IP66 rating

## MATERIALS

- Main body constructed from 316 Stainless Steel
- Stainless steel capped barrel



**LOCKFOCUS**

15-17 Futura Road, Keysborough, 3173  
Melbourne Victoria Australia  
T: 61 3 9798 1322 F: 61 3 9706 3201  
[www.lockfocus.com.au](http://www.lockfocus.com.au)

**FREE PHONE: 1800 687 116**  
Email: [sales@lockfocus.com.au](mailto:sales@lockfocus.com.au)