

T SHAPE HANDLE

FRONT AND REAR FIXING

Applications

This lock is ideal for use on garage doors.

An 8 mm square drive is operated by unlocking, then rotating the handle.

There are two versions: a rear fix and a front fix. The rear fix has 3/16" W tapped holes concealed underneath the rose. The front fix is designed to be used with 3/16" coach bolts fitted from the front of the rose.

Specifications

- Zinc alloy diecast handle and rose
- Chrome-plated finish
- One pair of keys per lock

Code Information

KEY SERIES

- Non-locking handle
- 01 200 combinations - non-master keying
- 02 200 combinations - master keying
- 11 2000 combinations - non-master keying
- 12 2000 combinations - master keying
- CL Special combinations
- ES Special combinations
- FS Special combinations

FINISH

- 3 Bright chrome

MOVEMENT

- B Handle lockable at both positions 180°
 - A and S Handle lockable at both positions 90°
 - C 90° clockwise rotation of handle to unlock
- Key removable in both positions

SPINDLE

- Refer to page D11

CAM TYPE

- Refer to page D10

Note: Spindles and movements can be changed by customer - refer to page D11

Ordering Details

STEP 1 **STEP 2** **STEP 3** **STEP 4**
A / HG-R / KEY SERIES / FINISH + MOVEMENT / SPINDLE + CAM TYPE (Rear fix)
A / HG-F / KEY SERIES / FINISH + MOVEMENT / SPINDLE + CAM TYPE (Front fix)

Ordering example: A / H G - R / 0 1 / 3 B / E - -

- **ADVISE** Keying requirements, e.g. keyed alike

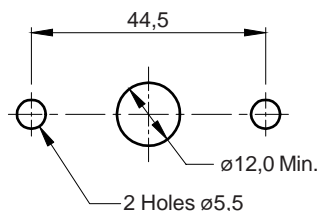
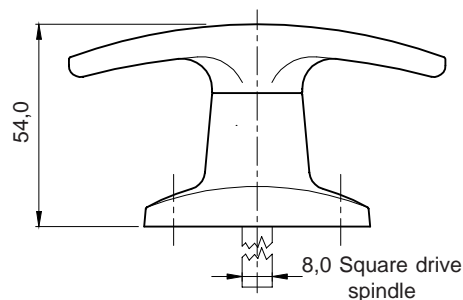
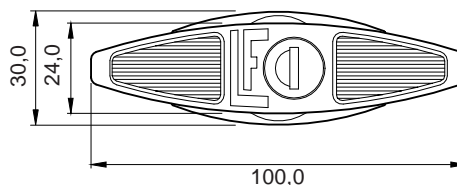


A/HG-F
Front fix



A/HG-R
Rear fix

Measurements shown in mm



Fixing Details

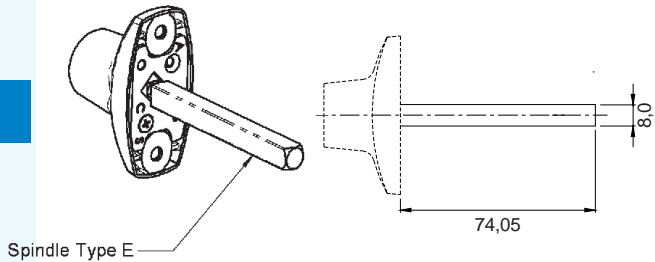
Dimensions/Fixing shown NTS

HANDLE SPINDLES AND CAMS

FOR T SHAPE HANDLES

Spindle Type E

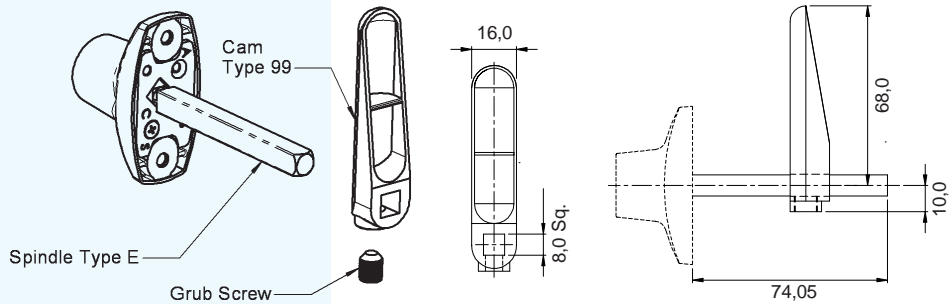
Spindle type E is a standard 8 mm square drive which is 75 mm long from the base of the lock.



Spindle Type E and Cam Type 99

The cam type 99 is secured to spindle type E by an M8 grub screw.

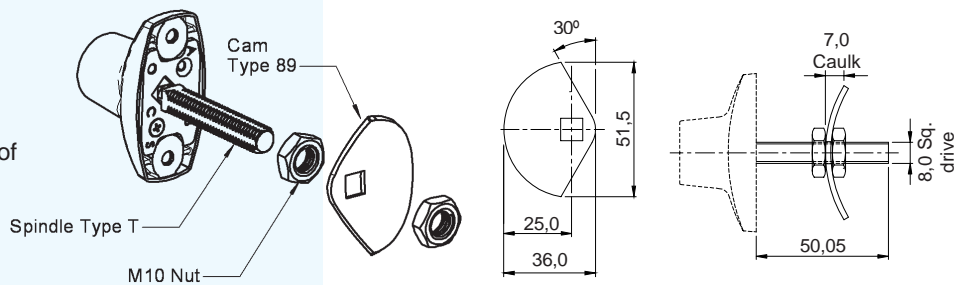
The distance from the base of the rose to the cam can be adjusted by loosening the grub screw and sliding the cam along the spindle.



Spindle Type T and Cam Type 89

The cam type 89 is fixed to spindle type T by being sandwiched between two M10 nuts.

The distance from the base of the rose to the cam can be adjusted by loosening the nuts and sliding the cam along the spindle.



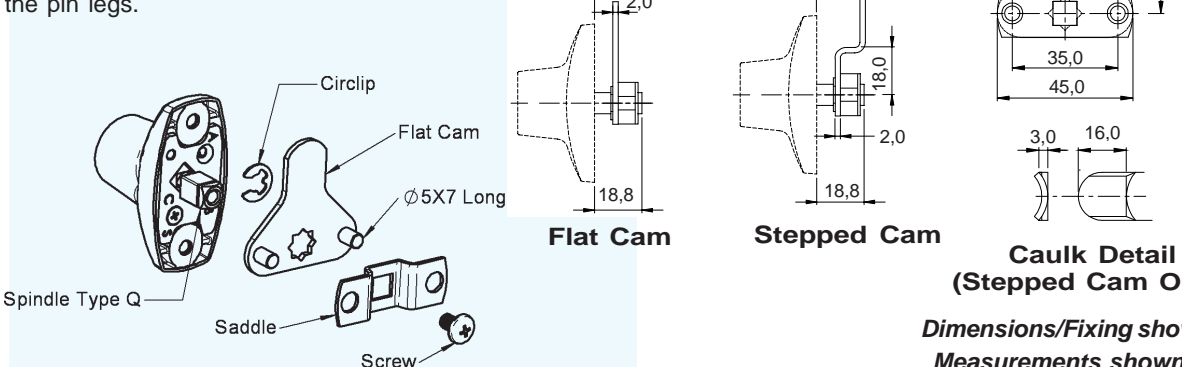
Spindle Type Q and 3-Point Locking Cams

Spindle type Q is designed to be used with a range of 3-point locking cams (refer to table).

The 3-point locking cam has two versions: a flat cam and a stepped cam. The flat cams are spaced at 10 mm from the base of the lock. The stepped cams are spaced at 13.2 mm to 26 mm from the base of the lock, depending on the type.

The 3-point locking cam is designed to be used with locking rods. To fit the locking rods, the saddle must be removed. To do this, remove the split pin and take off the saddle. Fit the locking bars, then refit the saddle. Feed the split pin through the hole in the spindle, then spread the pin legs.

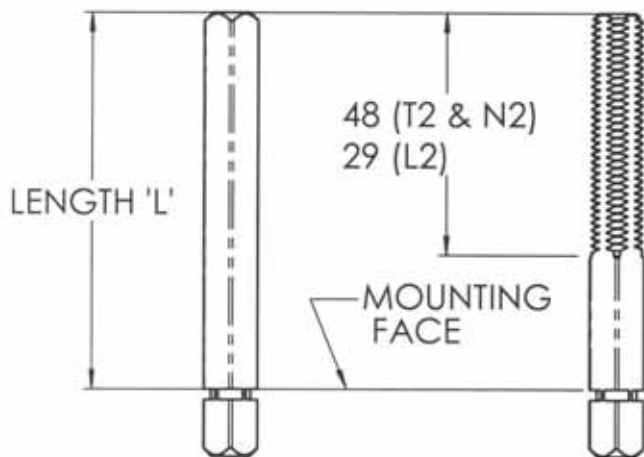
SPINDLE TYPE	CAM TYPE	DIM L	DIM B (FLAT)	DIM C (STEPPED)	END DETAIL
Q	71	37	10,0		FLAT
Q	72	65	10,0		FLAT
Q	73	63.5		13,2	CAULKED
Q	74	57.5		19,5	CAULKED
Q	75	54.5		22,7	CAULKED
Q	76	51		26,0	CAULKED



Dimensions/Fixing shown NTS
Measurements shown in mm

LARGE T HANDLE A/HG

ASSEMBLY INSTRUCTIONS



PLAIN SPINDLES

THREADED SPINDLES

PLAIN NO	THREADED	LENGTH L
T/SPIN/B2	T/SPIN/L2	31.5
T/SPIN/M2		39.5
T/SPIN/C2		43.5
T/SPIN/D2	T/SPIN/T2	50.5
T/SPIN/E2		74.5
T/SPIN/H2		100.5
T/SPIN/F2		136.5
	T/SPIN/N2	62.5

ASSEMBLY PROCEDURE

1. Assemble handle to rose and rotate clockwise over 1/4 turn.
2. Assemble detent bush locating over lug on handle shaft.
3. Assemble spindle to retainer plate by inserting into centre hole and moving spindle sideways to locate in groove.
4. Assemble retainer plate/spindle to handle/rose by inserting spindle into square hole in detent bush and locating retainer plate in rose, with location hole aligned with boss.
5. Insert screw into one of the 3 holes to suit movement required and tighten maximum torque 1.0 Nm.
6. Check function and assemble barrel to handle as required.

