

SLIDING DOOR LOCK

PUSH-IN - 12 MM PIN THROW

Applications

This lock is ideal for use on sliding doors.

Pushing the barrel in results in a 7 mm diameter pin extending from the back of the lock (note: no key is required when locking). To retract the pin, insert a key and turn 45° clockwise. The barrel and pin, being spring-loaded, will pop out.

The lock fits into a 19 mm diameter hole from the rear of a panel.

Specifications

- Zinc alloy diecast housing
- Single-entry keying - 01 and 02
- Double-entry keying - 07, 08, 17 and 18
- Key removable in locked and unlocked positions
- Zinc alloy diecast pin
- Stainless steel capped barrel
- Optional bezel - refer to page **B101**
- Optional brass extension piece, diameter 7 x 6 mm long
- One pair of nickel-plated keys per lock

Code Information

KEY SERIES

- 01 200 combinations - non-master keying
- 02 200 combinations - master keying
- 07 500 combinations - non-master keying
- 08 500 combinations - master keying
- 17 2000 combinations - non-master keying
- 18 2000 combinations - master keying

FINISH

- 3 Bright chrome
- 9 Nickel

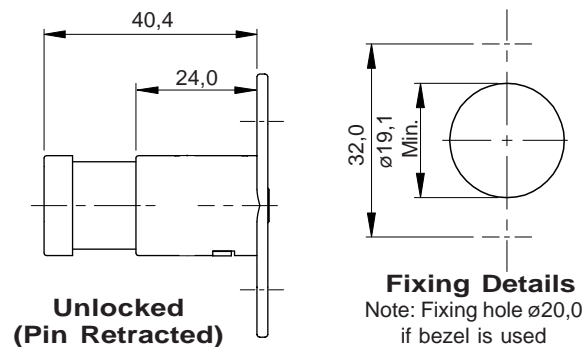
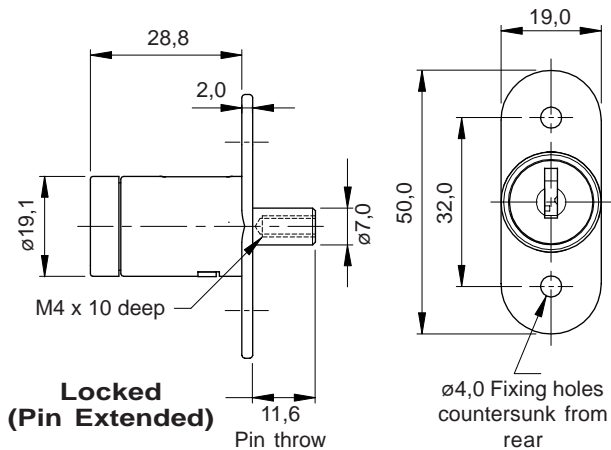
PIN TYPE

- Standard, as per drawing
- E Optional extension piece - diameter 7 x 6 mm long



A/PP5-

Dimensions/Fixing shown NTS



Measurements shown in mm

Ordering Details

STEP 1 STEP 2 STEP 3 STEP 4
A / PP5- / KEY SERIES / FINISH + - / - - + PIN TYPE

Ordering example: A / P P 5 - / 0 2 / 3 - / - -

- ADVISE Keying requirements, e.g. keyed alike

SLIDING DOOR LOCK

PUSH-IN - 11 MM PIN THROW

Applications

This lock is ideal for use on sliding doors.

Pushing the barrel in results in an 8 mm diameter pin extending from the back of the lock (note: no key is required when locking). To retract the pin, insert a key and turn 90° clockwise. The barrel and pin, being spring-loaded, will pop forward.

The lock fits into a 22.1 mm diameter hole from the rear of a panel.

Specifications

- Zinc alloy diecast housing
- Key removable in locked and unlocked positions
- Zinc alloy diecast pin
- Stainless steel capped barrel
- Optional bezel - refer to page B101
- Optional brass extension piece, diameter 8 x 6 mm long
- One pair of nickel-plated keys per lock

Code Information

KEY SERIES

- 01 200 combinations - non-master keying
- 02 200 combinations - master keying

FINISH

- 3 Bright chrome

MOVEMENT

- S 90° clockwise to unlock

FIXING

- Customer to supply

PIN TYPE

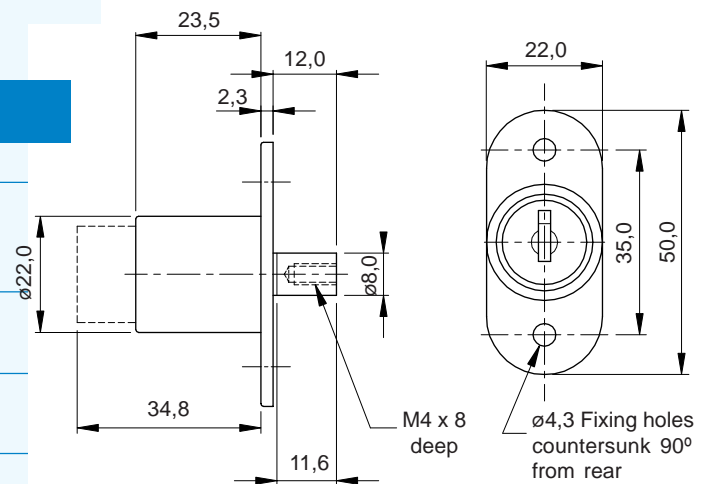
- Standard, as per drawing
- E Optional extension piece - diameter 8 x 6 mm long



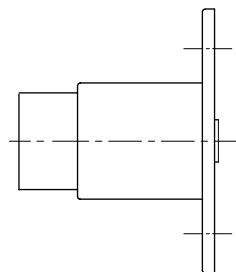
A/PP2- (Locked)

A/PP2- (Unlocked)

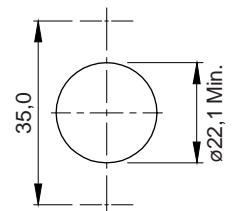
Dimensions/Fixing shown NTS



Locked (Pin Extended)



Unlocked (Pin Retracted)



Fixing Details

Note: Fixing hole $\varnothing 20,0$ if bezel is used

Ordering Details

Measurements shown in mm

STEP 1 STEP 2 STEP 3 STEP 4
A / PP2- / KEY SERIES / FINISH + MOVEMENT / - - + PIN TYPE

Ordering example: **A / P P 2 - / 0 2 / 3 S / - - -**

- **ADVISE** Keying requirements, e.g. keyed alike

SLIDING DOOR LOCK

WOOD, METAL OR GLASS FIXING

Applications

This lock is ideal for use on sliding doors.

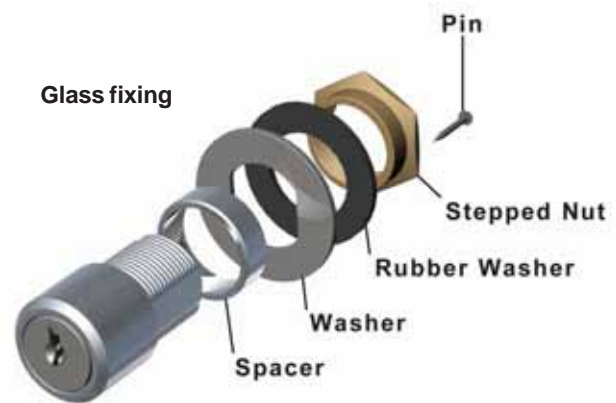
Rotating the key 180° results in 7.5 mm long pin extending or retracting.

Three versions of this lock allow fixing to wood, metal or glass.

Wooden fixing consists of two screws which secure the lock from the rear and prevent the lock from spinning.

Metal fixing comprises a brass nut. A punched hole detail prevents the lock from spinning.

Glass fixing consists of a spacer, steel washer, rubber washer, stepped nut and pin. A glass panel is sandwiched between the rubber washer and the stepped nut. The pin is used to secure the nut to the housing.



Specifications

- Zinc alloy diecast housing
- Key removable in locked and unlocked positions
- Stainless steel capped barrel
- One pair of nickel-plated keys per lock

Code Information

KEY SERIES

- 01 200 combinations - non-master keying
- 02 200 combinations - master keying

FINISH

- 3 Bright chrome

MOVEMENT

- B 180° clockwise to unlock

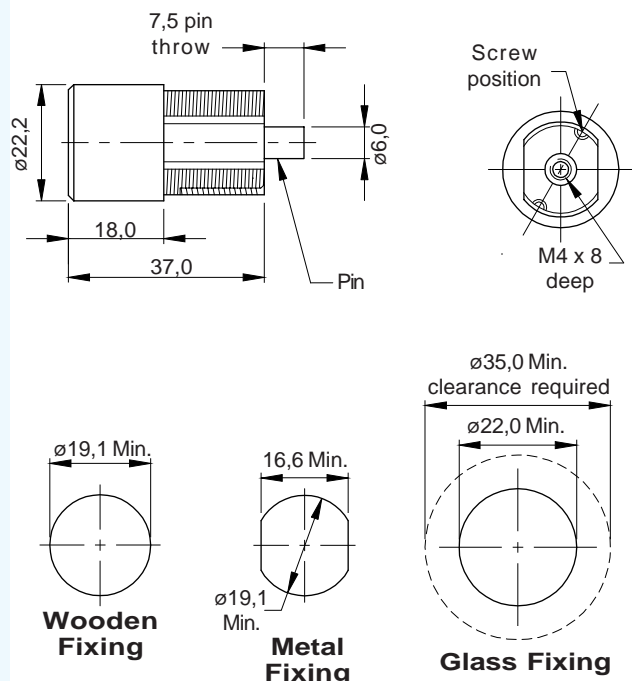
FIXING

- P- Wood - two screws supplied
- N- Metal - brass nut supplied
- G3 10 mm thick glass
- G6 8 mm thick glass
- G7 6 mm thick glass

EXTENSION PIECE

- No extension piece
- E Optional extension piece - diameter 6 x 5 mm long

Dimensions/Fixing shown NTS



Measurements shown in mm

Ordering Details

STEP 1 **STEP 2** **STEP 3** **STEP 4**
A / PP1 - / KEY SERIES / FINISH + MOVEMENT / FIXING + BOLT TYPE

Ordering example: A / P P 1- / 0 2 / 3 B / P - -

- **ADVISE** Keying requirements, e.g. keyed alike