

SMALL T SHAPE HANDLE

FRONT AND REAR FIXING

Applications

This lock is ideal for use on doors.

An 8 mm square drive is operated by unlocking, then rotating the handle.

There are two versions: rear fix and front fix. The rear fix has tapped holes concealed underneath the rose. The front fix is designed to be used with 3/16" coach screws fitted from the front of the rose.

See page **A24** for assembly details.

Specifications

- Zinc alloy diecast handle and rose
- Chrome-plated finish
- One pair of nickel-plated keys per lock

Code Information

KEY SERIES

- Non-locking handle
- 01** 200 combinations - non-master keying
- 02** 200 combinations - master keying
- 11** 2000 combinations - non-master keying
- 12** 2000 combinations - master keying
- CL** Special combinations only
- FS** Special combinations only

MOVEMENT

- B** 180° rotation of handle to unlock
- S** 90° clockwise rotation of handle to unlock
- A** 90° anti-clockwise rotation of handle to unlock
- C** 90° clockwise rotation of handle to unlock - key removable in locked and unlocked positions

FINISH

- 3** Bright Chrome

CAM TYPE

- Refer to page **A104**

Ordering Details

STEP 1 **STEP 2** **STEP 3** **STEP 4**
A / HT8R / KEY SERIES / 3 + MOVEMENT / SPINDLE + CAM TYPE (Rear fix)
A / HT8F / KEY SERIES / 3 + MOVEMENT / SPINDLE + CAM TYPE (Front fix)

Ordering example: **A / H T 8 R / 0 1 / 3 B / E --**

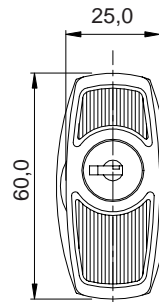
- **ADVISE** Keying requirements, e.g. keyed alike

A/HT8R
Rear Fix

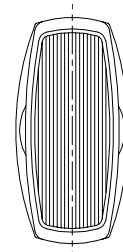


A/HT8F
Front Fix

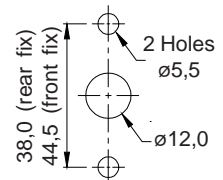
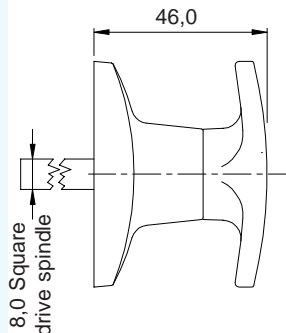
Dimensions/Fixing shown NTS



Locking Handle



Non-Locking Handle

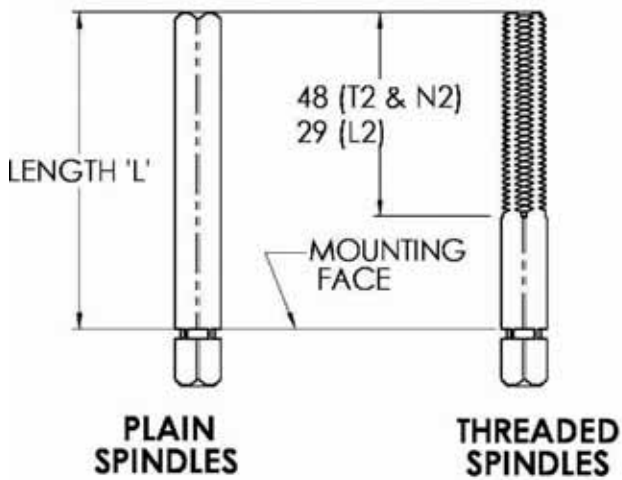


Fixing Details

Measurements shown in mm

SMALL T HANDLE A/HT

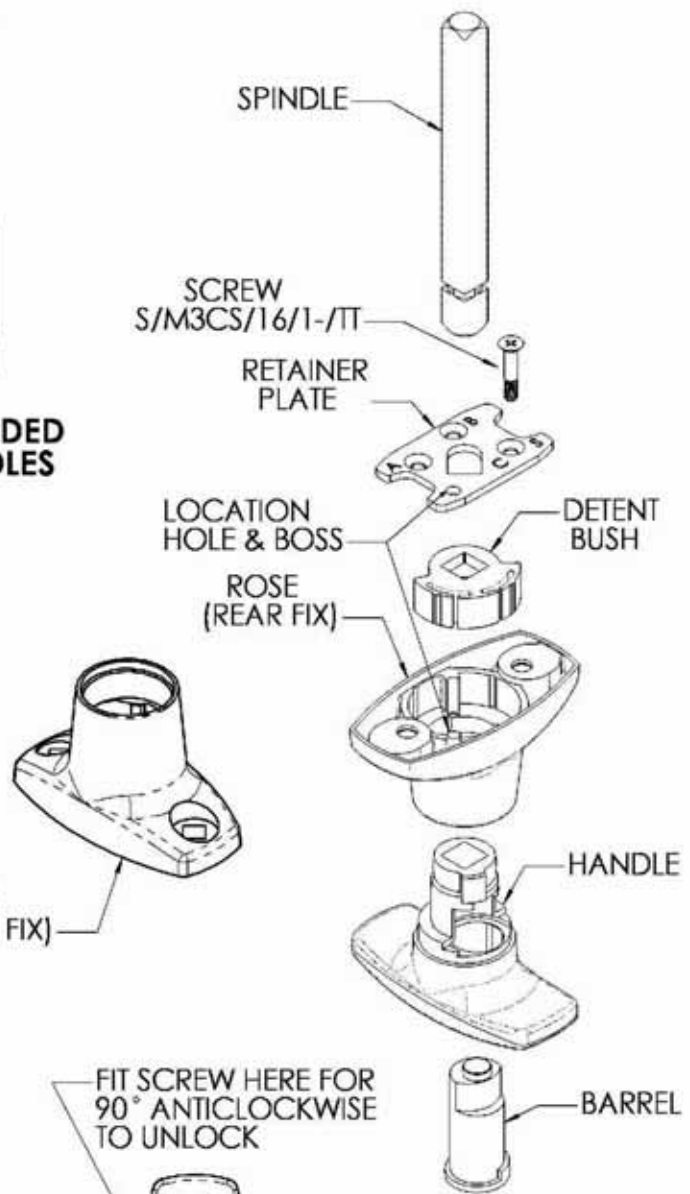
ASSEMBLY INSTRUCTIONS



PLAIN No	THREADED	LENGTH 'L'
T/SPIN/B2	T/SPIN/L2	31.5
T/SPIN/M2		39.5
T/SPIN/C2		43.5
T/SPIN/D2	T/SPIN/T2	50.5
T/SPIN/E2		74.5
T/SPIN/H2		100.5
T/SPIN/F2		136.5
	T/SPIN/N2	62.5

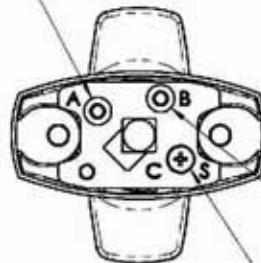
ASSEMBLY PROCEDURE:

1. ASSEMBLE HANDLE TO ROSE AND ROTATE CLOCKWISE OVER 1/4 TURN.
2. ASSEMBLE DETENT BUSH LOCATING OVER LUG ON HANDLE SHAFT.
3. ASSEMBLE SPINDLE TO RETAINER PLATE BY INSERTING INTO CENTRE HOLE AND MOVING SPINDLE SIDEWAYS TO LOCATE IN GROOVE.
4. ASSEMBLE RETAINER PLATE / SPINDLE TO HANDLE / ROSE BY INSERTING SPINDLE INTO SQUARE HOLE IN DETENT BUSH AND LOCATING RETAINER PLATE IN ROSE WITH LOCATION HOLE ALIGNED WITH BOSS.
5. INSERT SCREW INTO ONE OF THE 3 HOLES TO SUIT MOVEMENT REQUIRED AND TIGHTEN MAXIMUM TORQUE 1.0 Nm
6. CHECK FUNCTION AND ASSEMBLE BARREL TO HANDLE AS REQUIRED.



ROSE (FRONT FIX)

FIT SCREW HERE FOR 90° ANTICLOCKWISE TO UNLOCK



FIT SCREW HERE FOR 180°

FIT SCREW HERE FOR 90° CLOCKWISE TO UNLOCK

KEY LOCKABLE IN ALL POSITIONS

LEVER HANDLE

FRONT AND REAR FIXING

Applications

This lock is ideal for use on doors.

An 8 mm square drive is operated by unlocking, then rotating the handle.

There are two versions: rear fix and front fix. The rear fix has tapped holes concealed underneath the rose. The front fix is designed to be used with 3/16" coach screws fitted from the front of the rose.

See page **A26** for assembly details.

Specifications

- Zinc alloy diecast handle and rose
- Chrome-plated finish
- One pair of nickel-plated keys per lock

Code Information

KEY SERIES

- Non-locking handle
- 01** 200 combinations - non-master keying
- 02** 200 combinations - master keying
- 11** 2000 combinations - non-master keying
- 12** 2000 combinations - master keying
- CL** Special combinations only
- FS** Special combinations only

MOVEMENT

- B** 180° rotation of handle to unlock
- S** 90° clockwise rotation of handle to unlock
- A** 90° anti-clockwise rotation of handle to unlock
- C** 90° clockwise rotation of handle to unlock - key removable in locked and unlocked positions

FINISH

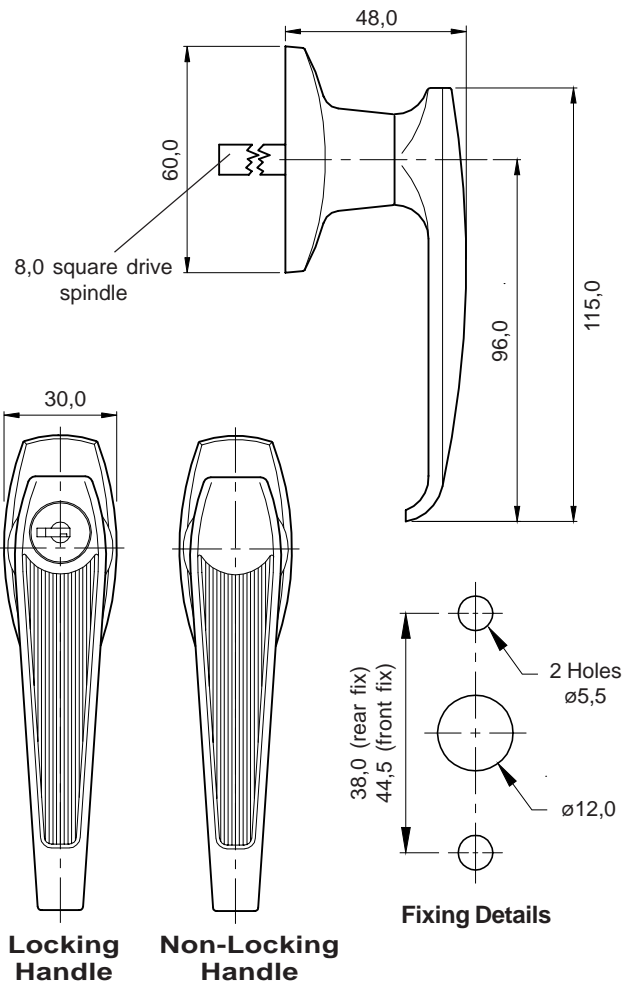
- 3** Bright Chrome

CAM TYPE

- Refer to page **A104**



Dimensions/Fixing shown NTS



Measurements shown in mm

Ordering Details

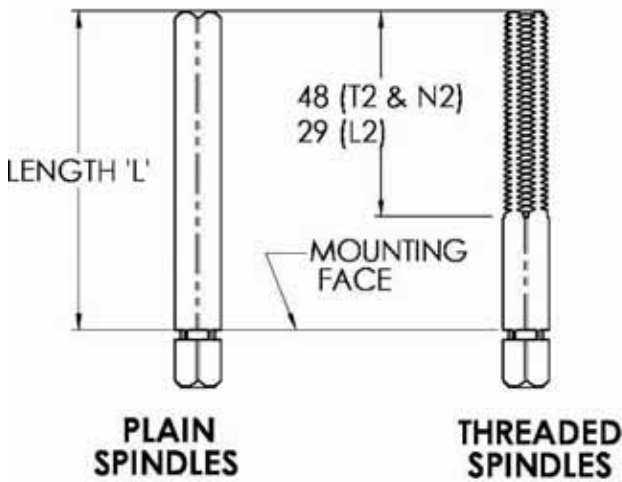
STEP 1 **STEP 2** **STEP 3** **STEP 4**
A / HL8R / KEY SERIES / 3 + MOVEMENT / SPINDLE + CAM TYPE (Rear fix)
A / HL8F / KEY SERIES / 3 + MOVEMENT / SPINDLE + CAM TYPE (Front fix)

Ordering example: **A / H L 8 R / 0 1 / 3 B / E --**

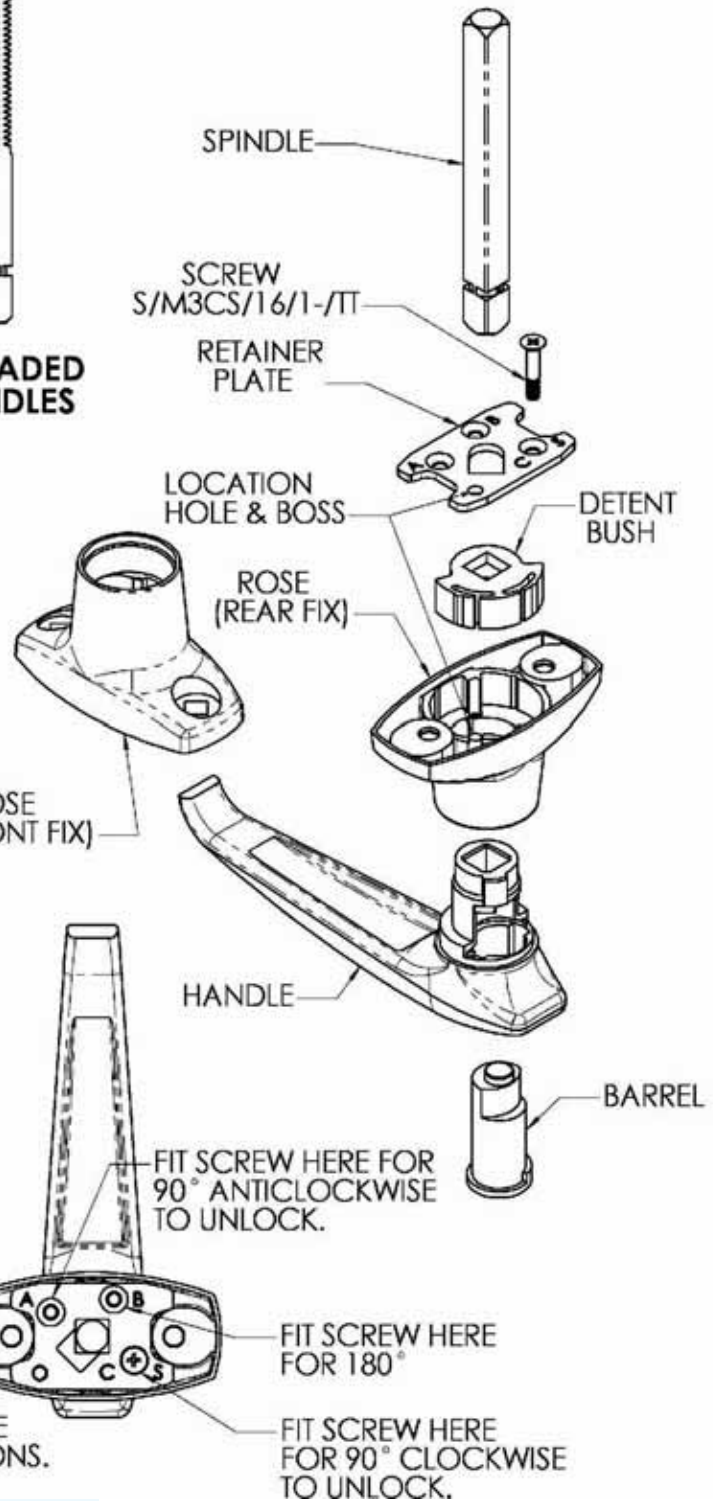
- **ADVISE** Keying requirements, e.g. keyed alike

L HANDLE A/HL

ASSEMBLY INSTRUCTIONS



PLAIN No	THREADED	LENGTH 'L'
T/SPIN/B2	T/SPIN/L2	31.5
T/SPIN/M2		39.5
T/SPIN/C2		43.5
T/SPIN/D2	T/SPIN/T2	50.5
T/SPIN/E2		74.5
T/SPIN/H2		100.5
T/SPIN/F2		136.5
	T/SPIN/N2	62.5



ASSEMBLY PROCEDURE:

1. ASSEMBLE HANDLE TO ROSE AND ROTATE CLOCKWISE OVER 1/4 TURN.
2. ASSEMBLE DETENT BUSH LOCATING OVER LUG ON HANDLE SHAFT.
3. ASSEMBLE SPINDLE TO RETAINER PLATE BY INSERTING INTO CENTRE HOLE AND MOVING SPINDLE SIDEWAYS TO LOCATE IN GROOVE.
4. ASSEMBLE RETAINER PLATE / SPINDLE TO HANDLE / ROSE BY INSERTING SPINDLE INTO SQUARE HOLE IN DETENT BUSH AND LOCATING RETAINER PLATE IN ROSE WITH LOCATION HOLE ALIGNED WITH BOSS.
5. INSERT SCREW INTO ONE OF THE 3 HOLES TO SUIT MOVEMENT REQUIRED AND TIGHTEN MAXIMUM TORQUE 1.0 Nm
6. CHECK FUNCTION AND ASSEMBLE BARREL TO HANDLE AS REQUIRED.

KEY LOCKABLE IN ALL POSITIONS.

LEVER HANDLE -PADLOCKING

REAR FIXING

Applications

This handle is ideal for use on doors.

An 8 mm square drive is operated by rotating the handle. The lever can be padlocked to a bracket at the base, therefore preventing rotation.

See page **A26** for assembly details.

Specifications

- Zinc alloy diecast handle and rose
- Chrome-plated finish
- Suits shackles up to 9.5 mm diameter
- Chrome-plated steel padlock bracket
- Tapped hole x 6 mm deep, rear fixing on rose

Code Information

KEY SERIES (A/HLXP only)

- 01 200 combinations - non-master keying
- 02 200 combinations - master keying
- 11 2000 combinations - non-master keying
- 12 2000 combinations - master keying
- CL Special combinations only
- FS Special combinations only

MOVEMENT

- S 90° clockwise rotation of handle to unlock
- A 90° anti-clockwise rotation of handle to unlock

CAM TYPE

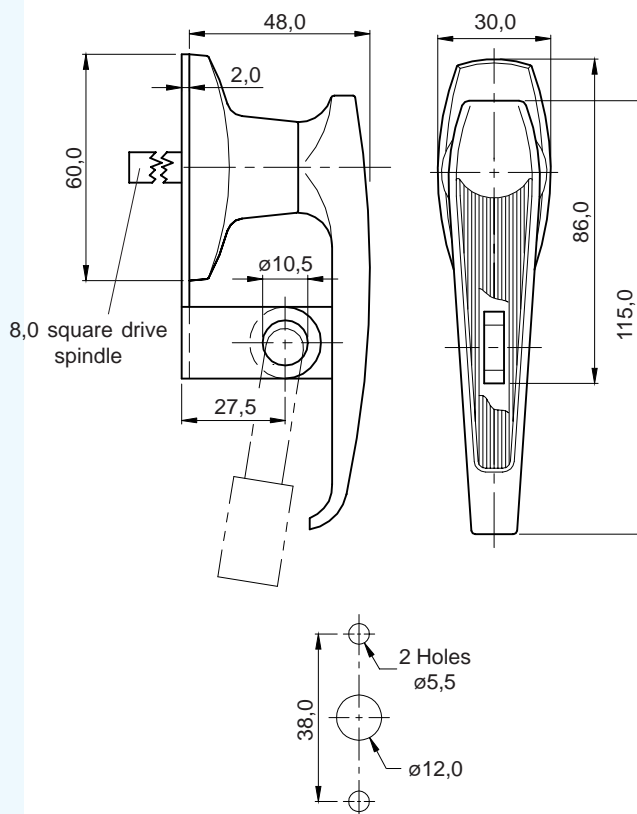
Refer to page **A104**



A/HL8P

A/HLXP
Keyable/
Padlockable

Dimensions/Fixing shown NTS



Fixing Details

Ordering Details

Measurements shown in mm

STEP 1 **STEP 2** **STEP 3** **STEP 4**
A / H L 8 P / - - / 3 + MOVEMENT / SPINDLE + CAM TYPE (Rear fix)
A / H L X P / 0 1 / 3 + MOVEMENT / SPINDLE + CAM TYPE
Ordering example: A / H L 8 P / - - / 3 S / E - -

DIE CAST SWING HANDLE

Applications

For heavy duty locking of industrial type cabinets or toolboxes where a padlock is used and a low-profile device is required.

Specifications

- Zinc alloy diecast handle
- Zinc alloy diecast housing
- Steel spindle
- Padlockable
- Also available in stainless steel

Code Information

SPINDLE TYPE

Contact Lock Focus for information on spindle options for this product

FINISH

33 Chrome

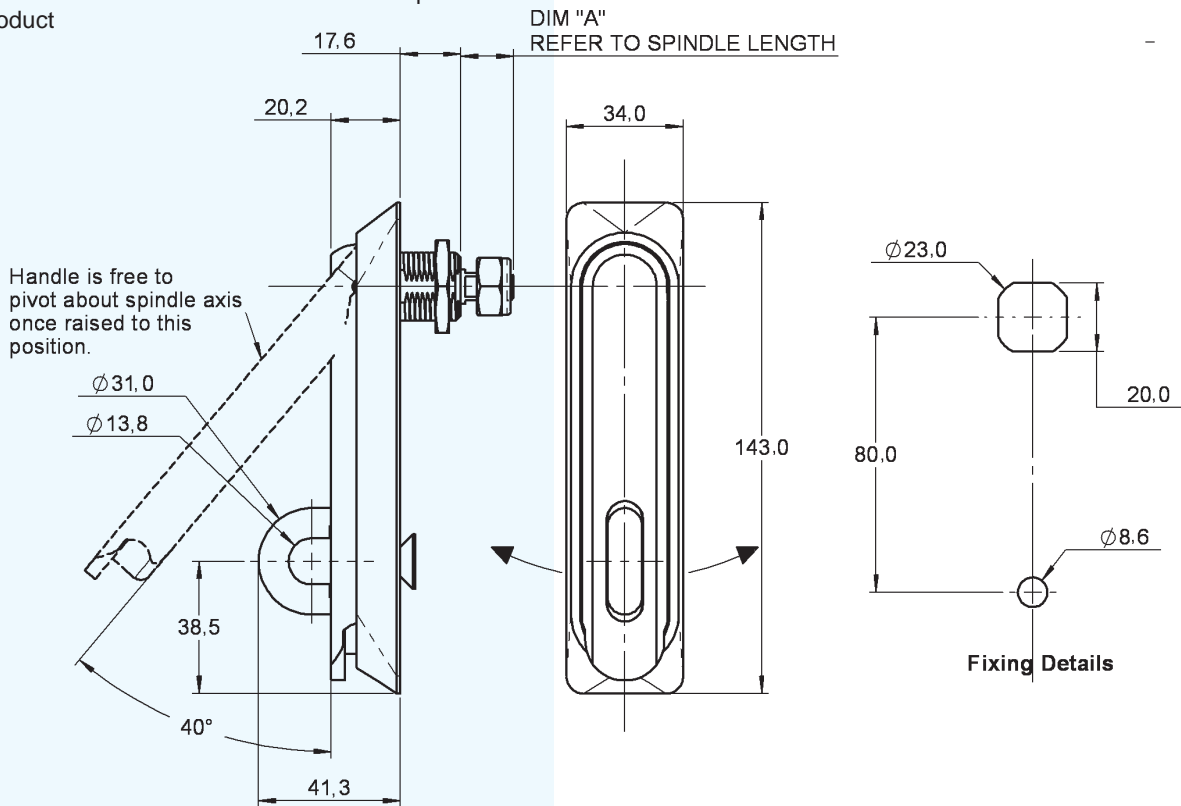
CAM TYPE

Contact Lock Focus for information on cam options for this product



A/HSA-

Dimensions/Fixing shown NTS



Ordering Details

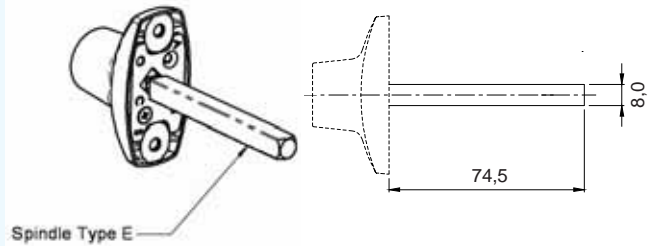
Measurements shown in mm

STEP 1 STEP 2 STEP 3 STEP 4
A / HSA - / SPINDLE TYPE / FINISH / H + CAM TYPE
Ordering example: A / H S A - / 2 A / 3 3 / H S 1

HANDLE SPINDLES AND CAMS

Spindle Type E

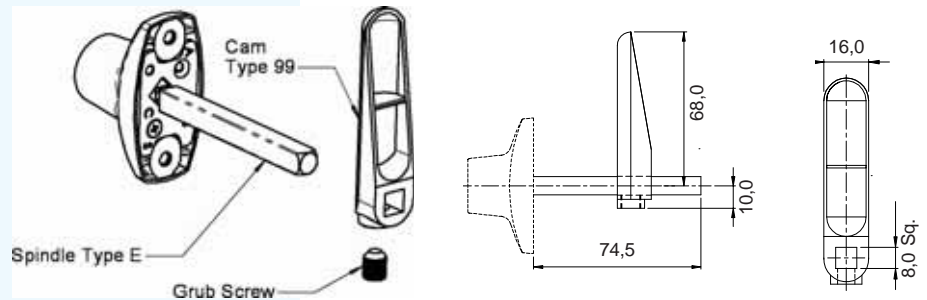
Spindle type E is a standard 8 mm square drive which is 74.5 mm long from the base of the lock.



Spindle Type E and Cam Type 99

The cam type 99 is secured to spindle type E by an M8 grub screw.

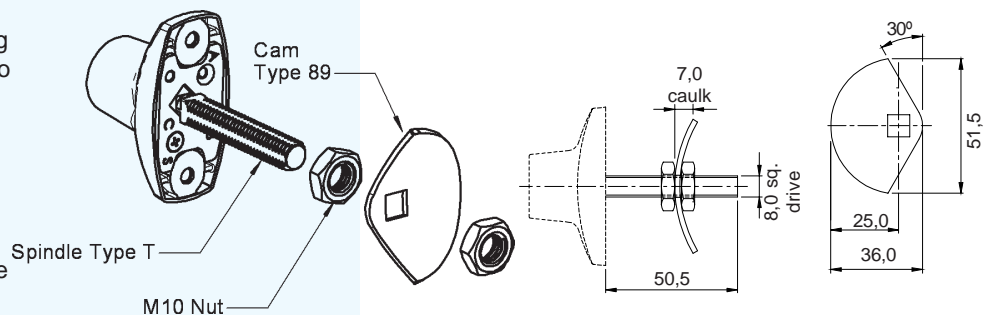
The distance from the base of the rose to the cam can be adjusted by loosening the grub screw and sliding the cam along the spindle.



Spindle Type T and Cam Type 89

The cam type 89 is fixed to spindle type T by being sandwiched between two M10 nuts.

The distance from the base of the rose to the cam can be adjusted by loosening the nuts and sliding the cam along the spindle.



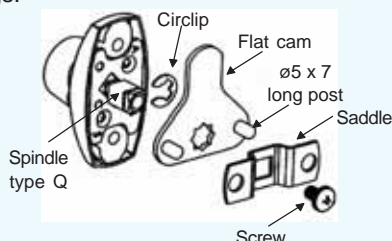
Spindle Type Q and 3-Point Locking Cams

Spindle type Q is designed to be used with a range of 3-point locking cams (refer to table).

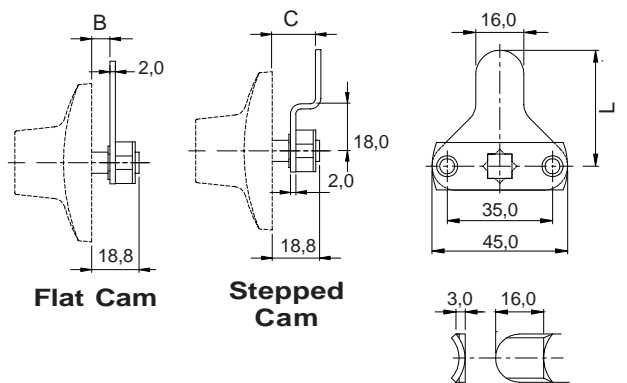
The 3-point locking cam has two versions: a flat and stepped cam. The flat cams are spaced at 10 mm from the base of the lock. The stepped cams are spaced 13.2 mm to 26 mm from the base of the lock, depending on the type.

The 3-point locking cam is designed to be used with locking rods. To fit the locking rods, the saddle must be removed. To do this, remove the split pin and take off the saddle.

Fit the locking bars, then refit the saddle. Feed the split pin through the hole in the spindle, then spread the pin legs.



SPINDLE TYPE	CAM TYPE	DIM L	DIM B (FLAT)	DIM C (STEPPED)	END DETAIL
Q	71	37	10,0		FLAT
Q	72	65	10,0		FLAT
Q	73	63.5		13,2	CAULKED
Q	74	57.5		19,5	CAULKED
Q	75	54.5		22,7	CAULKED
Q	76	51		26,0	CAULKED



Dimensions/Fixing shown NTS
Measurements shown in mm