

PROFILE CYLINDER LOCK

Applications

This cylinder is ideal for use on screen doors.

It features two barrels which operate a locking pawl from either side of the door.

Specifications

- Zinc alloy diecast housing
- Zinc alloy diecast locking pawl
- Bright chrome finish
- Stainless steel capped barrel



A/AD4-

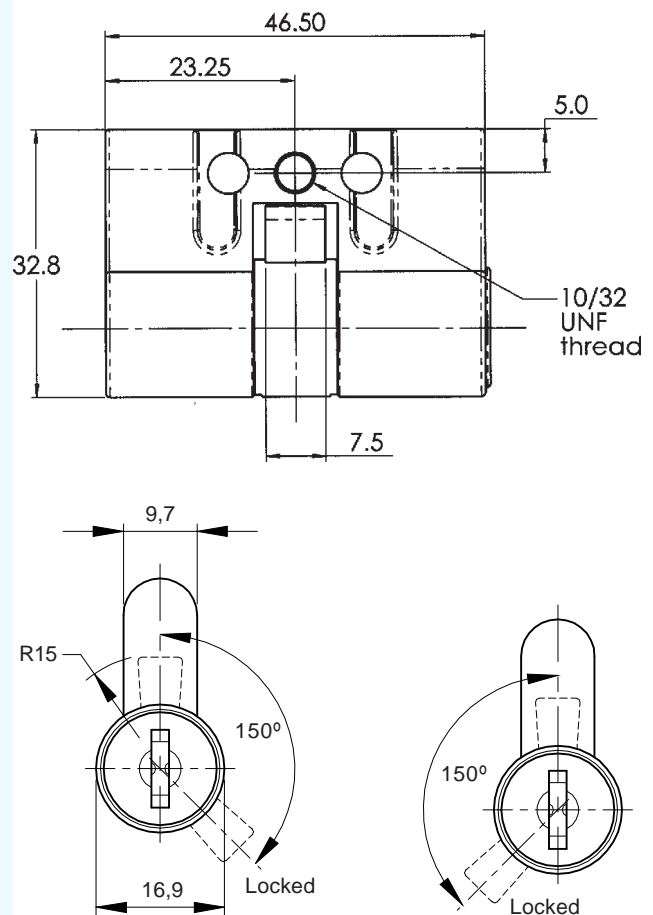
Code Information

KEY SERIES

27 400 combinations - non-master keying - AD4

93 200 combinations - non-master keying

Dimensions/Fixing shown NTS



Ordering Details

Measurements shown in mm

STEP 1 STEP 2 STEP 3 STEP 4

A / A D 4 - / KEY SERIES / 3 - / - - -

Ordering example: A / A D 4 - / 2 7 / 3 - / - - -