

LATCH LOCK - 16 MM

FOR USE ON DOORS AND DRAWERS

Applications

This lock is ideal for use on doors and drawers.

It can be used in place of camlocks when no locking security is required.

Specifications

- Zinc alloy diecast knob and housing
- Zinc-plated steel cam



A/L316

Code Information

FINISH

3 Bright chrome

MOVEMENT

B 180° clockwise or anti-clockwise to unlock

S 90° clockwise to unlock

A 90° anti-clockwise to unlock

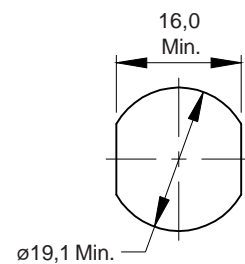
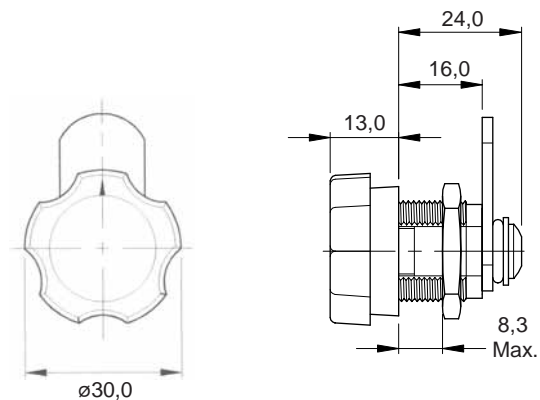
FIXING (Refer to page A105 for applications)

N Nut

CAM TYPE

-- Refer to page A100

Dimensions/Fixing shown NTS



Fixing Details

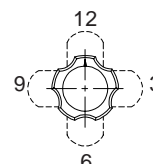
Ordering Details

Measurements shown in mm

STEP 1 **STEP 2** **STEP 3** **STEP 4**
A / L316 / -- / FINISH + MOVEMENT / FIXING + CAM TYPE

Ordering example: **A / L 3 1 6 / -- / 3 S / N 0 4**

- **ADVISE** Cam position when locked, refer to drawing at right



LATCH LOCK - PADLOCKING

19 MM - FOR DOORS

Applications

This lock is ideal for use on doors.

It is designed to be used with a padlock.

A hole in the handle aligns with a slot in the flange to accommodate a shackle up to 7 mm diameter.

Specifications

- Zinc alloy diecast knob and housing
- Zinc-plated steel cam
- Accepts padlocks with shackle up to 7 mm diameter

Code Information

FINISH

- 3 Bright chrome
- 4 Satin chrome

MOVEMENT

- S 90° clockwise to unlock
- A 90° anti-clockwise to unlock
- B 180° clockwise to unlock

FIXING (Refer to Applications Section H, page H1)

- N Nut

CAM TYPES

- Refer to page **A100** (single-point)
 - Refer to page **A103** (2 and 3-point)
- For 3 mm thick cams, ask for options

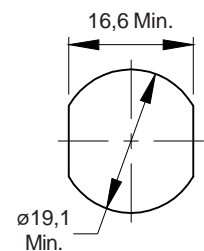
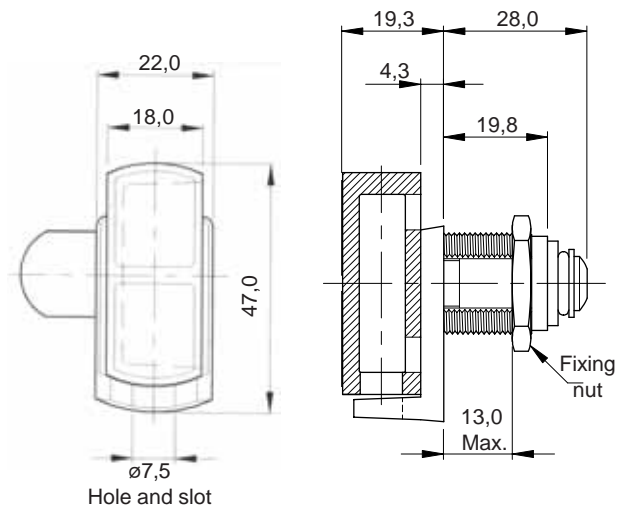


A/L419



Combination padlocks available on request

Dimensions/Fixing shown NTS



Fixing Details

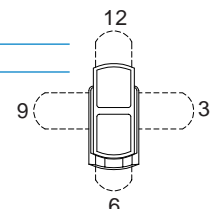
Ordering Details

Measurements shown in mm

STEP 1 **STEP 2** **STEP 3** **STEP 4**
A / L419 / -- / FINISH + MOVEMENT / FIXING + CAM TYPE

Ordering example: **A / L 4 1 9 / -- / 3 S / N 0 4**

- **ADVISE** Cam position when locked, refer to drawing at right

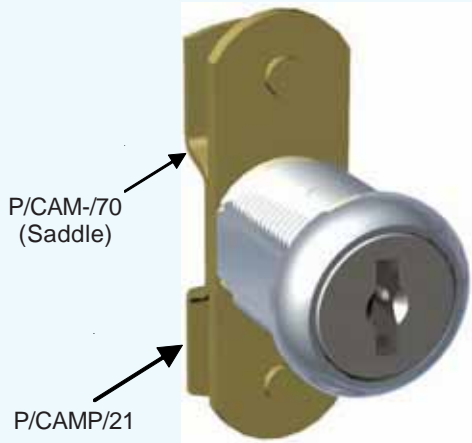


CAM LOCK AND LATCH LOCK

2-POINT AND 3-POINT LOCKING

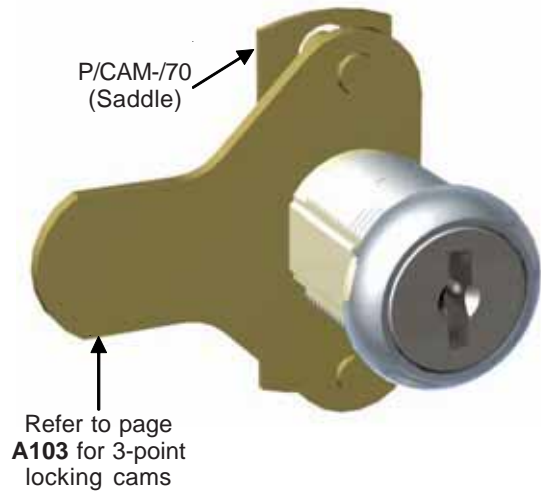
Camlock - 2-Point Locking

Cam locks 16 mm and above are available as 2-point locks. Refer to **Section A** for cam lock details.



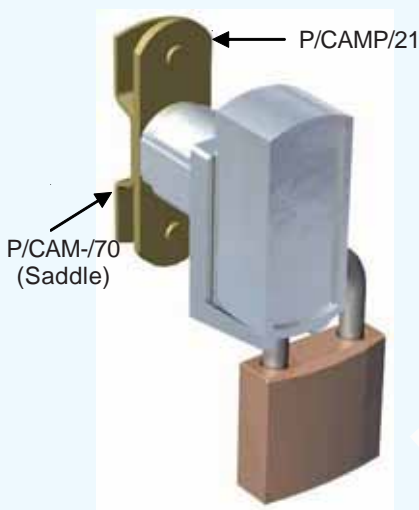
Camlock - 3-Point Locking

Cam locks 16 mm and above are available as 3-point locks. Refer to **Section A** for cam lock details.



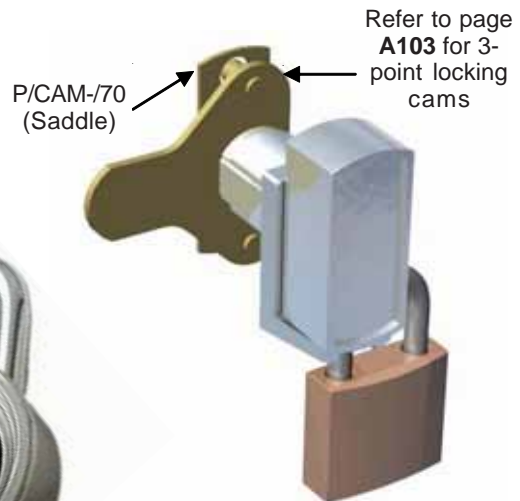
Latch Lock - 2-Point Locking

Latch locks are available as 2-point locks. Refer to page **A103** for latch lock details.



Latch Lock - 3-Point Locking

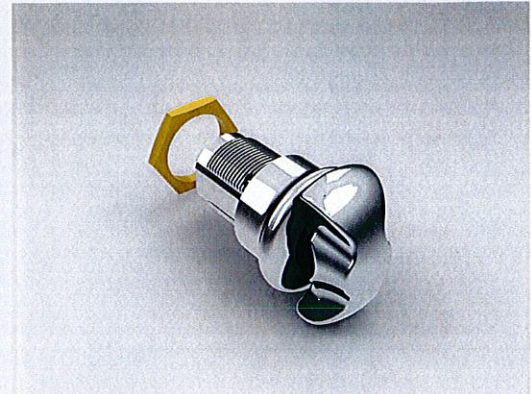
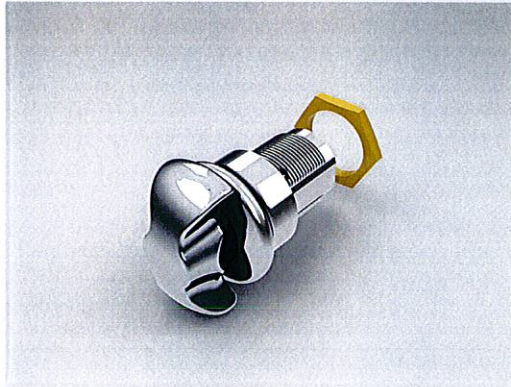
Latch locks are available as 3-point locks. Refer to page **A103** for latch lock details.



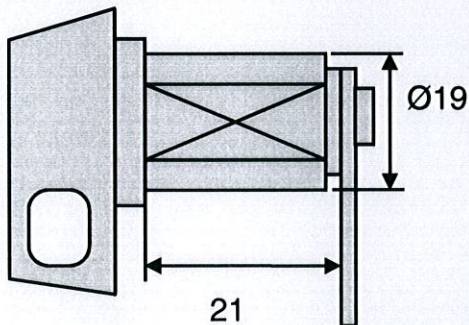
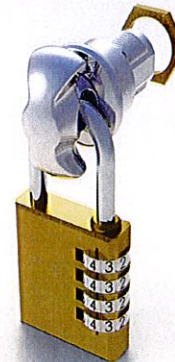
Combination padlocks available on request



Push-to-Turn Latch Lock



- Versatile Latch Lock for many applications.
- Uses 6-7mm hasp padlock.
- Handle turns freely with padlock in place.
- Cam cannot be turned with padlock in place.
- Push in handle to engage cam motion.
- 90° Engaged movement.
- Optional cam specification.
- We suggest fitting a 3mm thick cam as standard.
- Attractive chrome finish.
- Small size.



Important Note
Padlock designs vary greatly. Users must ensure that their chosen padlock functions satisfactorily with the latch.

Product Specifications

Product reference	Padlock Requirement	Fixing Hole Dimension
4496700	6mm – 7mm Hasp	Ø19.1 & 16.6 A/F

For further technical specifications, please contact Lowe & Fletcher Ltd.

New Free-Wheel Latch Lock A129



The new Latch Lock A129 is a robust and modern designed lock. The built-in free-wheel function provides a higher security level against overload breakage compared to standard Latch Locks.

The stylish locking knob was developed to guarantee a fully ergonomic design and easy handling.

Once the Latch Lock has been closed and secured by a personal padlock, the internal mechanism disengages from the knob. Thus the knob turns freely and it is impossible to operate the cam.

The A129 is the ideal solution for locking devices in sport and leisure centres, offices, workshops, etc.

Features:

- For shackle diameter \varnothing 5 to 8,0 mm
- Movement 90°, right and left hand versions available
- Cam retained in the locked position
- Standard fixing hole 19 x 16 mm
- Lock fixing via horseshoe clip (panel thickness 0,8 to 1,5mm) or nut
- Housing length 20 mm
- 2 or 3 mm cams as standard
- Solid cam fixing by screw
- All functional components made of mazak
- Min. of 30.000 operating cycles
- Applicable axial pulling force > 750N
- Customer logo optional

