

T SHAPE HANDLE

FRONT AND REAR FIXING

Applications

This lock is ideal for use on garage doors.

An 8 mm square drive is operated by unlocking, then rotating the handle.

There are two versions: a rear fix and a front fix. The rear fix has 3/16" W tapped holes concealed underneath the rose. The front fix is designed to be used with 3/16" coach bolts fitted from the front of the rose.

Specifications

- Zinc alloy diecast handle and rose
- Chrome-plated finish
- One pair of keys per lock

Code Information

KEY SERIES

- Non-locking handle
- 01 200 combinations - non-master keying
- 02 200 combinations - master keying
- 11 2000 combinations - non-master keying
- 12 2000 combinations - master keying
- CL Special combinations
- ES Special combinations
- FS Special combinations

FINISH

- 3 Bright chrome

MOVEMENT

- B Handle lockable at both positions 180°
- A and S Handle lockable at both positions 90°
- C 90° clockwise rotation of handle to unlock
Key removable in both positions

SPINDLE

- Refer to page D11

CAM TYPE

- Refer to page D10

Note: Spindles and movements can be changed by customer - refer to page D11

Ordering Details

STEP 1 **STEP 2** **STEP 3** **STEP 4**
A / HG-R / KEY SERIES / FINISH + MOVEMENT / SPINDLE + CAM TYPE (Rear fix)
A / HG-F / KEY SERIES / FINISH + MOVEMENT / SPINDLE + CAM TYPE (Front fix)

Ordering example: A / H G - R / 0 1 / 3 B / E - -

- **ADVISE** Keying requirements, e.g. keyed alike

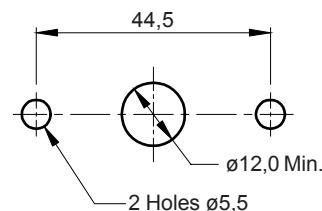
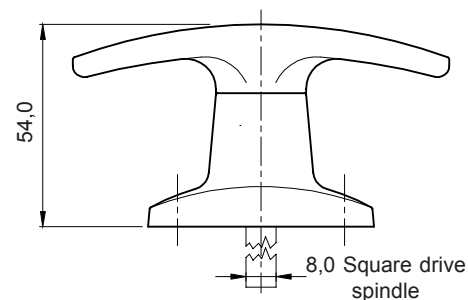
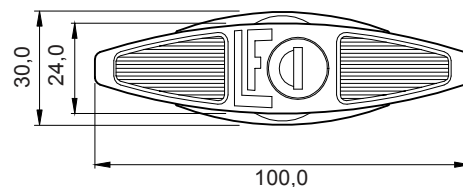


A/HG-F
Front fix



A/HG-R
Rear fix

Measurements shown in mm



Fixing Details

Dimensions/Fixing shown NTS