

CAM LOCKS

22 MM AND 32 MM HOUSINGS

Applications

This lock is ideal for use on drawers and cupboards.

Rotating the key results in 90° or 180° rotary cam movement.

The lock fits into a 19.1 mm diameter hole from the front of a panel. A brass nut and pronged washer secure the lock into position.

The CR22 suits panels up to 16 mm thick and the CR32 up to 27 mm thick.

Specifications

- Zinc alloy diecast housing
 - Key removable in locked and unlocked positions
 - Zinc-plated steel cam
 - Stainless steel capped barrel
 - One pair of nickel-plated keys per lock
- Note: As the nut will not slip over the cam, supply in knock down condition is available.

Code Information

KEY SERIES

- 01 200 combinations - non-master keying - 22 mm and 32 mm
- 02 200 combinations - master keying
- ES 50 combinations - 96000 series - sub master keying - 22 mm and 32 mm
- 11 2000 combinations - non-master keying - 22 mm and 32 mm
- 12 2000 combinations - master keying - 22 mm and 32 mm
- CL 32 mm only
- 07 500 combinations - non-master keying - 32 mm only
- 08 500 combinations - Master keying - 32 mm only
- 17 2000 combinations - non-master keying - 32 mm only
- 18 2000 combinations - Master keying - 32 mm only

FINISH

- 3 Bright chrome

MOVEMENT

- B 180° clockwise or anti-clockwise to unlock
- C 90° clockwise to unlock (45° mounting required)

FIXING

- N Nut - Metal fixing only
- W Nut and pronged washer - wooden fixing only

CAM TYPE

- Refer to page B100

Ordering Details

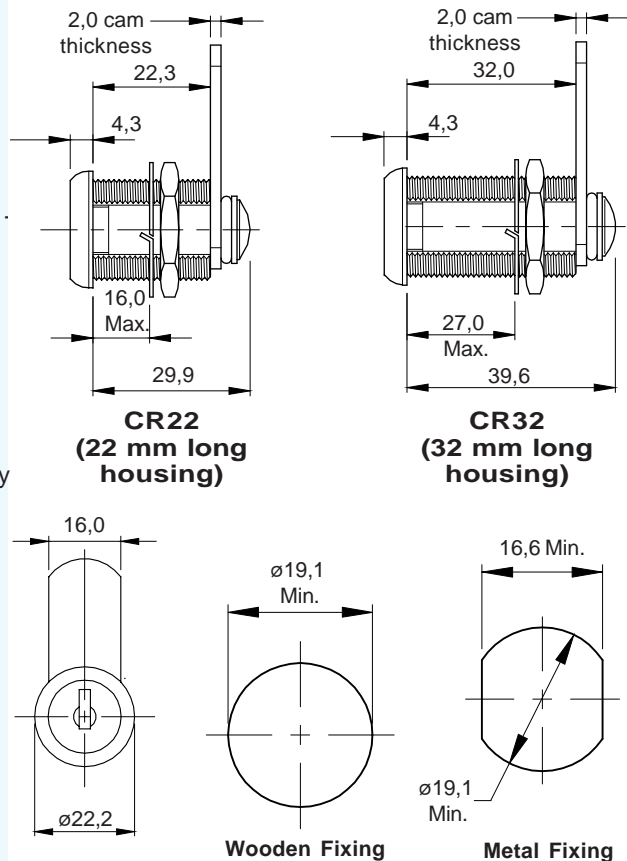
- STEP 1** **STEP 2** **STEP 3** **STEP 4**
- A / CR22 / KEY SERIES / FINISH + MOVEMENT / FIXING + CAM TYPE** (22 mm housing)
- A / CR32 / KEY SERIES / FINISH + MOVEMENT / FIXING + CAM TYPE** (32 mm housing)

Ordering example: **A / C R 2 2 / 0 1 / 3 B / W 0 4**

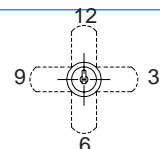
- **ADVISE** Cam position when locked, refer to drawing at right
- **ADVISE** Keying requirements, e.g. keyed alike
- **ADVISE** If lock is to be supplied unassembled (knocked down)



Dimensions/Fixing shown NTS



Measurements shown in mm

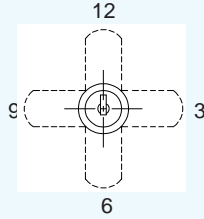


CAMS - TYPE A AND BEZELS

Ordering Considerations

1. LOCKED POSITION

Locked position of cam must be specified as viewed from the front of lock, e.g. 12 o'clock.



2. BENT CAMS

For a bent cam, state whether bend is stepped away or stepped towards the lock front.

3. NOTCHING AND CAULKING OF CAMS

Notching and caulking of cams to the above details is an additional operation and can be supplied on request.

4. NOTCHED CAMS

For a notched cam, state direction to lock, i.e. clockwise or anti-clockwise.

5. OTHER CAM SIZES

Other cam sizes are available on request. We have a large number of cams to suit particular needs and applications.

Cam Ordering Codes

CAM NO.	DIMENSION L	DIMENSION B
01	14,3	
02	19,0	
04	29,4	
06	35,0	
09	44,5	
11	50,8	
13	57,2	
51	29,0	3,2
52	41,0	3,2
53	33,5	4,8
54	50,5	4,8
55	31,0	6,3
57	51,7	8,0
60	39,0	11,1
61	31,1	12,7

Bezels

SIZES - INTERNAL DIAMETER

- 19 mm
- 22 mm

FINISH

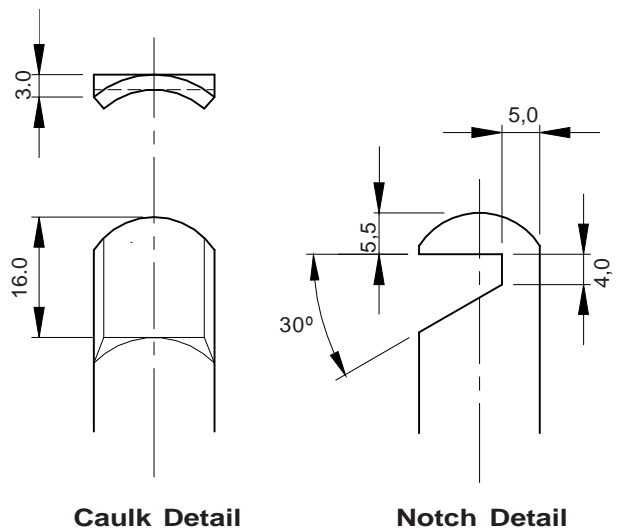
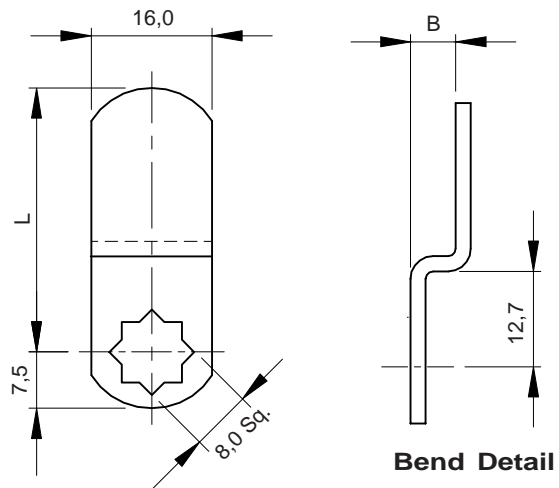
- Bright chrome
- Nickel

Standard Cams

Cam Options

Refer to page A100 for options.

Alternative Cam Ends



Measurements shown in mm

Bezels are designed to fit onto the nozzles of our locks. Their main function is to finish off a drilled hole in timber.

