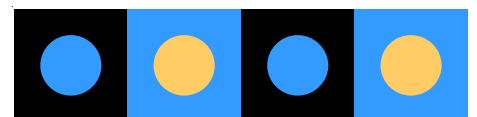
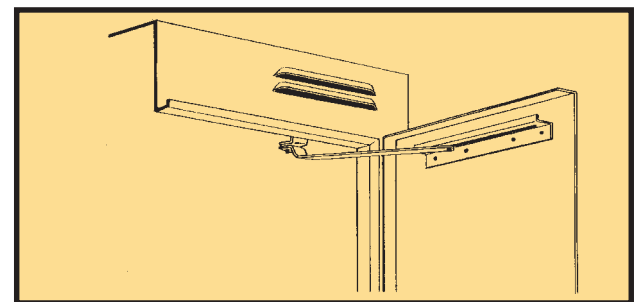
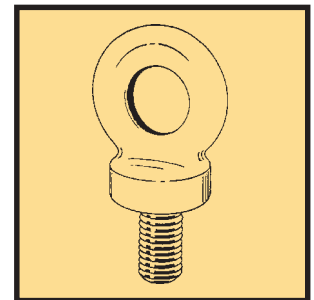
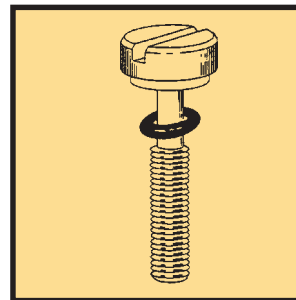
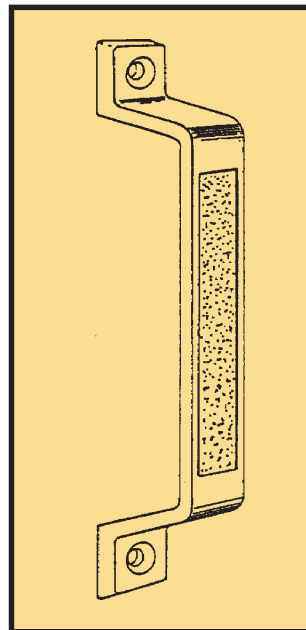
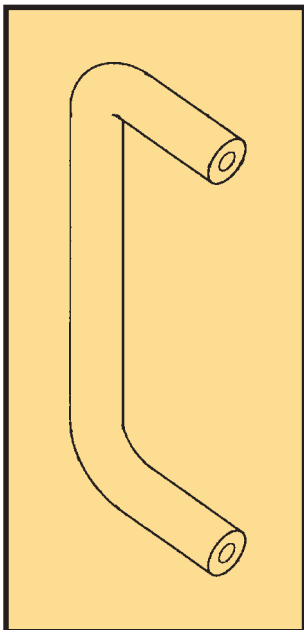


SECTION 8 - SWITCHBOARD ACCESSORIES

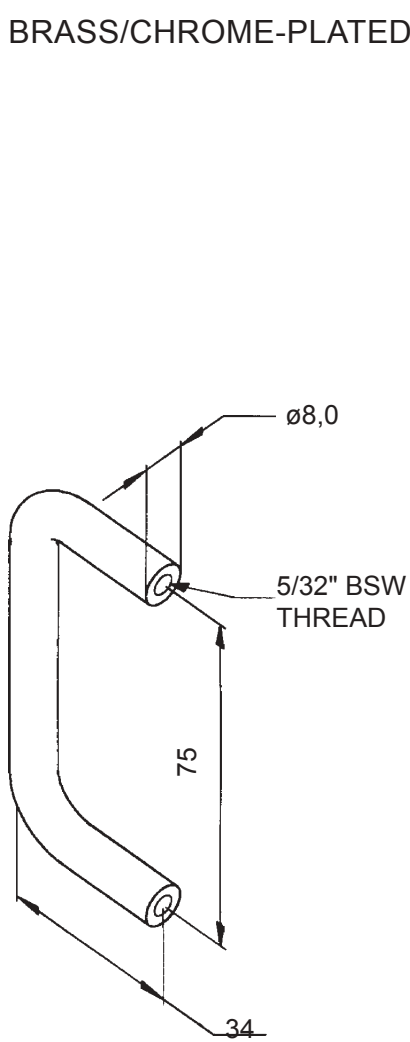


D PULL HANDLE

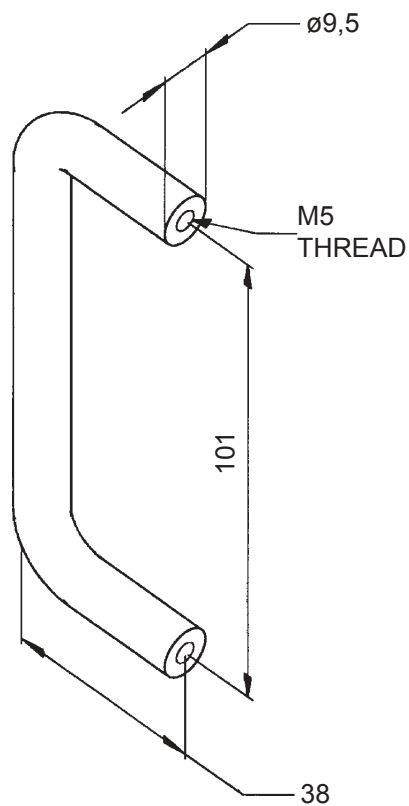


Material

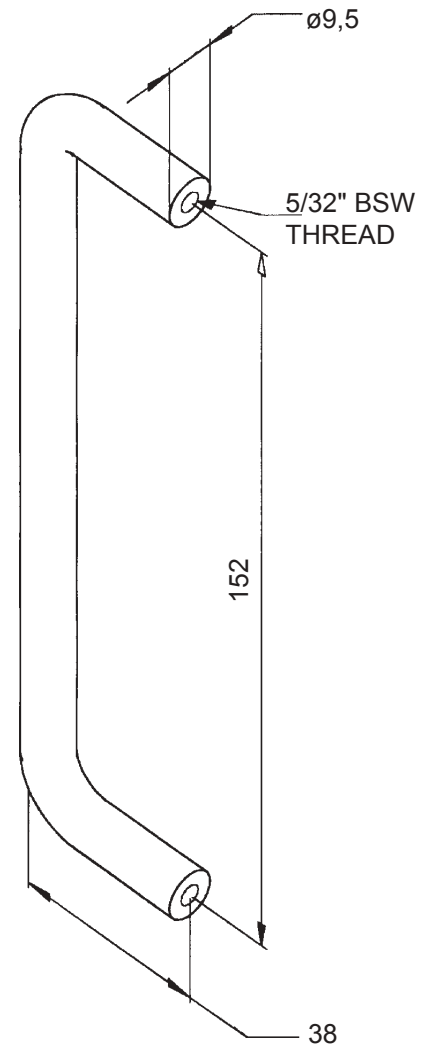
BRASS/CHROME-PLATED



PART CODE
A/DHAN/03/0-/-

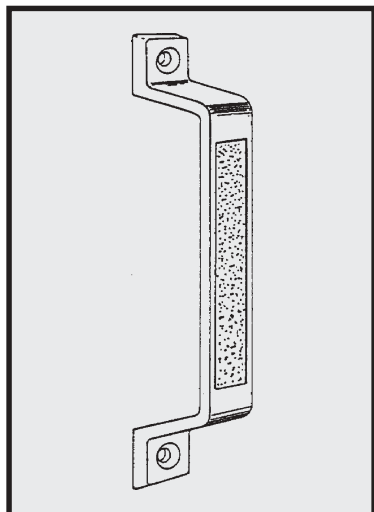


PART CODE
A/DHAN/04/0-/-



PART CODE
A/DHAN/06/0-/-

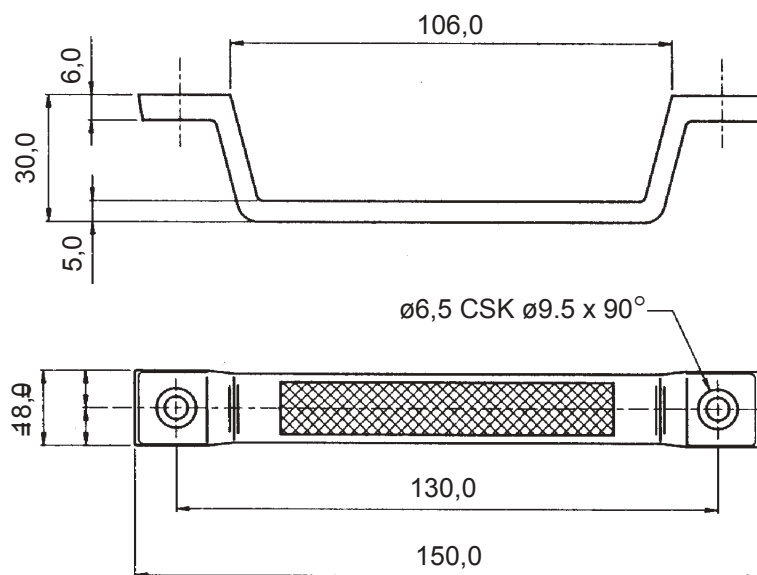
D TYPE HANDLE



Material

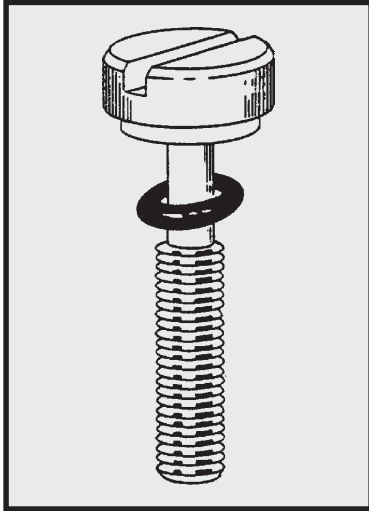
ZINC/CHROME-PLATED

Dimensions



PART CODE
A/HDP-/3-/---/---

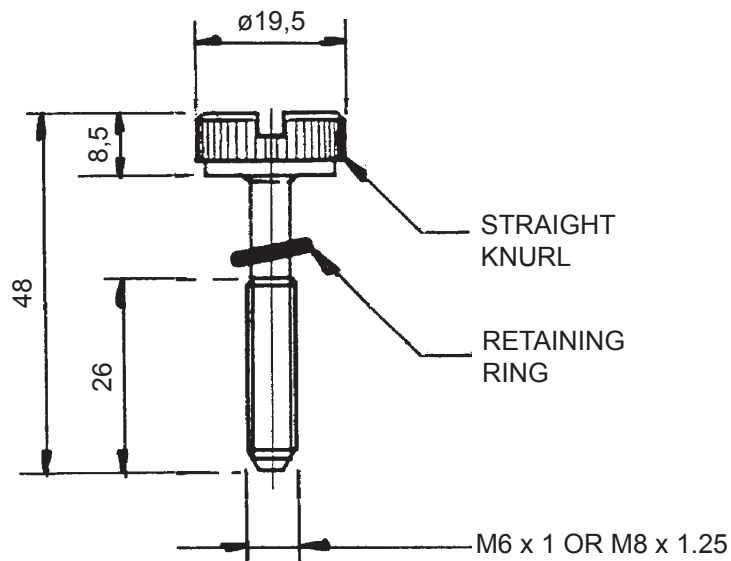
THUMB SCREW



Material

STEEL/CHROME-PLATED

Dimensions

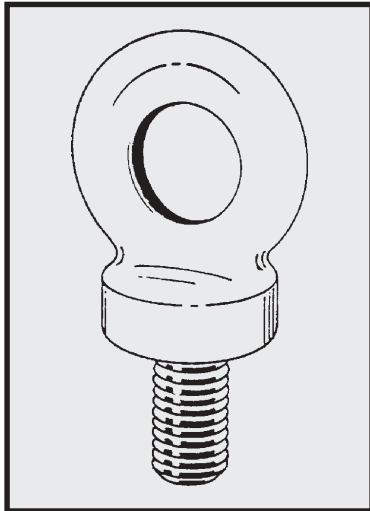


Ordering Details

THREAD	CODE
6 MM	T/NUURL/M6/3-W--
8 MM	T/NUURL/M8/3-W--

LIFTING EYEBOLT

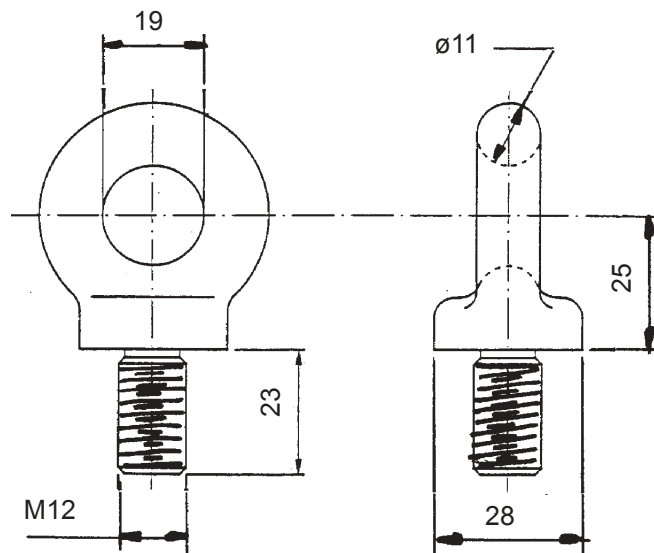
12 MM



Material

UNPLATED MILD STEEL CASTING

Dimensions



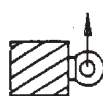
Safe Working Loads

When used in the correct manner
 *SWL Loading per pair of eyebolts

AXIAL
W.LL
0.32
SWL TONNES



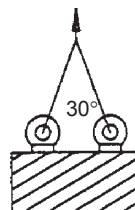
TRUNNION
TYPE MOUNTING
0.08
SWL TONNES



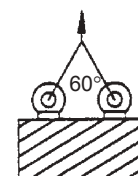
PERPENDICULAR
LOADING
0.16*
SWL TONNES



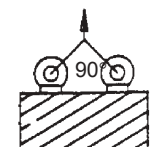
30° INCLUDED
ANGLE
0.40*
SWL TONNES



60° INCLUDED
ANGLE
0.26*
SWL TONNES



90° INCLUDED
ANGLE
0.16*
SWL TONNES

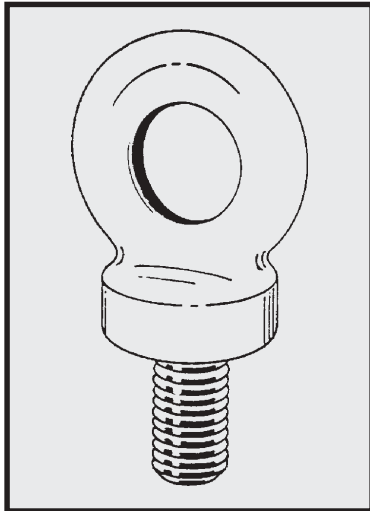


Ordering Details

S/EYE-12/0-1---

LIFTING EYEBOLT

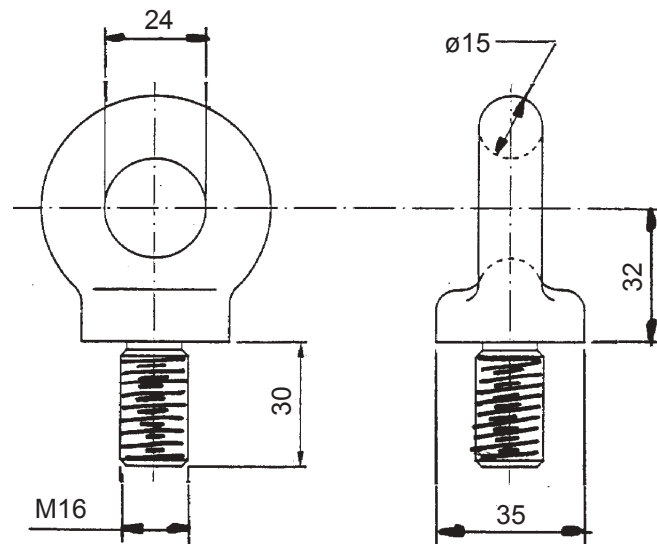
16 MM



Material

UNPLATED MILD STEEL CASTING

Dimensions



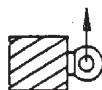
Safe Working Loads

When used in the correct manner
*SWL Loading per pair of eyebolts

AXIAL
W.L.L
0.63
SWL TONNES



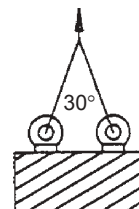
TRUNNION
TYPE MOUNTING
0.16
SWL TONNES



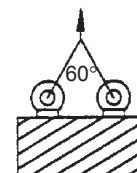
PERPENDICULAR
LOADING
0.32*
SWL TONNES



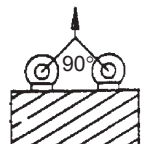
30° INCLUDED
ANGLE
0.79*
SWL TONNES



60° INCLUDED
ANGLE
0.50*
SWL TONNES



90° INCLUDED
ANGLE
0.32*
SWL TONNES



Ordering Details

S/EYE-/16/0-/---

Applications

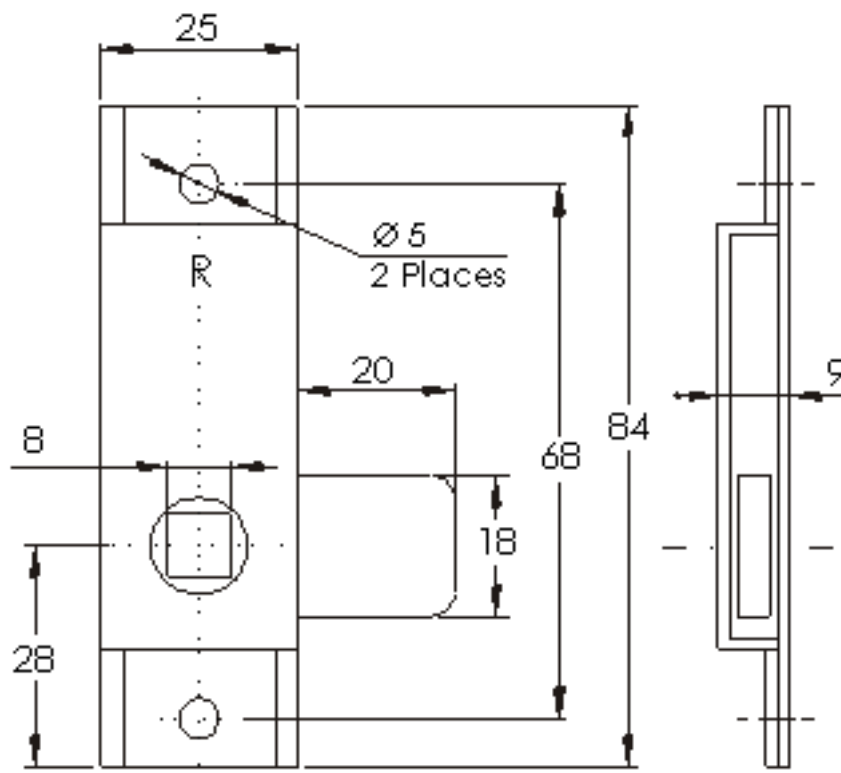
THIS IS A RUGGED AND ECONOMICAL LOCK SUITABLE FOR MEDIUM TO HEAVY STEEL DOORS.

TO OPERATE THE LOCK, A 'T' SHAPED KEY CAN BE PURCHASED SEPARATELY.

LEFT HAND AND RIGHT HAND VERSIONS OF THE LOCK ARE AVAILABLE.



Dimensions



M / BUDR / - - / 1 - / - - -

Ordering Details

M/BUDL/--/1-/-	LEFT HAND LOCK
M/BUDR/--/1-/-	RIGHT HAND LOCK
M/BUDK/--/1-/-	KEY

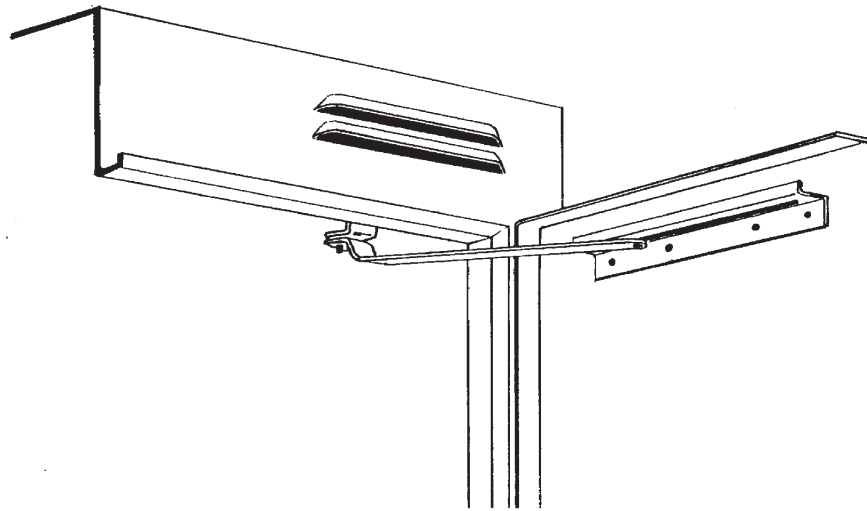
DOOR STAY STAINLESS STEEL



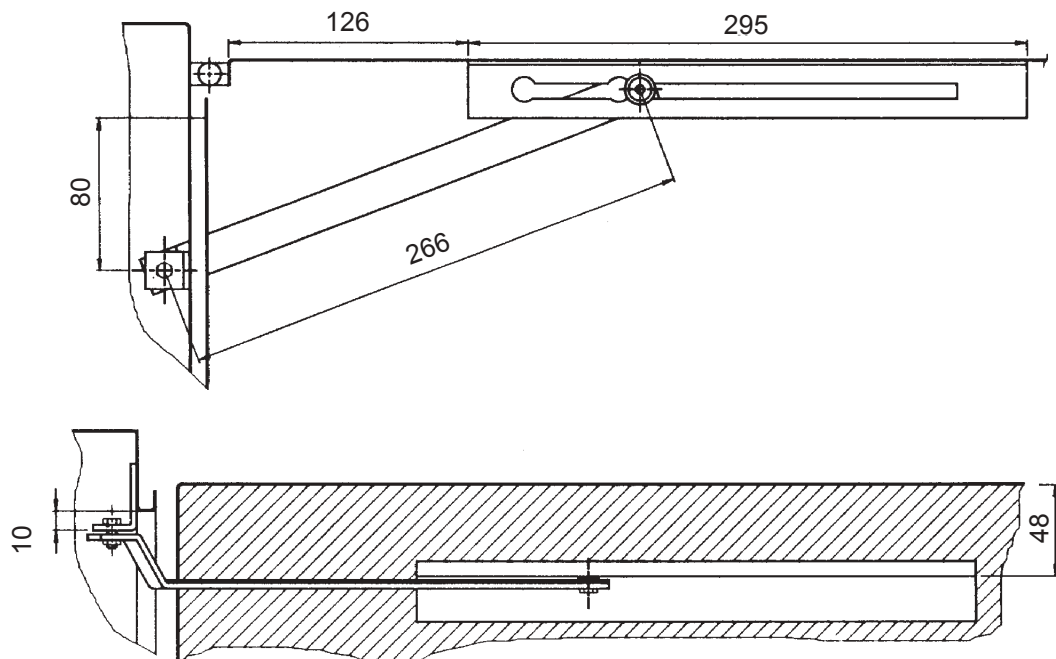
Material

STAINLESS STEEL

NOTE: HOLDS DOOR OPEN AT 90° AND 120°



Dimensions



Ordering Details

CODE	DOOR OPENING
D/STAY/LH/SS/---	LEFT HAND HINGED
D/STAY/RH/SS/---	RIGHT HAND HINGED

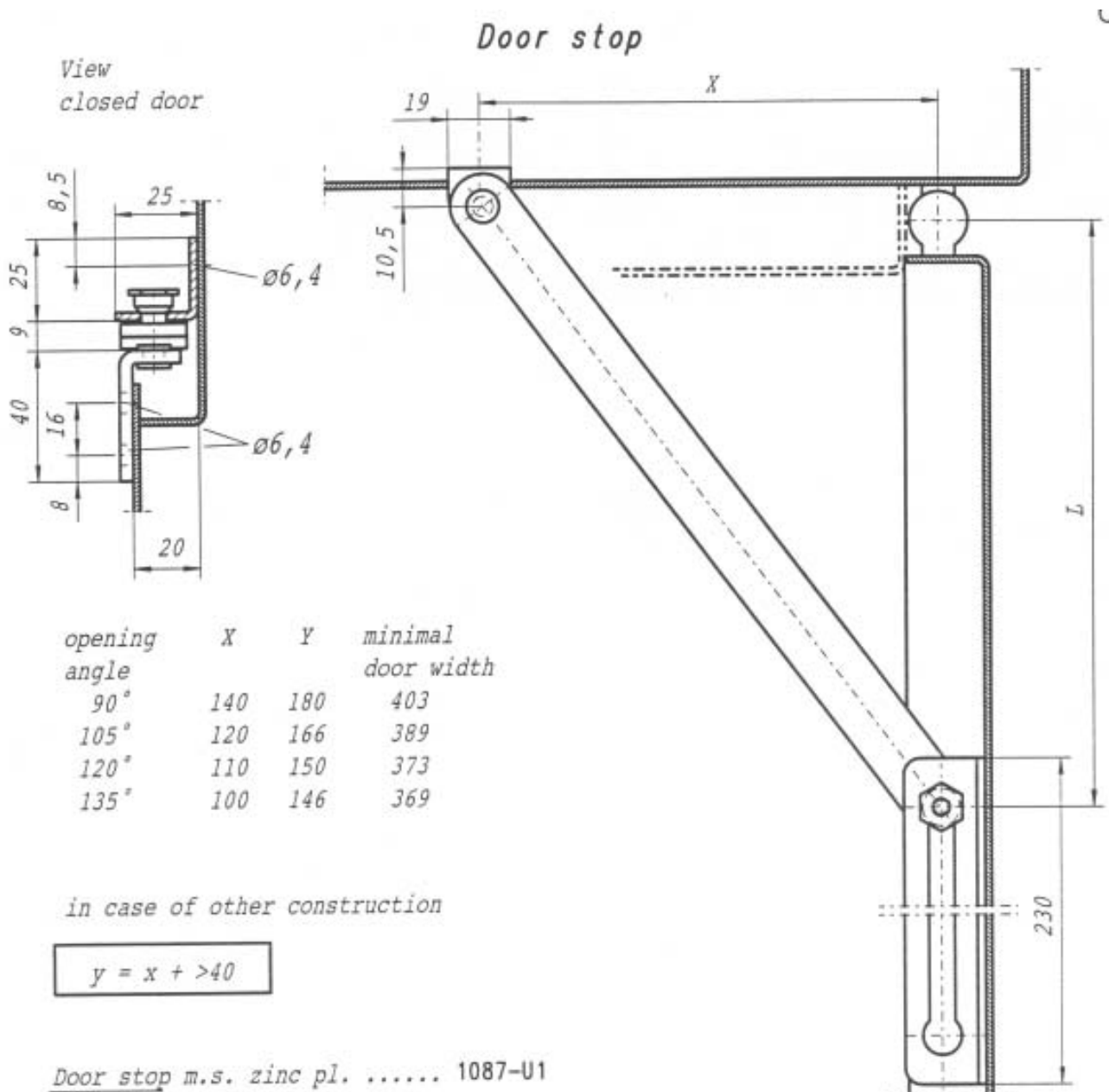
DOOR STAY MILD STEEL



Material

MILD STEEL

NOTE: HOLDS DOOR OPEN AT 90° AND 120°



Ordering Details

DOOR OPENING	CODE
UNIVERSAL MOUNTING	1087-U1