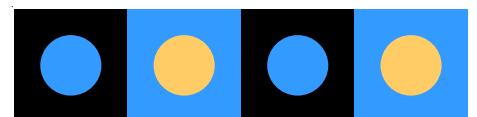
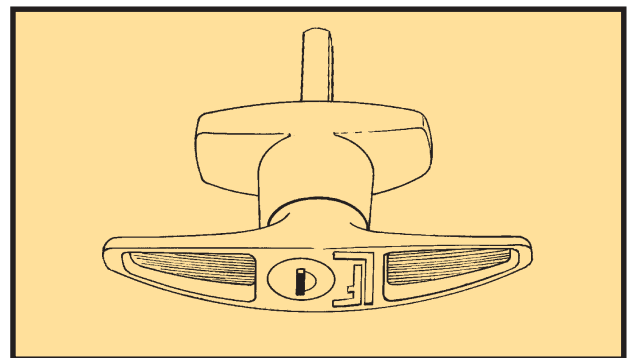
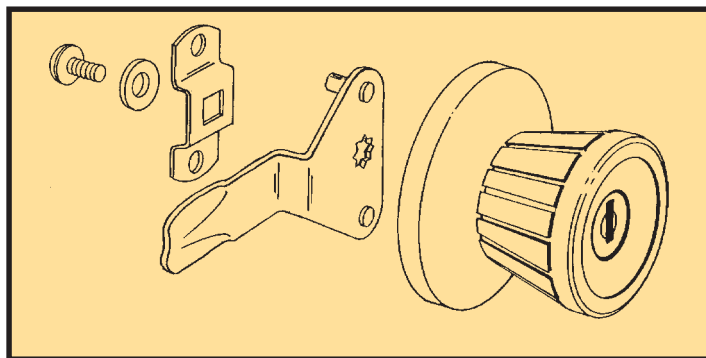
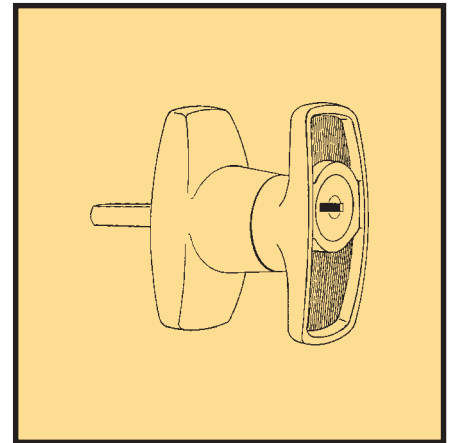
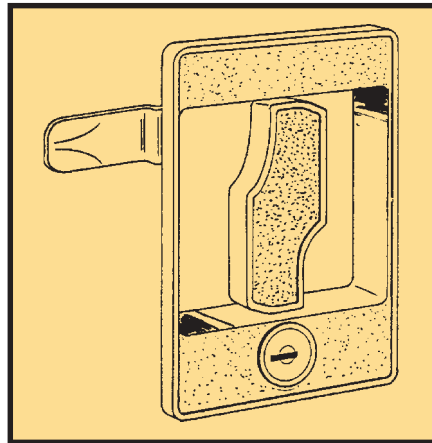
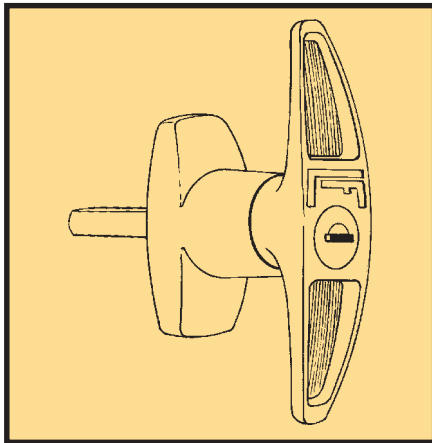
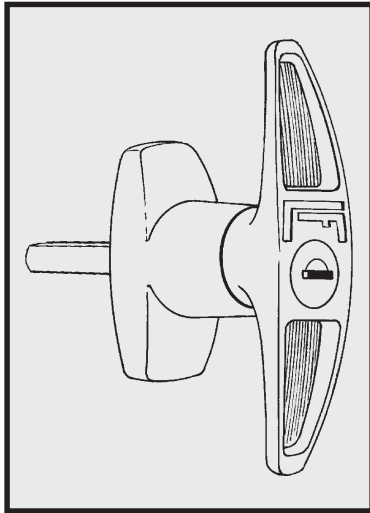


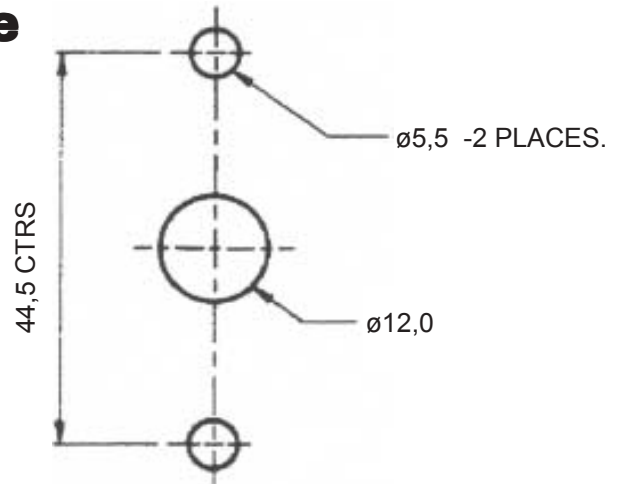
SECTION 3 - STANDARD LOCKING HANDLES



LARGE TEE HANDLE

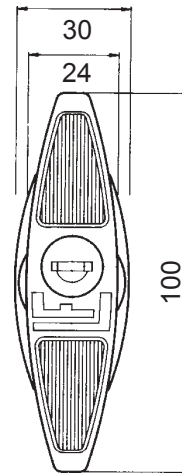
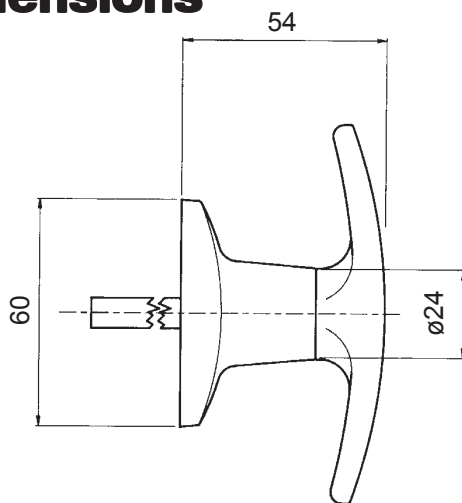


Fixing Hole Details



**FOR CONCEALED FIXING
& THROUGH FIXING:**
3/16 BSW THREAD -
NO FIXING SCREWS SUPPLIED

Dimensions



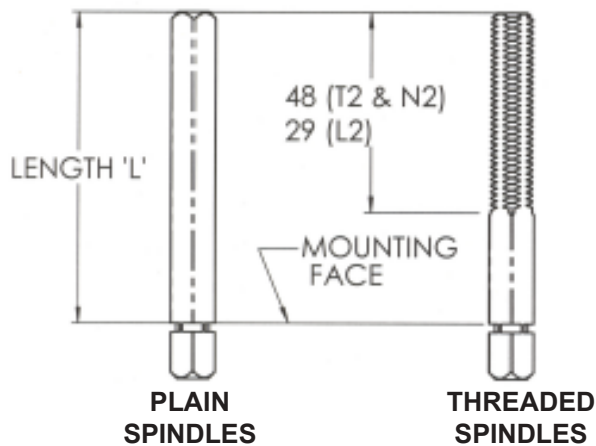
LOCKING

NON LOCKING

Ordering Details

	1 /	2	3	4	5 /	6	7 /	8	9 /	10	11	12	
ASSEMBLY	A												
MODEL		H	G	-	R								CONCEALED FIXING
		H	G	-	F								THROUGH FIXING
KEY SERIES					0	1							92268
					C	L							CL001
													NON-LOCKING
FINISH							3						BRIGHT CHROME
MOVEMENT									A				90 DEGREES ANTI-CLOCKWISE TO UNLOCK
									B				180 DEGREES CLOCKWISE OR ANTI-CLOCKWISE TO UNLOCK
									C				90 DEGREES CLOCKWISE TO UNLOCK, LOCKABLE BOTH POSITIONS
									S				90 DEGREES CLOCKWISE TO UNLOCK
SPINDLE TYPE										*			CUSTOMER TO SPECIFY - REFER ASSEMBLY INSTRUCTIONS
CAM TYPE											*	*	
EXAMPLE:	A /	H	G	-	R /	0	1 /	3	S /	E	-	-	

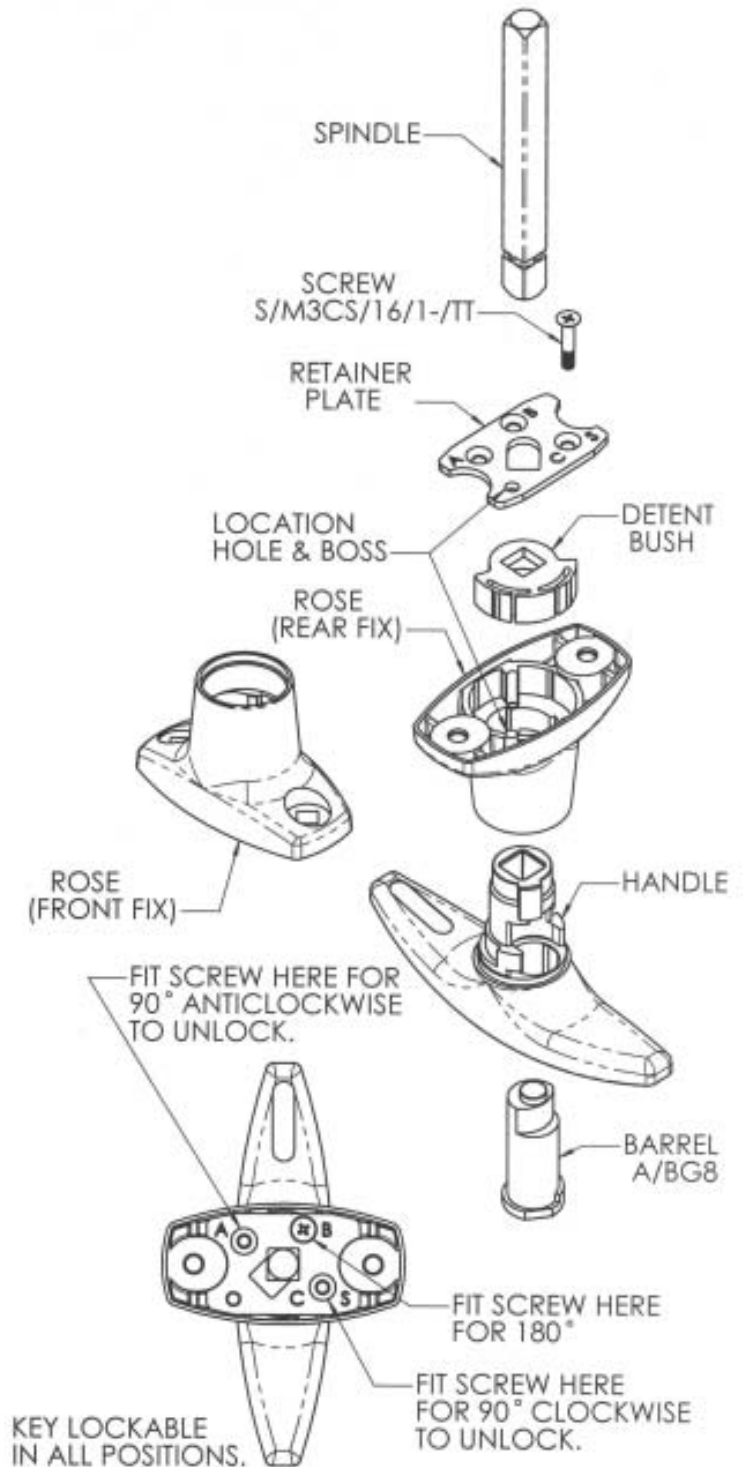
LARGE TEE HANDLE A/HG ASSEMBLY INSTRUCTIONS



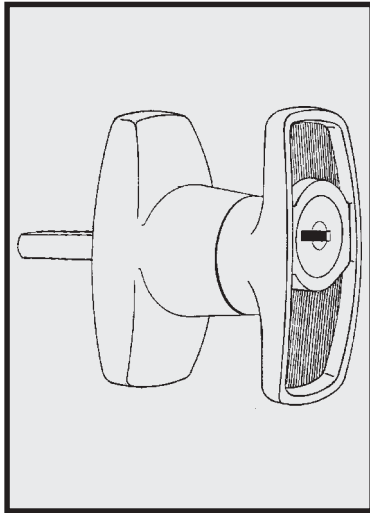
PLAIN NO	THREADED	LENGTH 'L'
T/SPIN/B2	T/SPIN/L2	31.5
T/SPIN/M2		39.5
T/SPIN/C2		43.5
T/SPIN/D2	T/SPIN/T2	50.5
T/SPIN/E2	T/SPIN/N2	74.5
T/SPIN/H2		100.5
T/SPIN/F2		136.5

ASSEMBLY PROCEDURE

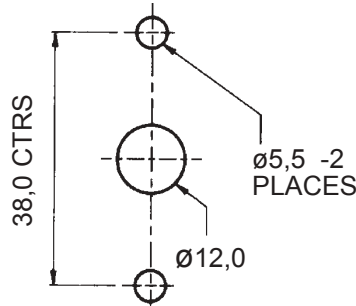
1. Assemble handle to rose and rotate clockwise over 1/4 turn.
2. Assemble detent bush locating over lug on handle shaft.
3. Assemble spindle to retainer plate by inserting into centre hole and moving spindle sideways to locate in groove.
4. Assemble retainer plate/spindle to handle/rose by inserting spindle into square hole in detent bush and locating retainer plate in rose, with location hole aligned with boss.
5. Insert screw into one of the 3 holes to suit movement required and tighten maximum torque 1.0 Nm.
6. Check function and assemble barrel to handle as required.



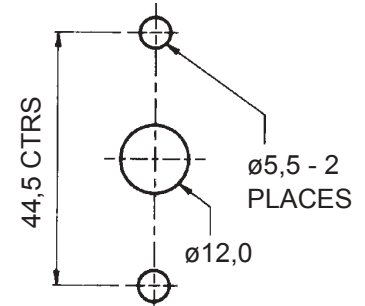
SMALL TEE HANDLE



Fixing Hole Details

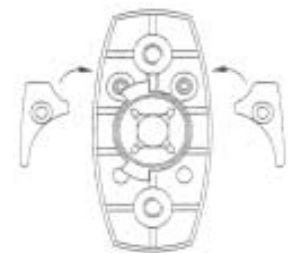
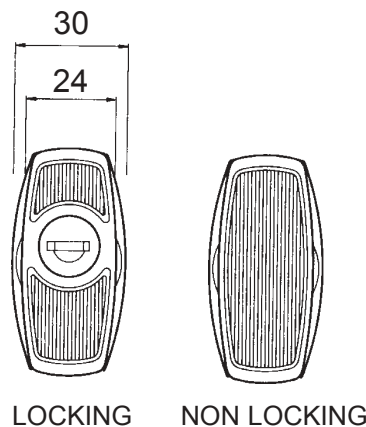
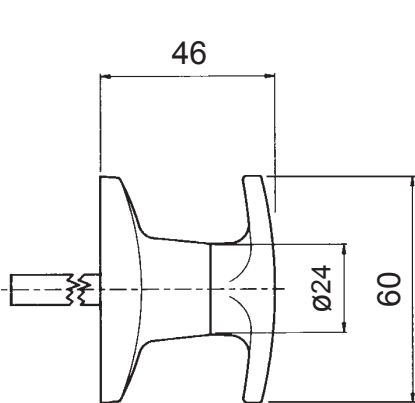


CONCEALED FIXING
 (MODEL A/HT8R)
 MS THREAD
 -FIXING SCREWS
 SUPPLIED



THROUGH FIXING
 (MODEL A/HT8F)

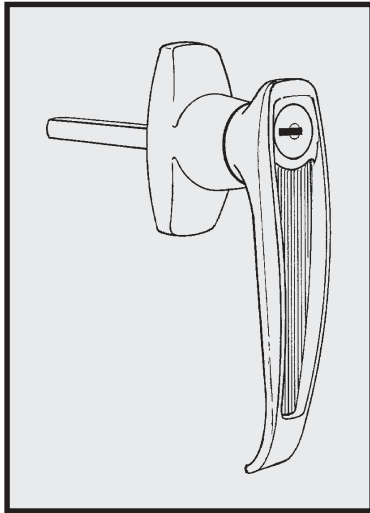
Dimensions



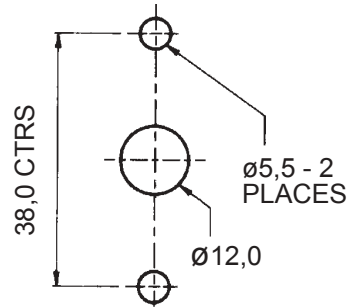
UNIVERSAL MOVEMENT
 UNIVERSAL STOPS CAN BE FITTED LH OR
 RH, GIVING 90 DEGREES C'WISE MOVE-
 MENT OR 90 DEGREES ANTI C'WISE
 MOVEMENT AS REQUIRED

Ordering Details

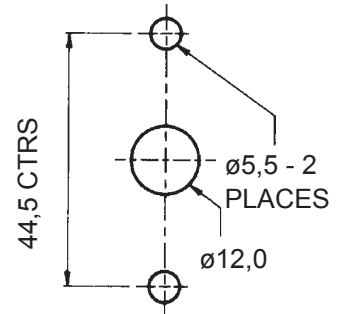
	1 /	2	3	4	5 /	6	7 /	8	9 /	10	11	12	
ASSEMBLY	A												
MODEL		H	T	8	R								CONCEALED FIXING
		H	T	8	F								THROUGH FIXING
KEY SERIES						0	1						92268
						C	L						CL001
						-	-						NON-LOCKING
FINISH								3					BRIGHT CHROME
MOVEMENT									U				UNIVERSAL LEFT OR RIGHT HAND
									B				180 DEGREES CLOCKWISE OR ANTI -CLOCKWISE TO UNLOCK
SPINDLE TYPE										E			
CAM TYPE											*	*	
EXAMPLE:	A /	H	T	8	R /	0	1 /	3	U /	E	-	-	



Fixing Hole Details

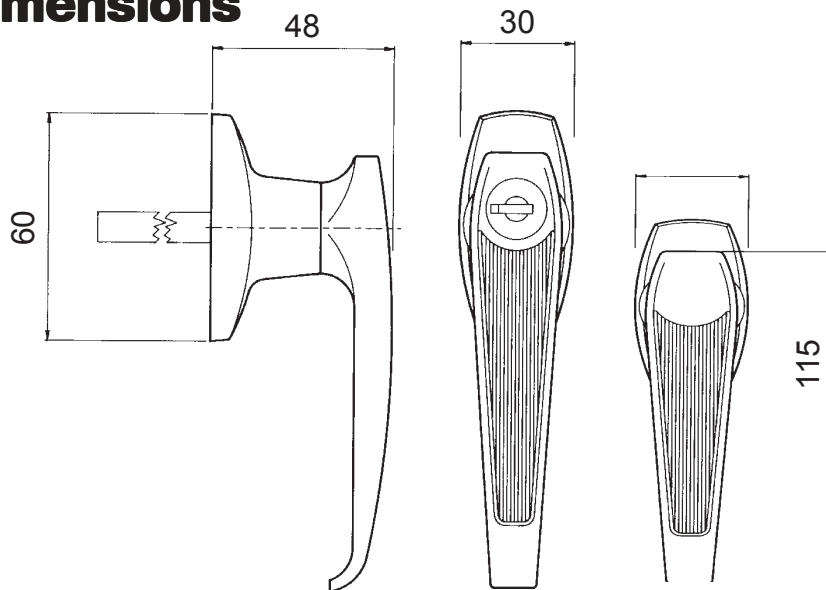


CONCEALED FIXING
 (MODEL A/HL8R)
 MS THREAD
 -FIXING SCREWS
 SUPPLIED



THROUGH FIXING
 (MODEL A/HL8F)

Dimensions

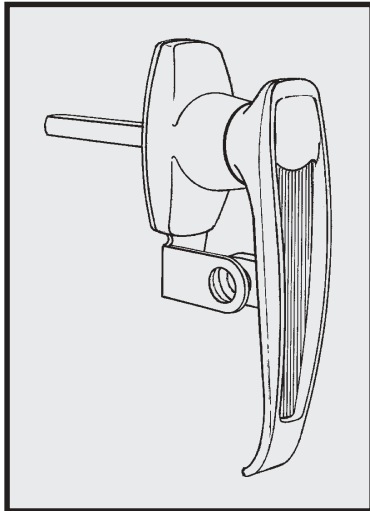


UNIVERSAL MOVEMENT
 UNIVERSAL STOPS CAN BE FITTED LH OR
 RH, GIVING 90 DEGREES C'WISE MOVE-
 MENT OR 90 DEGREES ANTI C'WISE
 MOVEMENT AS REQUIRED

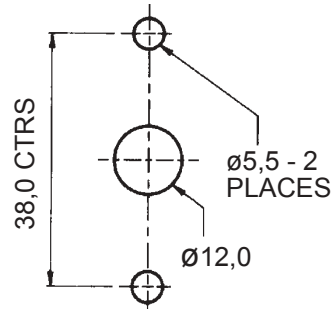
Ordering Details

	1 /	2	3	4	5 /	6	7 /	8	9 /	10	11	12	
ASSEMBLY	A												
MODEL		H	L	8	F								THROUGH FIXING
		H	L	8	R								CONCEALED FIXING
KEY SERIES					0	1							92268
					C	L							CL001
					-	-							NON-LOCKING
FINISH								3					BRIGHT CHROME
MOVEMENT									U				UNIVERSAL LEFT OR RIGHT HAND
									B				180 DEGREES CLOCKWISE OR ANTI -CLOCKWISE TO UNLOCK
SPINDLE TYPE										E			
CAM TYPE											*	*	
EXAMPLE:	A /	H	L	8	R /	0	1 /	3	U /	E	-	-	

LEVER HANDLE PADLOCKING

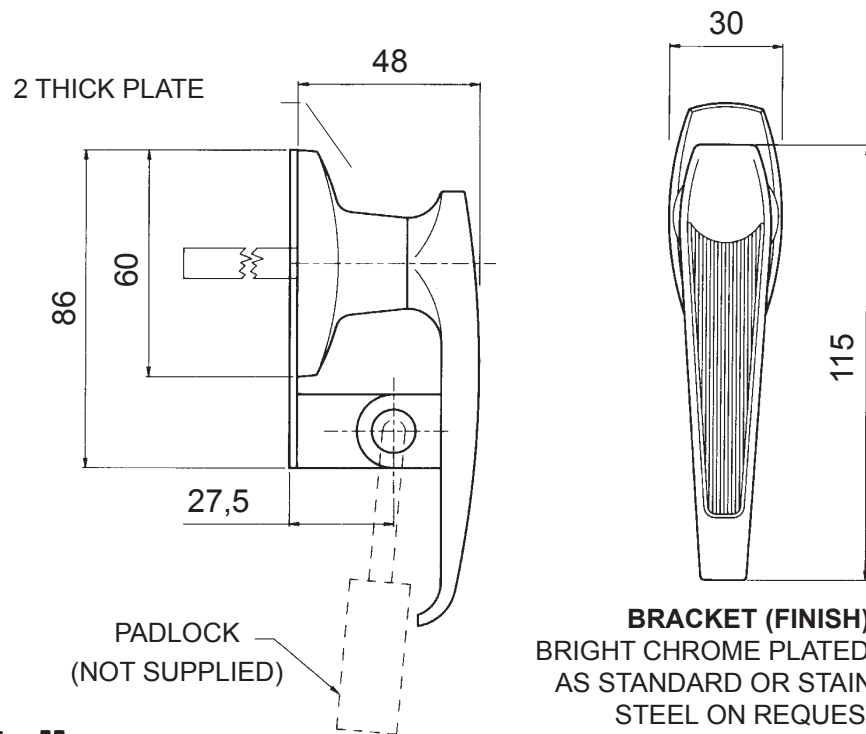


Fixing Hole Details



CONCEALED FIXING
MS THREAD
-FIXING SCREWS
SUPPLIED

Dimensions



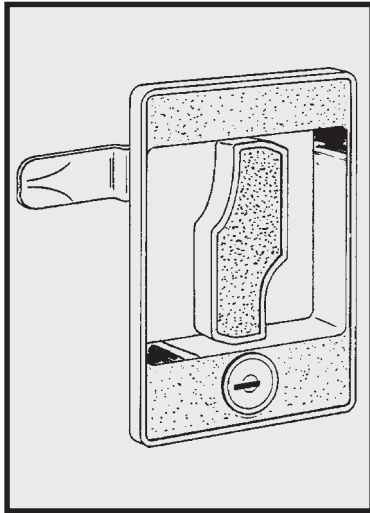
PADLOCK
(NOT SUPPLIED)

BRACKET (FINISH)
BRIGHT CHROME PLATED STEEL
AS STANDARD OR STAINLESS
STEEL ON REQUEST

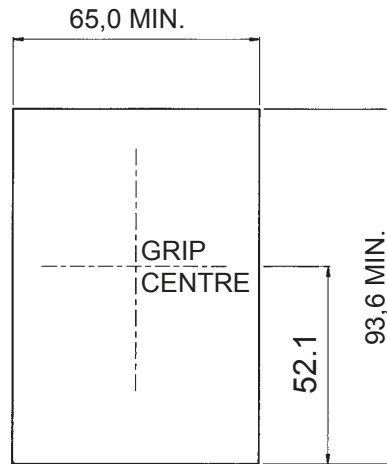
Ordering Details

	1 /	2	3	4	5 /	6	7 /	8	9 /	10	11	12	
ASSEMBLY	A												
MODEL		H	L	8	P								CONCEALED FIXING
KEY SERIES						-	-						NON-LOCKING
FINISH								3					BRIGHT CHROME
MOVEMENT									S				90 DEGREES CLOCKWISE TO UNLOCK
									A				90 DEGREES ANTI -CLOCKWISE TO UNLOCK
SPINDLE TYPE										E			
CAM TYPE											*	*	
EXAMPLE:	A /	H	L	8	P /	-	- /	3	A /	E	-	-	

VERTICAL FLUSH HANDLE 3 POINT LOCKING

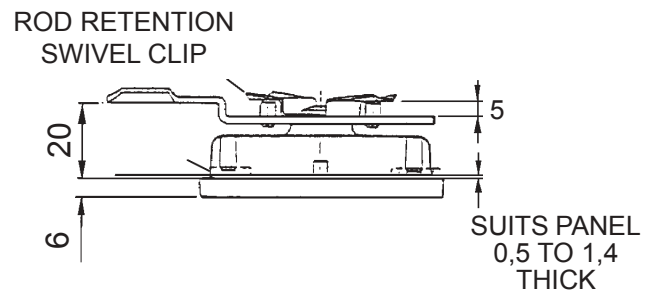
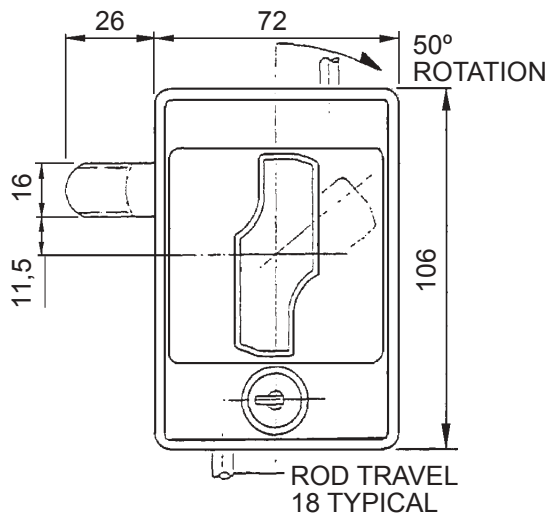


Fixing Hole Details



NOTE: NO RODS SUPPLIED

Dimensions

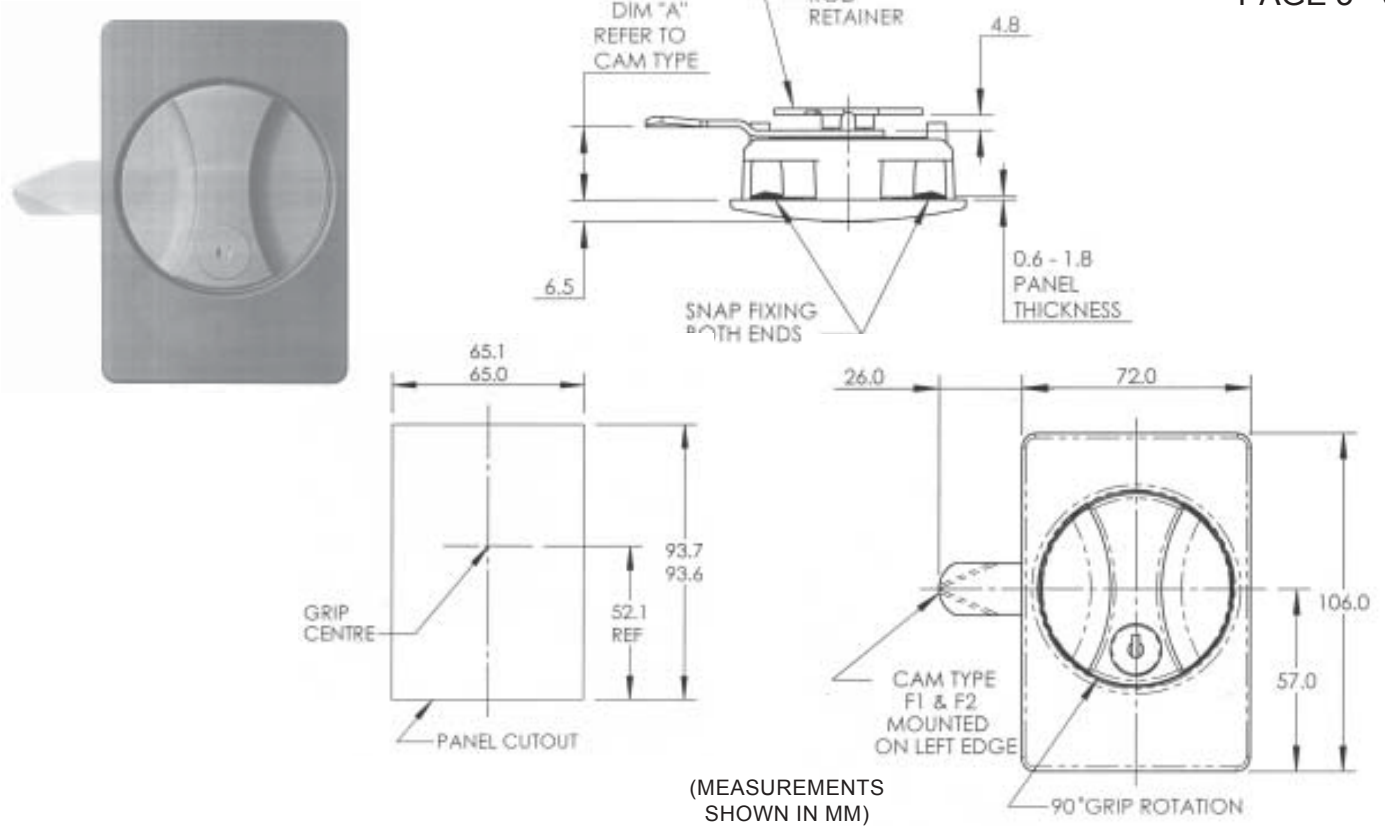


TOP VIEW ON LOCK

Ordering Details

	1/	2/	3/	4/	5/	6/	7/	8/	9/	10/	11/	12/	
ASSEMBLY	A												
MODEL		H	F	8	V								
KEY SERIES						C	L						CL001
						0	1						92268
FINISH								6					BLACK
MOVEMENT									-				50 DEGREES CLOCKWISE TO UNLOCK
GRIP FINISH										3			BRIGHT CHROME
CAM TYPE											3	1	FOR LEFT EDGE
											3	3	FOR RIGHT EDGE
EXAMPLE:	A/	H	F	8	V/	0	1/	6	-/	3	3	1	

FLUSH HANDLE 3 POINT LOCKING



APPLICATIONS
This lock is ideal for hinged doors requiring 3 point locking. The lock assembly is snap-in with rod retention designed to resist tempering. Application tool available. Part No. M/HFIT/1.

SPECIFICATIONS
Black pan and grip with warm-to-touch surface. Internal zinc alloy locking cell 90 degrees cam rotation.

CODE INFORMATION			
KEY SERIES		MOVEMENT	CAM TYPE
01	200 combinations	Non-mastered	L = Cam on left edge (as drawn) F1 = 22 mm cam set back
02	200 "	Mastered	R = Cam mounted on right edge F2 = 16 mm cam set back
07	500 "	Non-mastered	
08	500 "	Mastered	
11	2000 "	Non-mastered	
12	2000 "	Non-mastered	
17	2000 "	Non-mastered	
18	2000 "	Mastered	
CL	Keyed Alike specific combinations		

Ordering Details

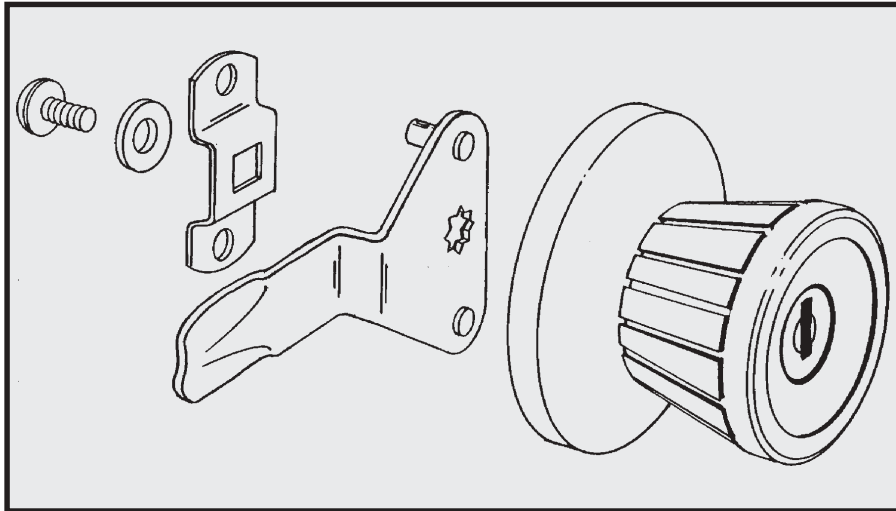
	1 /	2	3	4	5 /	6	7 /	8	9 /	10	11	12
ASSEMBLY	A											
MODEL		H	F	1	A							
KEY SERIES					*	*						
MOVEMENT							6	*				
CAM TYPE									-	*	*	
EXAMPLE:	A /	H	F	1	A /	*	* /	6	* /	-	*	*

FLUSH HANDLE CODES

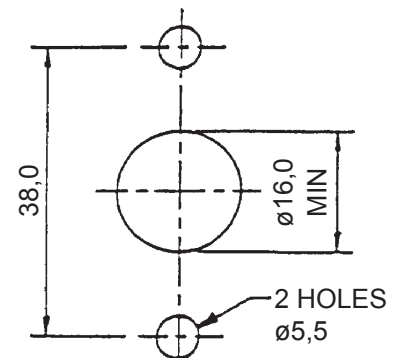


Flush Handle codes for the new Plastic Flush Handle												
A/HF1A/02/6L-F1												
A/	-	-	-	-	-	-	-	-	-	-	Assembly	
	H	-	-	-	-	-	-	-	-	-	Handle	
		-	-	-	-	-	-	-	-	-	Flush	
		1	-	-	-	-	-	-	-	-	New Plastic Model	Option W = Dust covered barrel
			A/	-	-	-	-	-	-	-	Plain Pan	Option X = Pan with label panel (or personalised to have specific detail)
				02/	-	-	-	-	-	-	Key Series	Options 01, 07, 08, 17, 18 non-locking (11, 12, CL, ES to follow)
					6	-	-	-	-	-	Black Pan/Black Grip	Options colour variations by specific detail
						L/	-	-	-	-	Cam on Left	Option R = Cam on right
							-	-	-	-	Fixing Detail	Option W = Wood fix, P = IP rated (panel thickness to be specified)
								F1	-	-	Cam Detail (22 mm set back)	Option F2 = 16 mm set back
Note:												
Panel cut-out details are the same as previous product												
Bar retainer detail has overcome any screw issues												
No need for additional spring clip to be fitted												
Barrel exchange facility available as an optional extra (A/HF1Z/** not available personalised)												
Locking in the open position standard												
Personalisation available as an optional extra, except when barrel exchange is required												

KNOB 3 POINT LOCKING

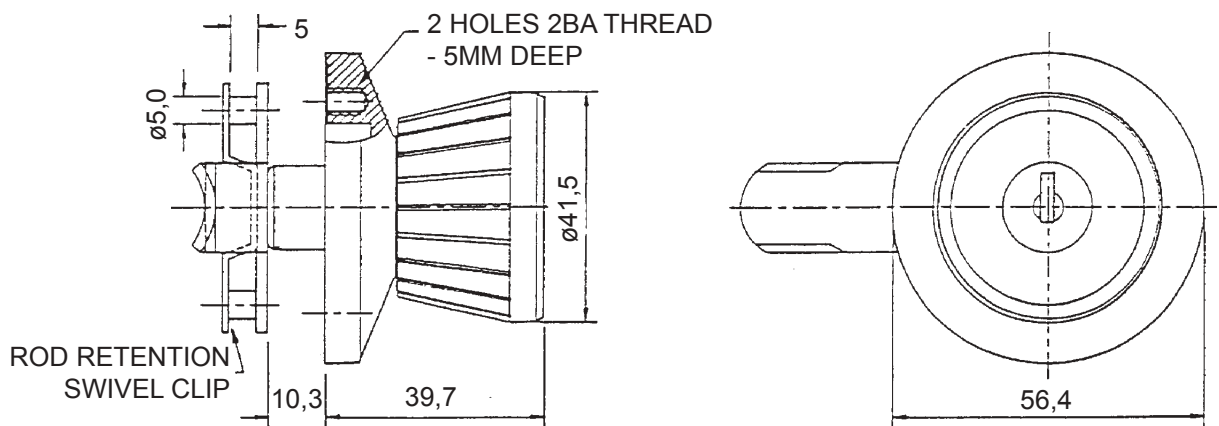


Fixing Hole Details



NOTE: NO RODS SUPPLIED

Dimensions



Ordering Details

	1 /	2	3	4	5 /	6	7 /	8	9 /	10	11	12	
ASSEMBLY	A												
MODEL		K	4	L	2								
KEY SERIES						0	1						92268
ROSE FINISH								4					SATIN CHROME
MOVEMENT									S				90 DEGREES CLOCKWISE TO UNLOCK
GRIP FINISH										6			BLACK
CAM TYPE											7	4	SEE ABOVE
EXAMPLE:	A /	K	4	L	2 /	0	1 /	4	S /	6	7	4	

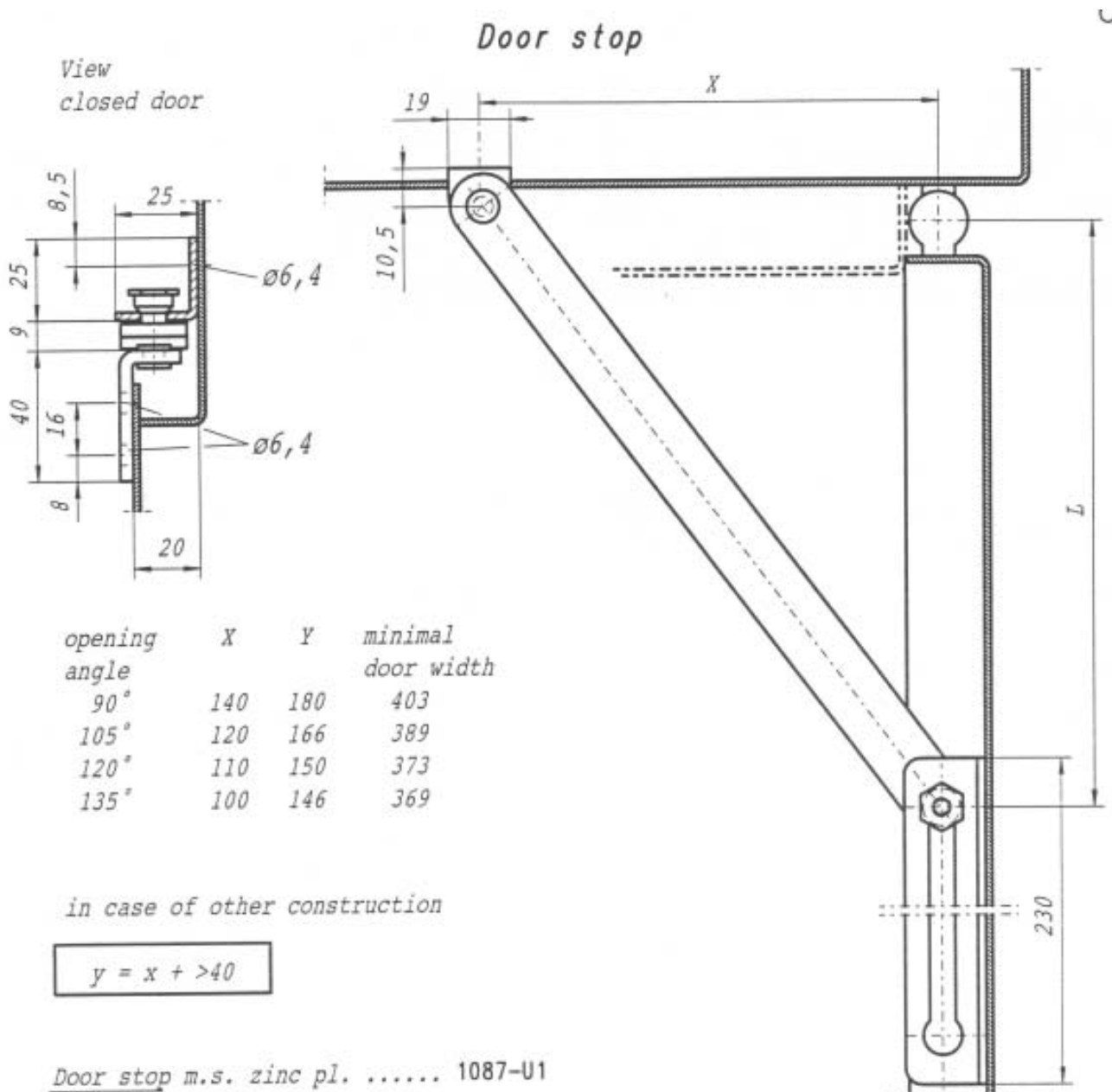
DOOR STAY MILD STEEL



Material

MILD STEEL

NOTE: HOLDS DOOR OPEN AT 90° AND 120°



Ordering Details

DOOR OPENING	CODE
UNIVERSAL MOUNTING	1087-U1