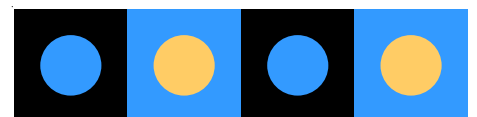
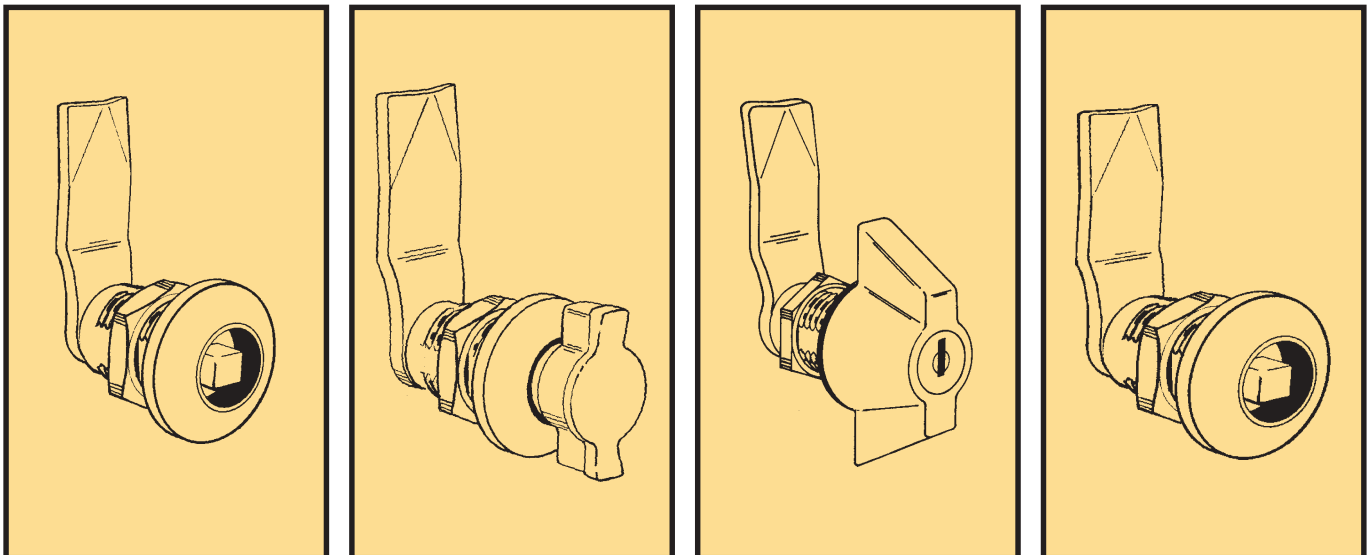


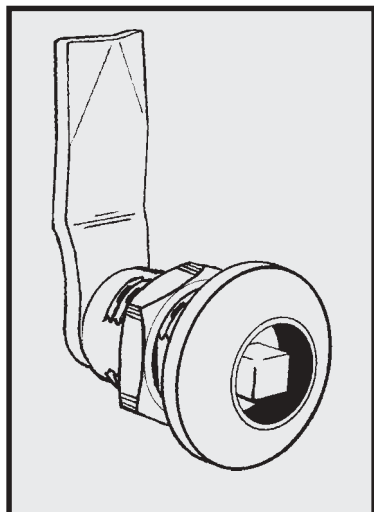
SECTION 1

SPANNER LOCKS

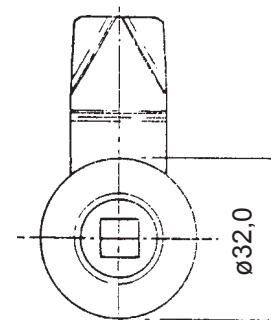
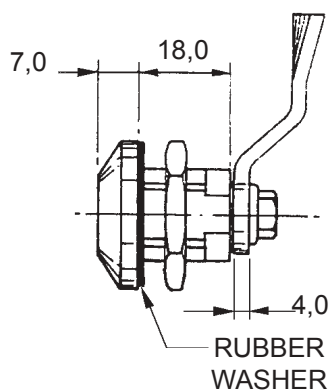


SPANNER LOCK

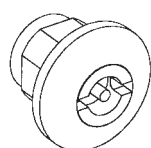
18 MM - IP65 RATED



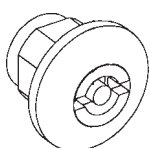
Dimensions



Barrel Inserts



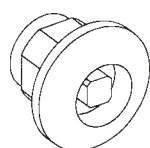
3P
3mm Pin



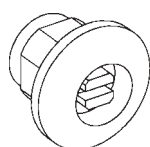
5P
5mm Pin



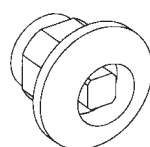
7F
7mm Female Square



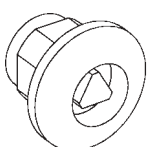
7S
7mm Square



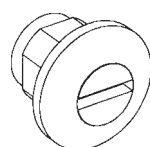
8D
8mm Square
2 mm Slot



8S
8mm Square

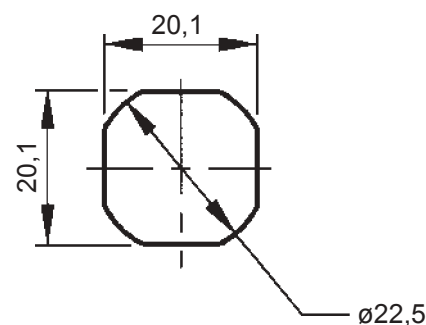


8T
8mm Triangle



DS
2mm Driver
Slot

Fixing Hole Details

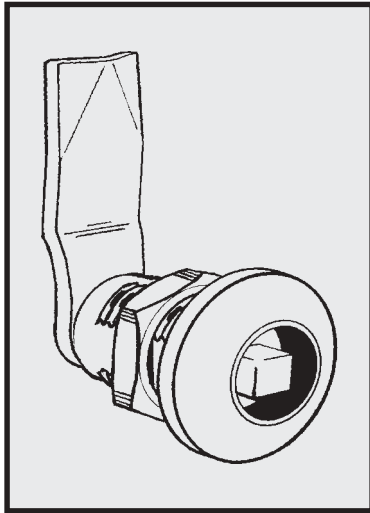


Ordering Details

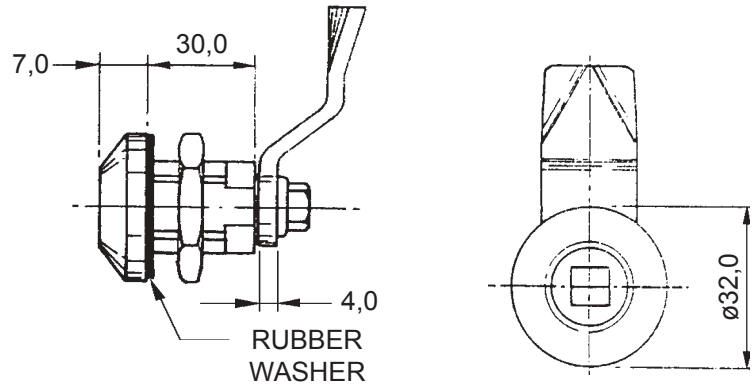
	1 /	2	3	4	5 /	6	7 /	8	9 /	10	11	12	
ASSEMBLY	A												
MODEL		S	R	1	8								
BARREL INSERT						*	*						SEE ABOVE
FINISH								3					BRIGHT CHROME
MOVEMENT									S				90 DEGREES CLOCKWISE TO UNLOCK
									A				90 DEGREES ANTI-CLOCKWISE TO UNLOCK
FIXING										H			NUT
CAM TYPE											*	*	REFER CAM DATA SHEET PAGE
EXAMPLE:	A /	S	R	1	8 /	7	S /	3	S /	H	S	1	

SPANNER LOCK

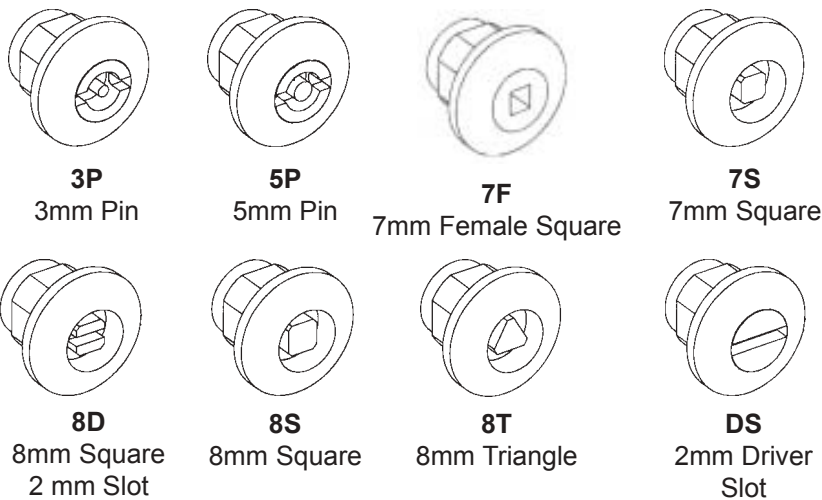
30 MM - IP65 RATED



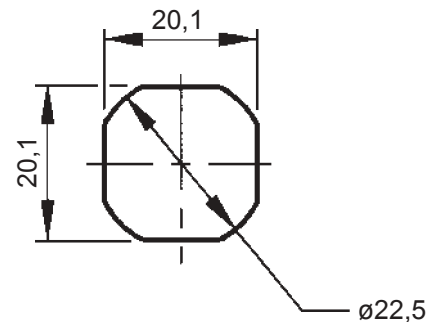
Dimensions



Barrel Inserts



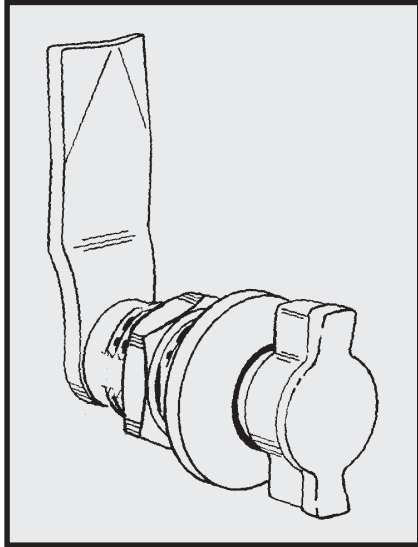
Fixing Hole Details



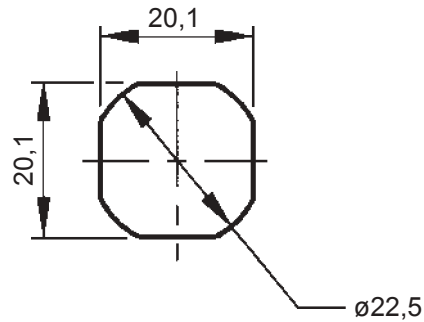
Ordering Details

	1	2	3	4	5 / 6	7 / 8	9 / 10	11	12	
ASSEMBLY	A									
MODEL		S	R	3	0					
BARREL INSERT					*	*				SEE ABOVE
FINISH							3			BRIGHT CHROME
MOVEMENT							S			90 DEGREES CLOCKWISE TO UNLOCK
							A			90 DEGREES ANTI-CLOCKWISE TO UNLOCK
FIXING								H		NUT
CAM TYPE								*	*	REFER CAM DATA SHEET PAGE
EXAMPLE:	A / S	R	3	0 / 7	S / 3	S / 3	S / H	S	1	

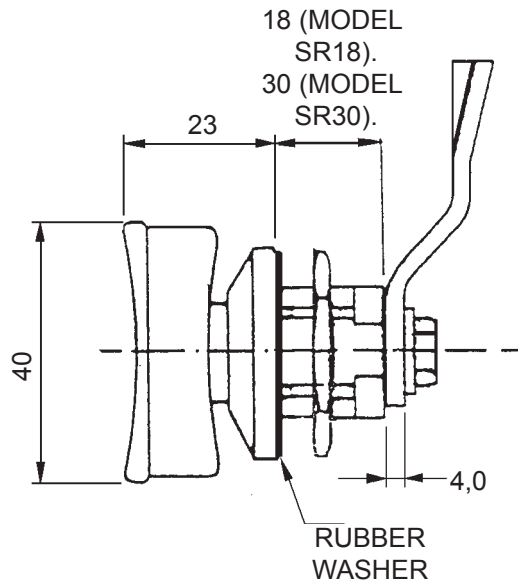
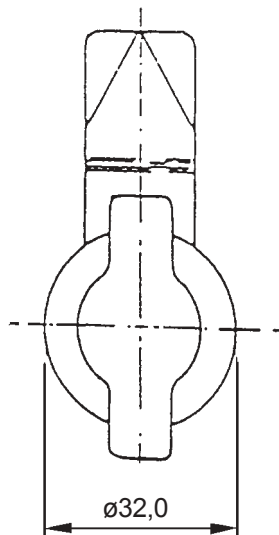
WING KNOB IP65 RATED



Fixing Hole Details



Dimensions



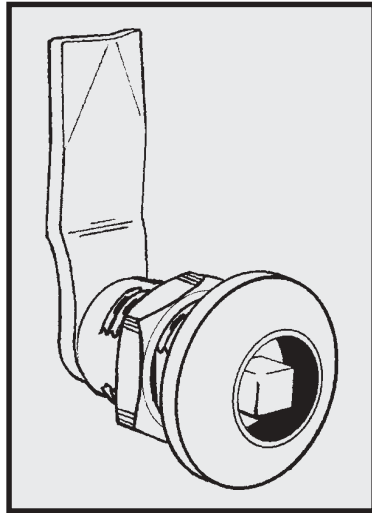
Ordering Details

	1 /	2	3	4	5 /	6	7 /	8	9 /	10	11	12	
ASSEMBLY	A												
MODEL		S	R	1	8								18 MM LONG HOUSING
		S	R	3	0								30 MM LONG HOUSING
WING KNOB						W	6						SEE ABOVE
FINISH								3					BRIGHT CHROME
MOVEMENT									S				90 DEGREES CLOCKWISE TO UNLOCK
									A				90 DEGREES ANTI-CLOCKWISE TO UNLOCK
FIXING										H			NUT
CAM TYPE											*	*	REFER CAM DATA SHEET PAGE
EXAMPLE:	A /	S	R	1	8 /	W	6 /	3	S /	H	S	1	

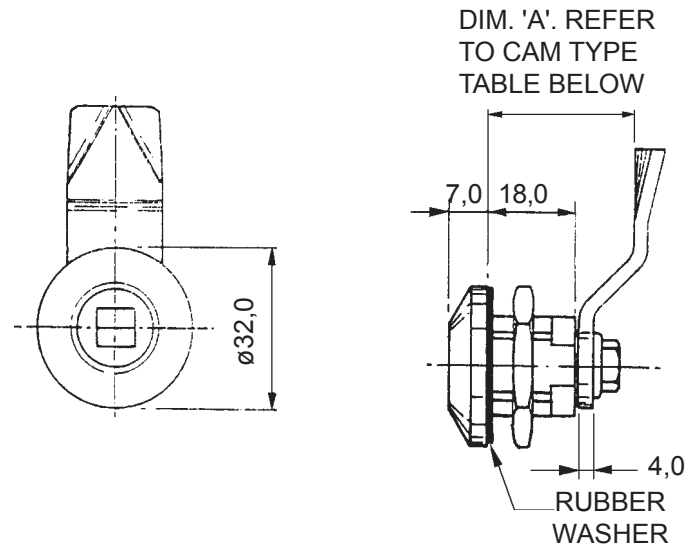
SPANNER LOCK

18 MM - STAINLESS STEEL

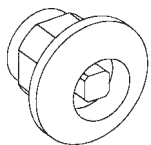
IP65 RATED



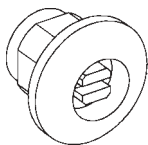
Dimensions



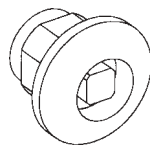
Barrel Inserts



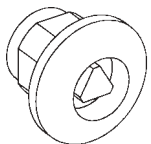
7S
7mm Square



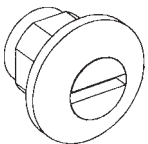
8D
8mm Square
2 mm Slot



8S
8mm Square

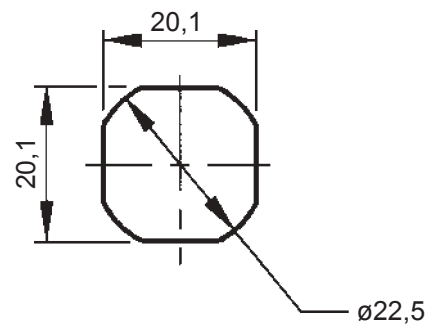


8T
8mm Triangle



DS
2mm Driver
Slot

Fixing Hole Details



Cam Type

CAM PART NO.	T1	T2	T66
DIM 'A' (MM)	28.3	18	26

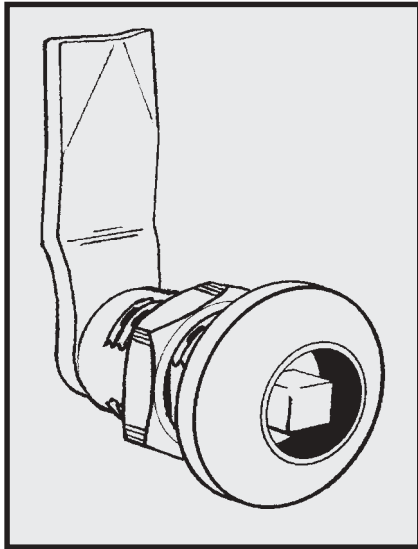
Ordering Details

	1 /	2	3	4	5 /	6	7 /	8	9 /	10	11	12	
ASSEMBLY	A												
MODEL	S	R	1	8									
BARREL INSERT					*	*							SEE ABOVE
FINISH								S					STAINLESS STEEL
MOVEMENT									S				90 DEGREES CLOCKWISE TO UNLOCK
FIXING										H			NUT
CAM TYPE											*	*	REFER CAM TYPE TABLE ABOVE
EXAMPLE:	A /	S	R	1	8 /	7	S /	S	S /	H	T	1	

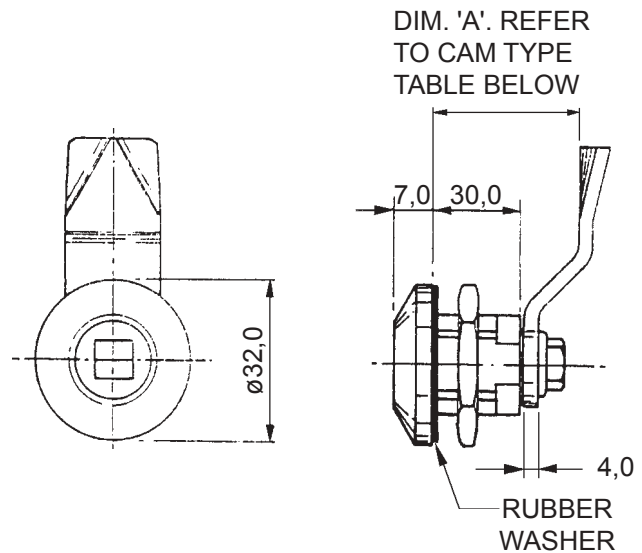
SPANNER LOCK

30 MM - STAINLESS STEEL

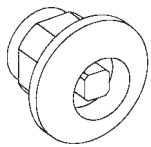
IP65 RATED



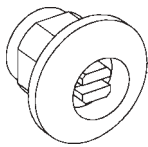
Dimensions



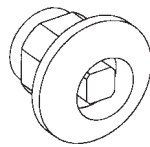
Barrel Inserts



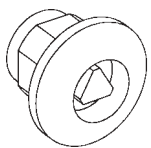
7S
7mm Square



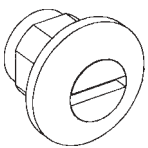
8D
8mm Square
2 mm Slot



8S
8mm Square

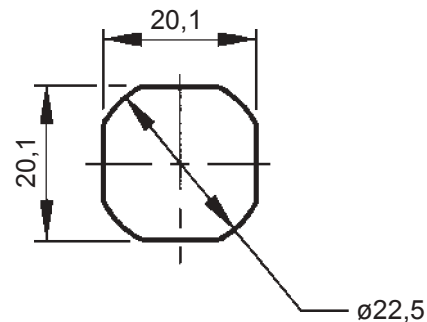


8T
8mm Triangle



DS
2mm Driver
Slot

Fixing Hole Details



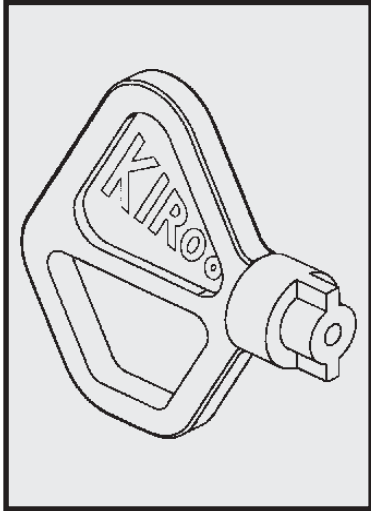
Cam Type

CAM PART NO.	T1	T2	T66
DIM 'A' (MM)	40.3	30	38

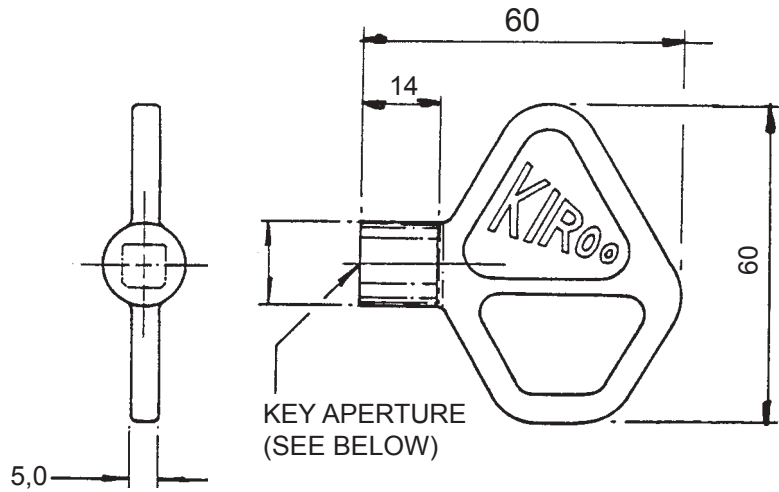
Ordering Details

	1 /	2	3	4	5 /	6	7 /	8	9 /	10	11	12	
ASSEMBLY	A												
MODEL		S	R	3	0								
BARREL INSERT						*	*						SEE ABOVE
FINISH								S					STAINLESS STEEL
MOVEMENT									S				90 DEGREES CLOCKWISE TO UNLOCK
FIXING										H			NUT
CAM TYPE											*	*	REFER CAM TYPE TABLE ABOVE
EXAMPLE:	A /	S	R	3	0 /	7	S /	S	S /	H	T	1	

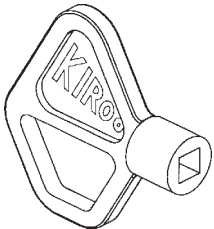
SPANNER LOCK KEY



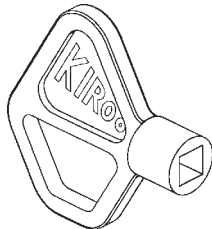
Dimensions



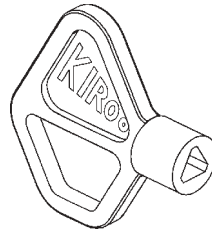
Key Apertures



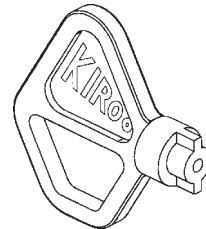
7S
7mm Square



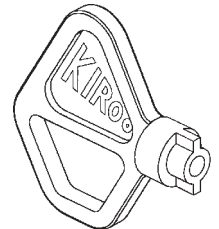
8S
8mm Square



8T
8mm Triangle



3P
3mm Pin

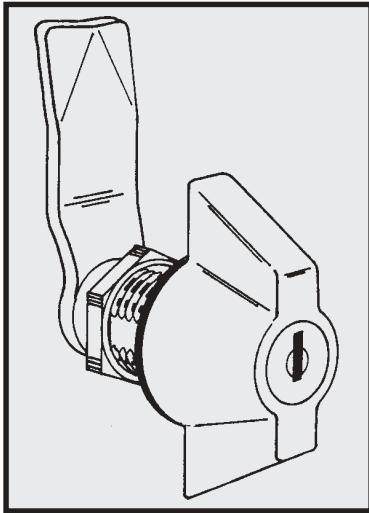


5p
5mm Pin

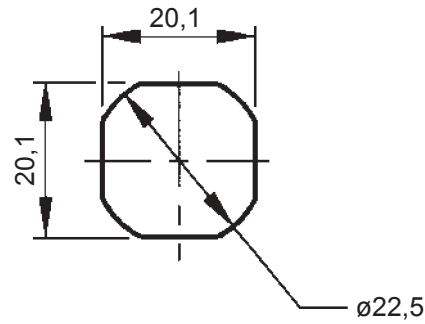
Ordering Details

	1 /	2	3	4	5 /	6	7 /	8	9 /	10	11	12	
ASSEMBLY	Z												
MODEL		D	K	E	Y								
KEY APERTURE					*	*							SEE ABOVE
FINISH							1						ZINC-PLATED
EXAMPLE:	Z /	D	K	E	Y /	7	S /	1	- /	-	-	-	

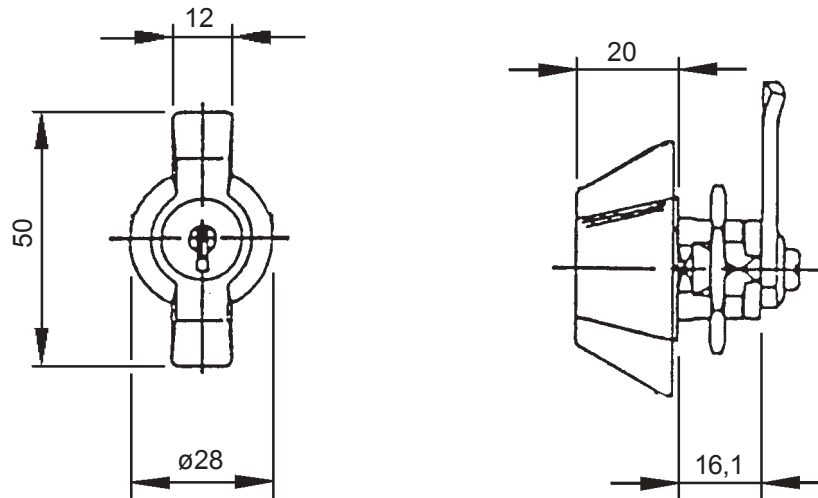
WING HANDLE IP65 RATED



Fixing Hole Details



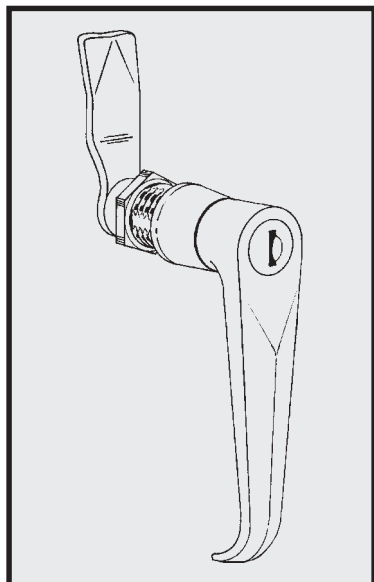
Dimensions



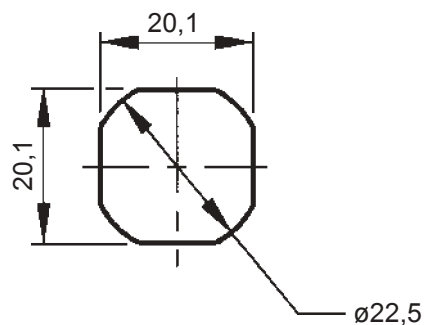
Ordering Details

	1 /	2	3	4	5 /	6	7 /	8	9 /	10	11	12	
ASSEMBLY	A												
MODEL		H	W	-	T								
KEY SERIES						0	1						KEY NO. 92268 - OTHER KEY CODES AVAILABLE
						-	-						NON-LOCKING
FINISH								3					BRIGHT CHROME
MOVEMENT									S				90 DEGREES CLOCKWISE TO UNLOCK
									A				90 DEGREES ANTI-CLOCKWISE TO UNLOCK
FIXING										H			NUT
CAM TYPE											*	*	REFER CAM DATA SHEET PAGE
EXAMPLE:	A /	H	W	-	T /	0	1 /	3	S /	H	S	1	

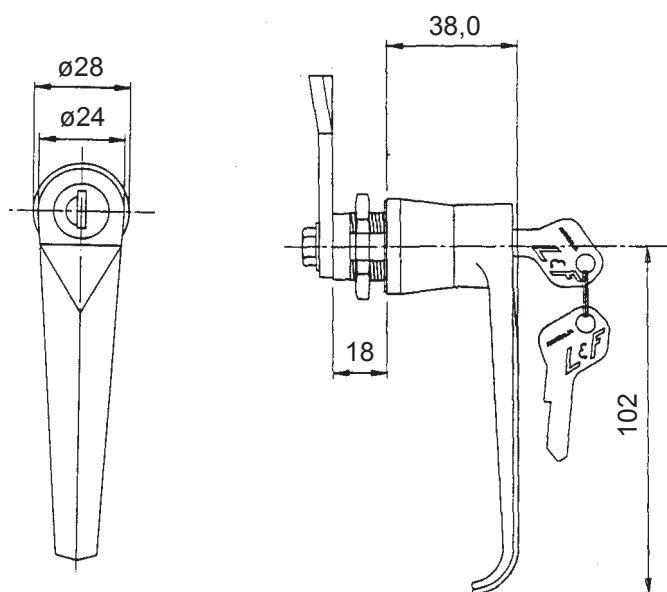
LEVER HANDLE IP65 RATED



Fixing Hole Details



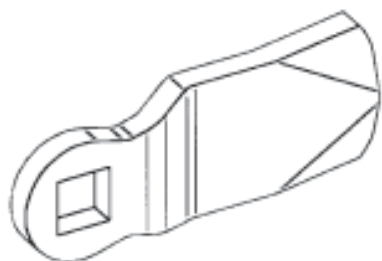
Dimensions



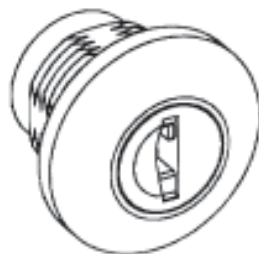
Ordering Details

	1 /	2	3	4	5 /	6	7 /	8	9 /	10	11	12	
ASSEMBLY	A												
MODEL		H	L	-	T								
KEY SERIES						0	1						KEY NO. 92268 - OTHER KEY CODES AVAILABLE
						-	-						NON-LOCKING
FINISH								3					BRIGHT CHROME
MOVEMENT									S				90 DEGREES CLOCKWISE TO UNLOCK
									A				90 DEGREES ANTI-CLOCKWISE TO UNLOCK
FIXING										H			NUT
CAM TYPE											*	*	REFER CAM DATA SHEET PAGE
EXAMPLE:	A /	H	L	-	T /	0	1 /	3	S /	H	S	1	

LOCKABLE SPANNER LOCK - 18 MM



CAM



LOCK

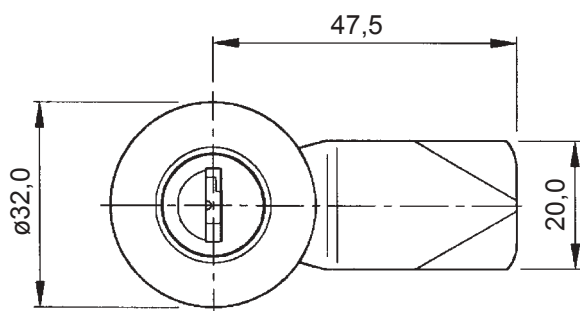


LOCK
FIXING NUT



RUBBER
WASHER

Dimensions

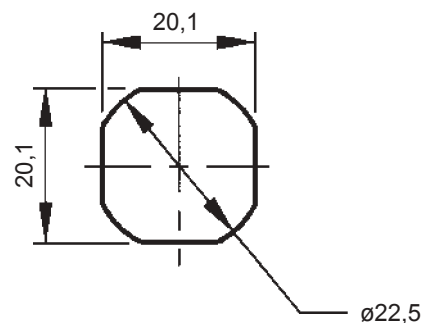
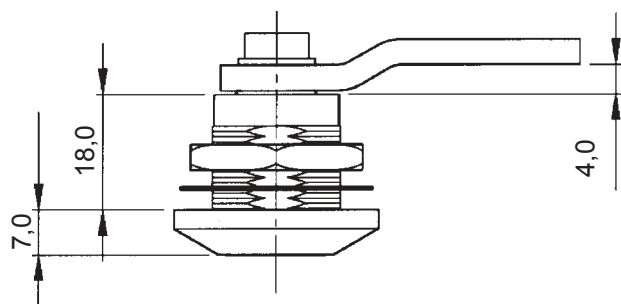


CAM FIXING
SCREW



'O' RING

Fixing Hole Details

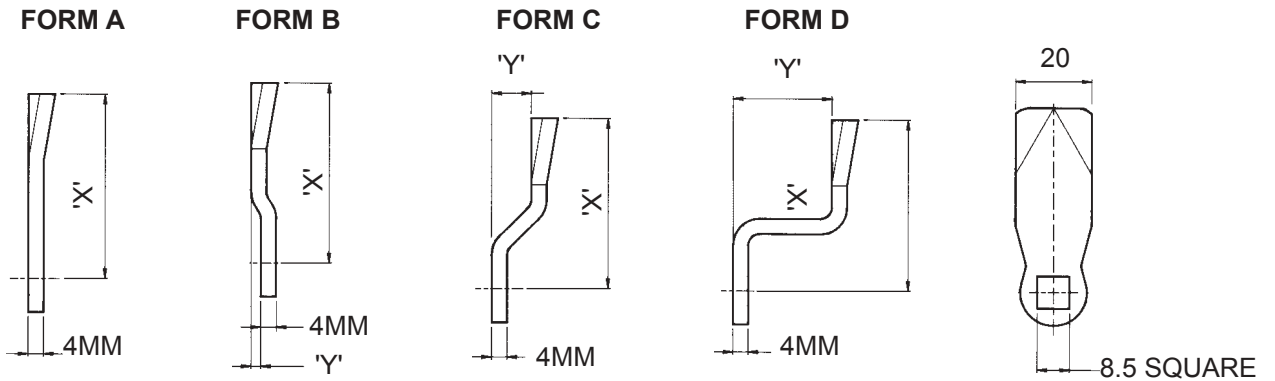


Ordering Details

	1 /	2	3	4	5 /	6	7 /	8	9 /	10	11	12	
ASSEMBLY	A												
MODEL		S	P	1	8								ROUND FACE
KEY SERIES						C	L						CL SERIES
						0	1						92268
FINISH								3					BRIGHT CHROME
MOVEMENT									C				90 DEGREES CLOCKWISE TO UNLOCK
FIXING										H			NUT
CAM TYPE											S	C	4 MM OFFSET
EXAMPLE:	A /	S	P	1	8 /	*	* /	3	C /	H	S	C	

Spanner Lock Cam

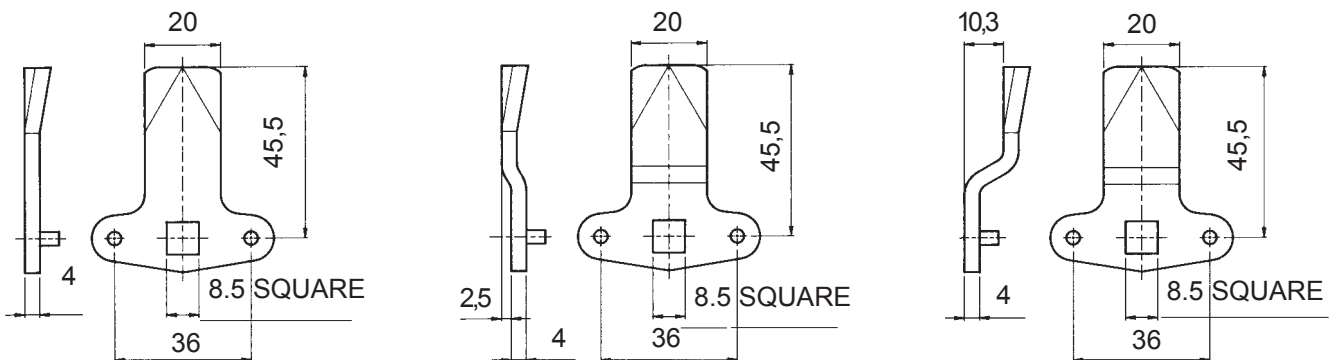
ORDERING DETAILS: P/CAM-/S*



CAM PART NO.	S1	S2	S3	S6	S8	S9	SA	SB	SC	SD	SE	SF	SJ	SK	SL	SM
FORM	C	A	C	C	C	D	D	D	C	D	D	B	C	D	C	C
DIM 'Y'	10.5	-	2	8	14	26	32	39	4	21	29	4	11	29	6	3.5
DIM 'X'	44.3	48.4	48	46.3	45	45	45	45	47.4	45	45	45	34	32	44	37

3 Point Spanner Lock Cam

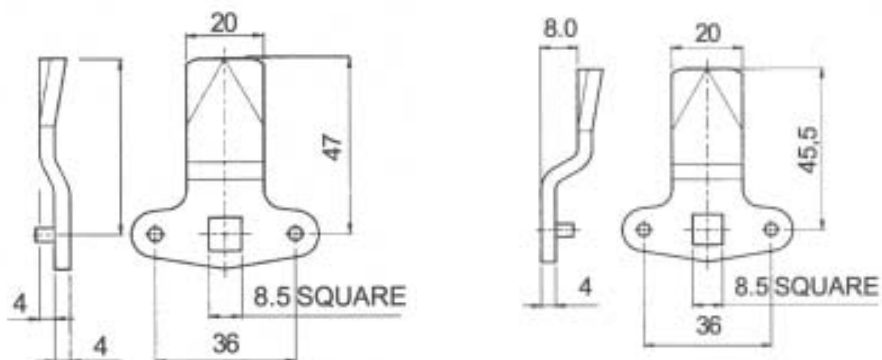
ORDERING DETAILS: P/CAM-/3*



CAM PART NO: 3A

CAM PART NO: 3B

CAM PART NO: 3C



CAM PART NO: 3D

CAM PART NO: 3E