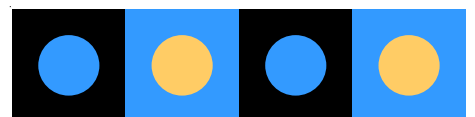
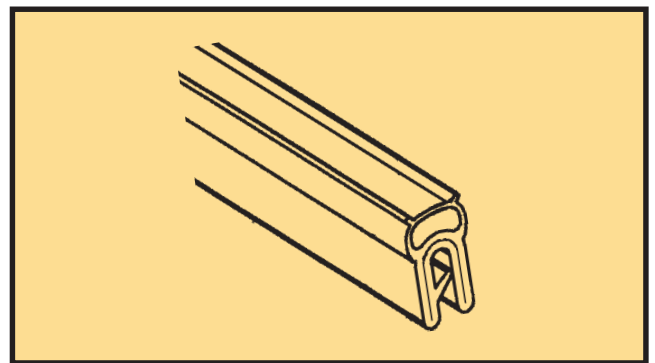
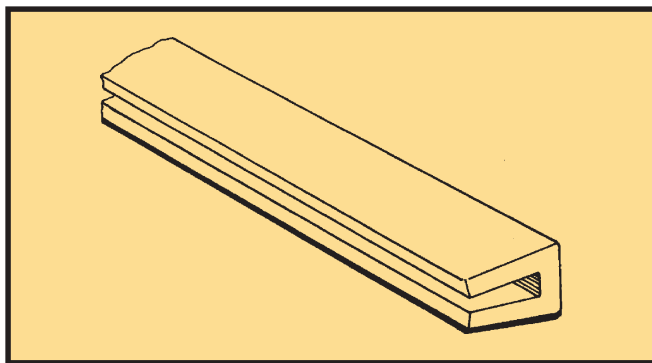
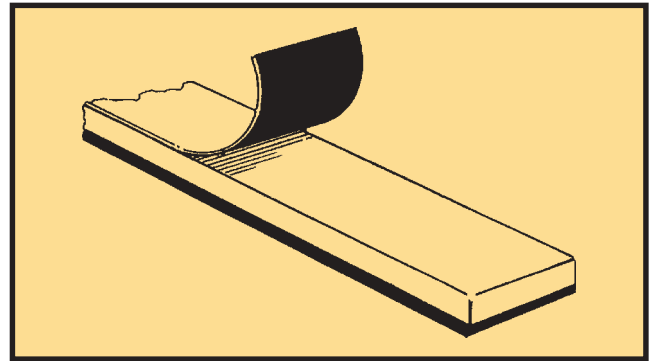
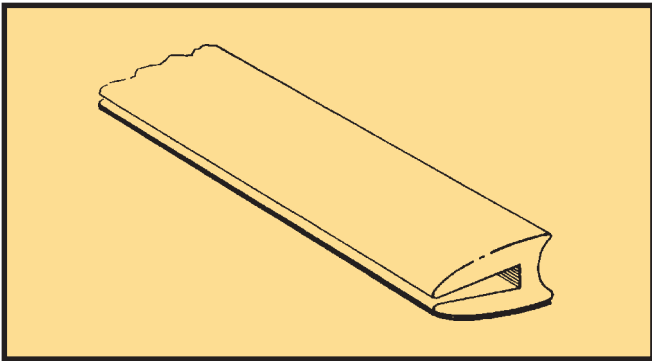


SECTION 7 - RUBBER EXTRUSIONS

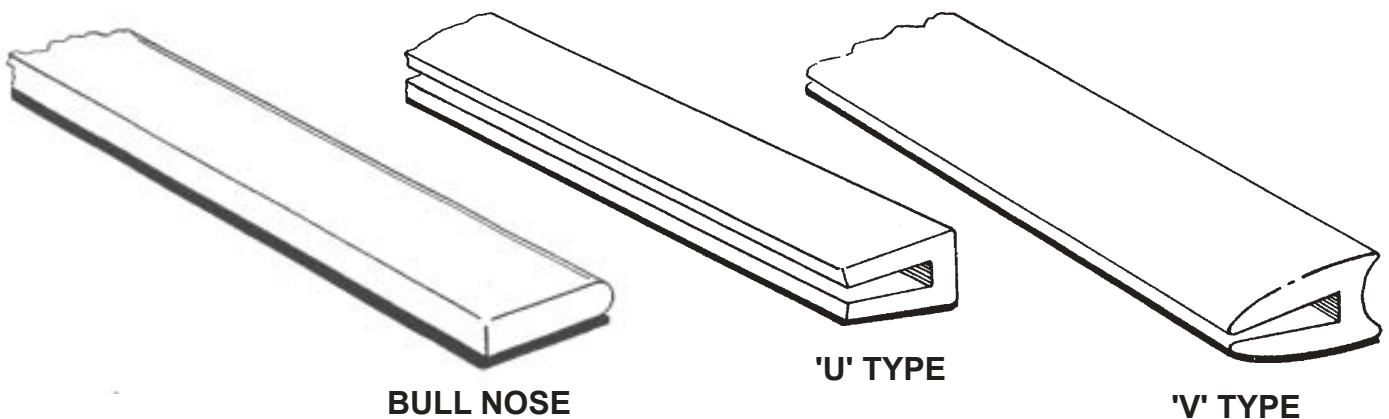


SEALING STRIP SECTIONS

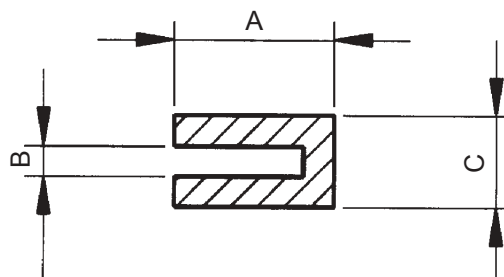


Material

NEOPRENE RUBBER



Dimensions



Ordering Details

PART CODE	TYPE	DIM A	DIM B	DIM C
M/RUB1/06/V-/-	V	10.5	1.5 TO 2	6
M/RUB0/75/U-/-	U	7.5	0.9 TO 1.4	5
M/RUB2/56/B-/-	BULL NOSE	25	6	-

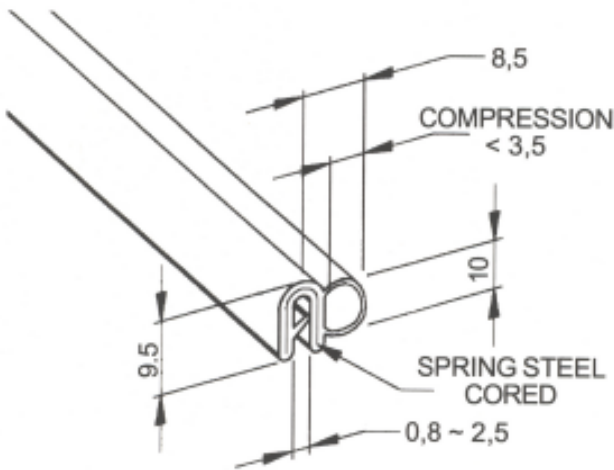
SEALING STRIP SELF-GRIPPING



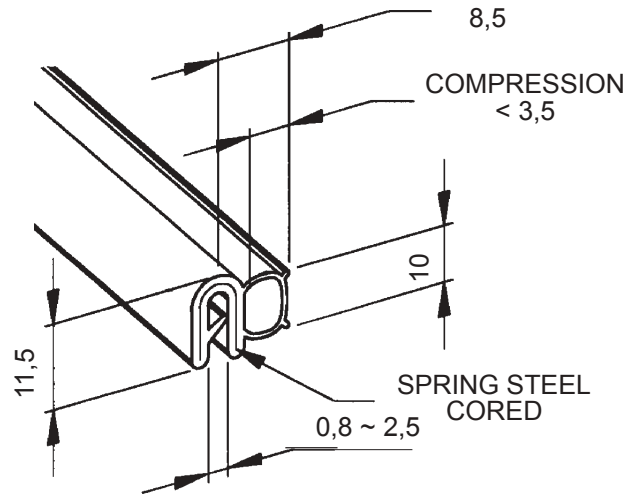
Material

EPDM

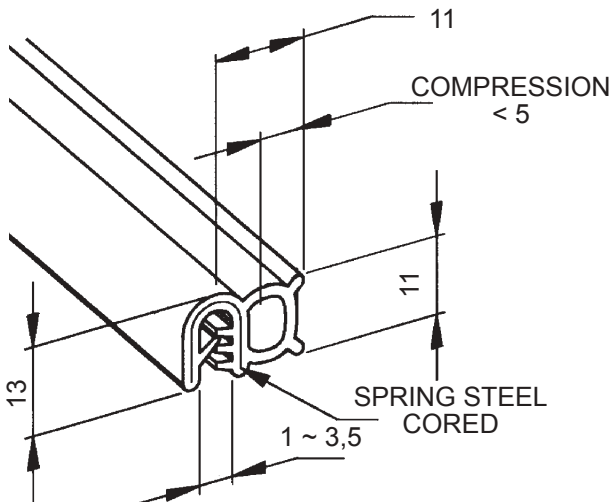
ROLL SIZE 50 METRES



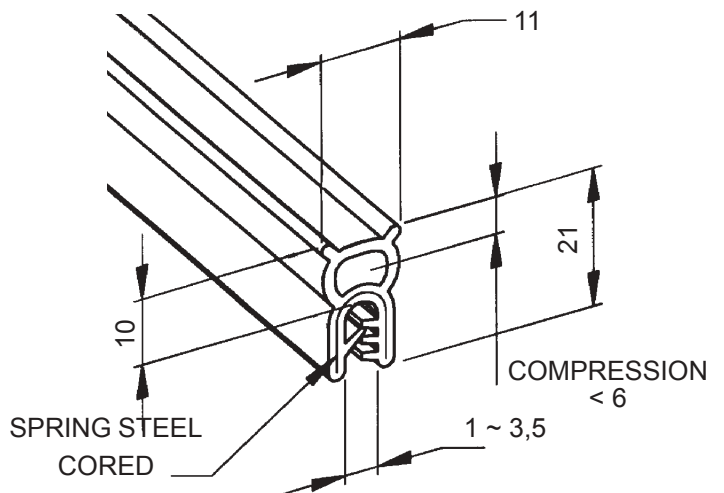
CODE: M/RUBS/06/10/-SC



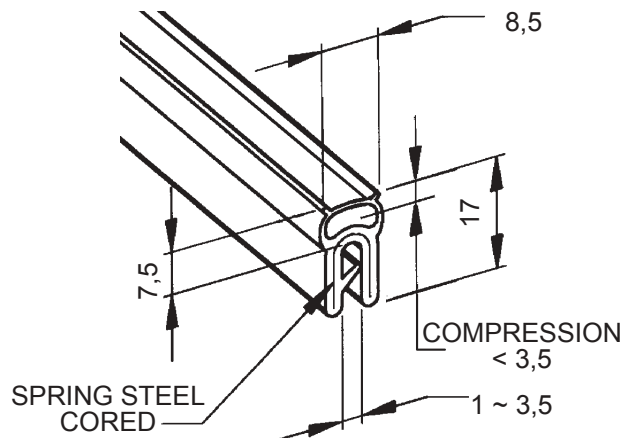
CODE: M/RUBS/12/11/-SC



CODE: M/RUBS/15/13/-SC

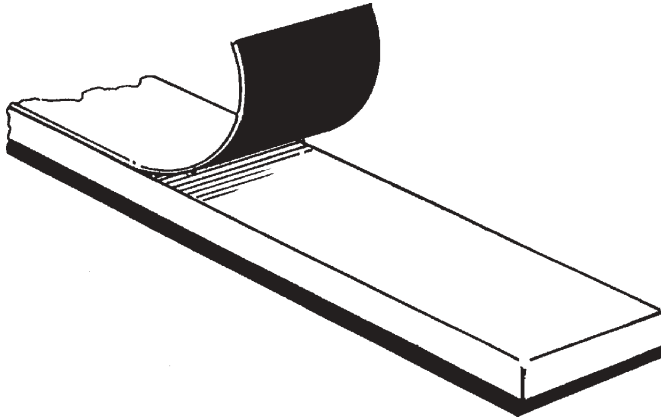


CODE: M/RUBT/11/21/-SC



CODE: M/RUBT/16/08/-SC

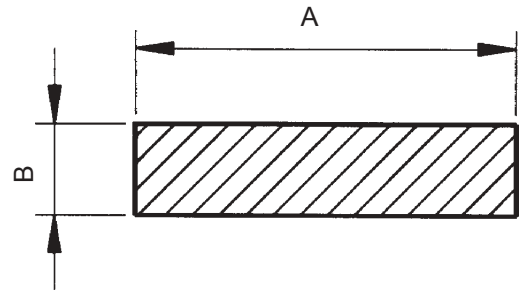
SEALING STRIP SELF-ADHESIVE



Material

PVC NITRILE

Dimensions



Ordering Details

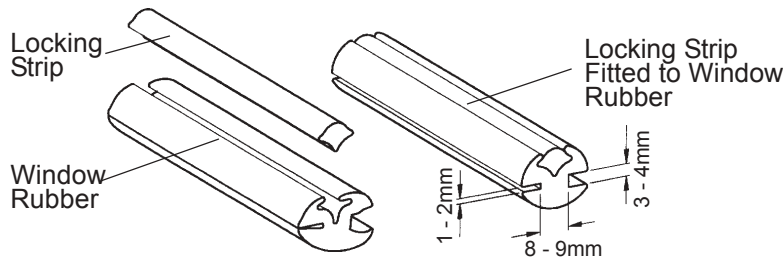
PART CODE	DIM A	DIM B	M/ROLL
M/RUB0/84/SH/---	8	4	16.5
M/RUB0/93/SH/---	9	3	25.0
M/RUB0/96/SH/---	9	6	12.5
M/RUB1/21/SH/---	12	12	7.0
M/RUB1/23/SH/---	12	3	25.0
M/RUB1/26/SH/---	12	6	12.5
M/RUB1/53/SH/---	15	3	25.0
M/RUB1/56/SH/---	15	6	12.5
M/RUB1/83/SH/---	18	3	25.0
M/RUB1/86/SH/---	18	6	12.5
M/RUB2/03/SH/---	20	3	25.0
M/RUB2/06/SH/---	20	6	12.5
M/RUB2/43/SH/---	24	3	25.0
M/RUB2/46/SH/---	24	6	12.5
M/RUB3/06/SH/---	30	6	12.5
M/RUB3/56/SH/---	35	6	12.5
OTHER SIZES AVAILABLE			

WINDOW RUBBER

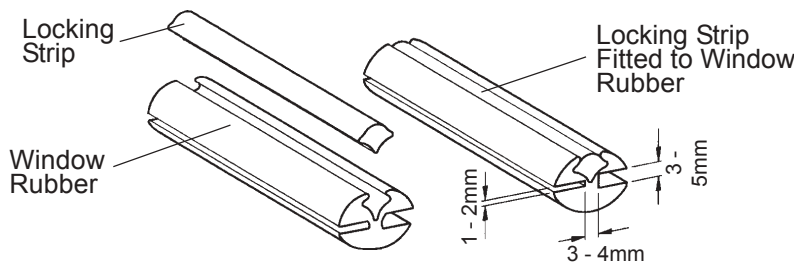


THIS PRODUCT IS USED FOR INSTALLING WINDOWS INTO SHEETMETAL PANELS.
THIS IS DONE BY FOLLOWING THESE STEPS:

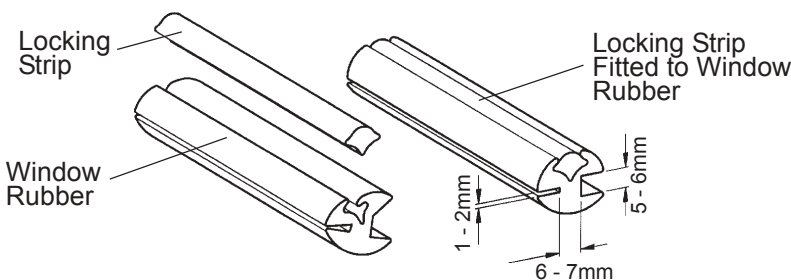
1. FIT PANELS TO THE SLOTS IN THE WINDOW RUBBER.
2. FIT THE LOCKING STRIP TO THE WINDOW RUBBER (THIS PREVENTS THE WINDOW RUBBER FROM SPREADING APART, KEEPING THE WINDOW SECURELY LOCATED).



Ordering Details:
M/RUBW/12/34/8-9



Ordering Details:
M/RUBW/12/35/3-4



Ordering Details:
M/RUBW/12/56/6-7

RUBBER & SPONGE PVC/EPDM - SELF-GRIPPING



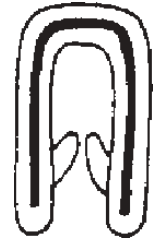
66-059
Black



66-035
Black



66-037
Black



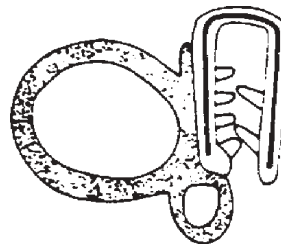
66-056
Black



66-036/1 Charcoal
66-036/2 Black
66-036/3 Brown
66-036/4 Tan
66-036/5 Grey



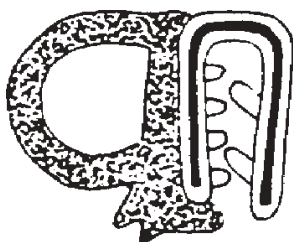
66-081
Black



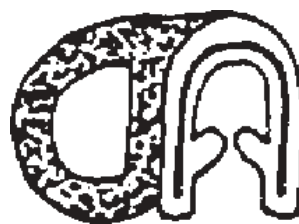
60-054
Black



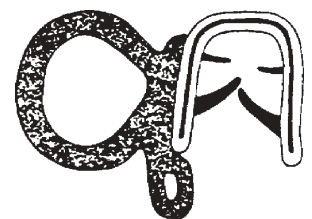
60-800 Camel
60-801 Charcoal
60-802 Blue Grey



66-055
Black



66-058
Black



66-800S Camel
60-801S Charcoal
60-802S Blue/Grey

ALL THE ABOVE SUPPLIED IN 50 M COILS

SPONGE RUBBER VARIOUS SHAPES



5 mm Dia.
P4-60-0-216



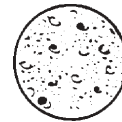
7 mm Dia.
P4-60-0-143



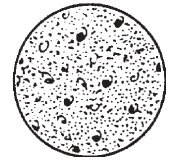
10 mm Dia.
P4-60-0-138



12.5 mm Dia.
P4-60-0-142



15 mm Dia.
P4-60-0-144



19 mm Dia.
P4-60-0-498



1.5 mm x 25 mm
P4-60-0-506



3 mm x 8 mm
P4-60-0-499



3 mm x 13 mm
P4-60-0-398



3 mm x 32 mm
P4-60-0-497



3 mm x 38 mm
P4-60-0-495



3 mm x 25 mm
P4-60-0-399



4.5 mm x 10 mm
P4-60-0-507



4.5 mm x 17.5 mm
P4-60-0-503



4.5 mm x 25 mm
P4-60-0-496



4.5 mm x 38 mm
P4-60-0-505



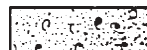
5 mm x 13 mm
P4-60-0-485



6 mm x 6 mm
P4-60-0-400



6 mm x 13 mm
P4-60-0-401



6 mm x 19 mm
P4-60-0-402



6 mm x 25 mm
P4-60-0-403



6 mm x 32 mm
P4-60-0-431



6 mm x 13 mm
P4-60-0-401



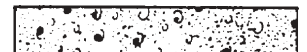
6 mm x 19 mm
P4-60-0-402



6 mm x 25 mm
P4-60-0-403



6 mm x 32 mm
P4-60-0-431



6 mm x 38 mm
P4-60-0-404



6 mm x 50 mm
P4-60-0-488



6 mm x 70 mm
P4-60-0-433



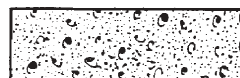
8 mm x 10 mm
P4-60-0-504



10 mm x 10 mm
P4-60-0-405



10 mm x 13 mm
P4-60-0-406



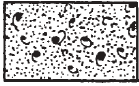
10 mm x 32 mm
P4-60-0-407



10 mm x 25 mm
P4-60-0-487

Coil sizes vary depending on section but are usually 30 m

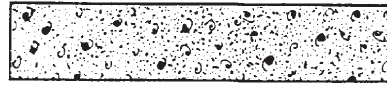
SPONGE RUBBER REGULAR SHAPES



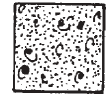
10 mm x 17.5 mm
P4-60-0-501



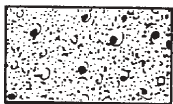
10 mm x 38 mm
P4-60-0-545



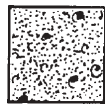
10 mm x 50 mm
P4-60-0-546



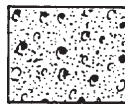
11.5 mm x 11.5 mm
P4-60-0-502



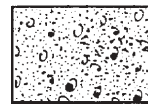
12.5 mm x 22 mm
P4-60-0-500



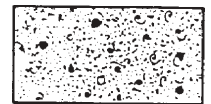
13 mm x 13 mm
P4-60-0-408



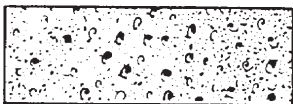
13 mm x 16 mm
P4-60-0-409



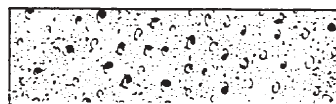
13 mm x 19 mm
P4-60-0-410



13 mm x 25 mm
P4-60-0-411



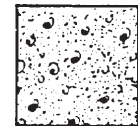
13 mm x 38 mm
P4-60-0-412



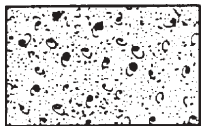
13 mm x 44 mm
P4-60-0-413



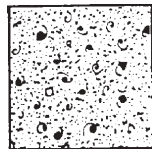
13 mm x 50 mm
P4-60-0-414



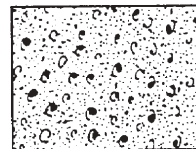
16 mm x 16 mm
P4-60-0-415



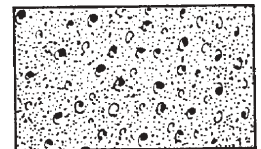
16 mm x 25 mm
P4-60-0-417



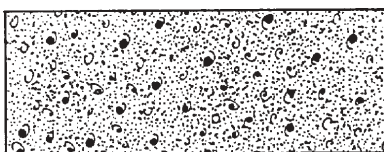
19 mm x 19 mm
P4-60-0-423



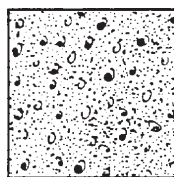
19 mm x 25 mm
P4-60-0-427



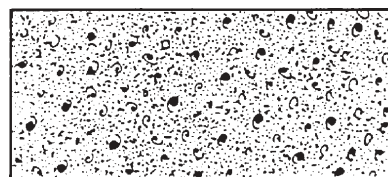
19 mm x 32 mm
P4-60-0-424



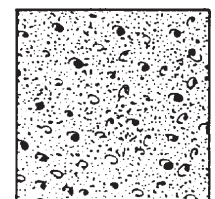
19 mm x 50 mm
P4-60-0-426



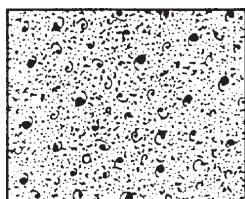
22 mm x 22 mm
P4-60-0-463



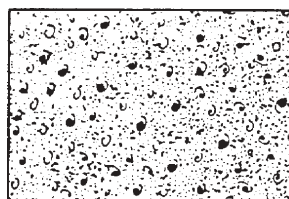
22 mm x 50 mm
P4-60-0-472



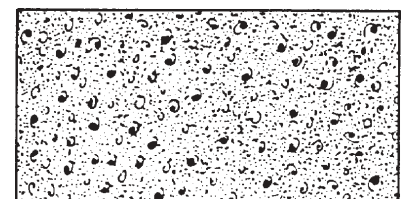
25 mm x 25 mm
P4-60-0-428



25 mm x 32 mm
P4-60-0-467



25 mm x 38 mm
P4-60-0-429



25 mm x 50 mm
P4-60-0-473

Coil sizes vary depending on section but are usually 30 m