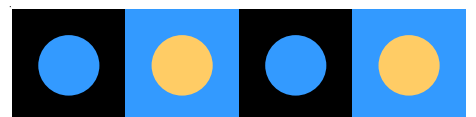
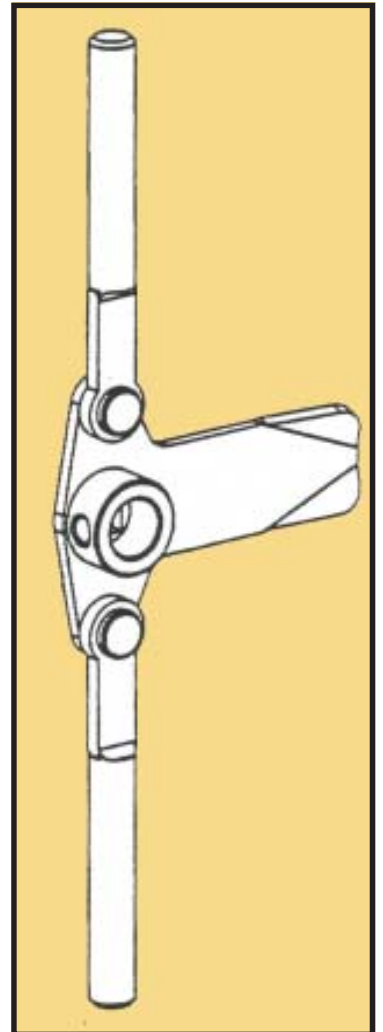
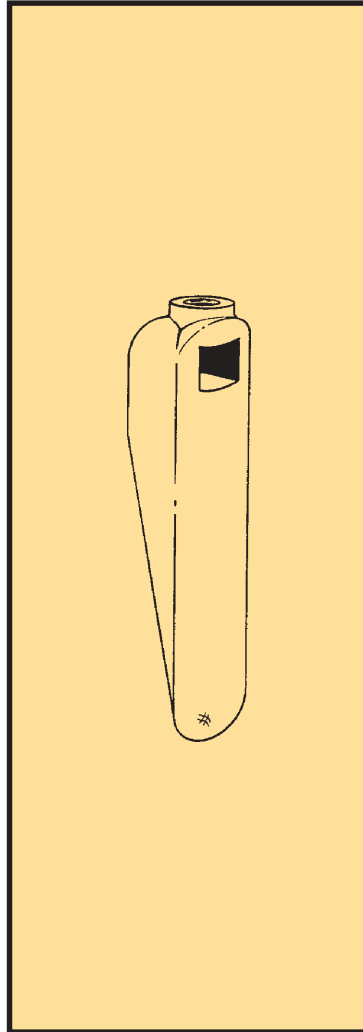
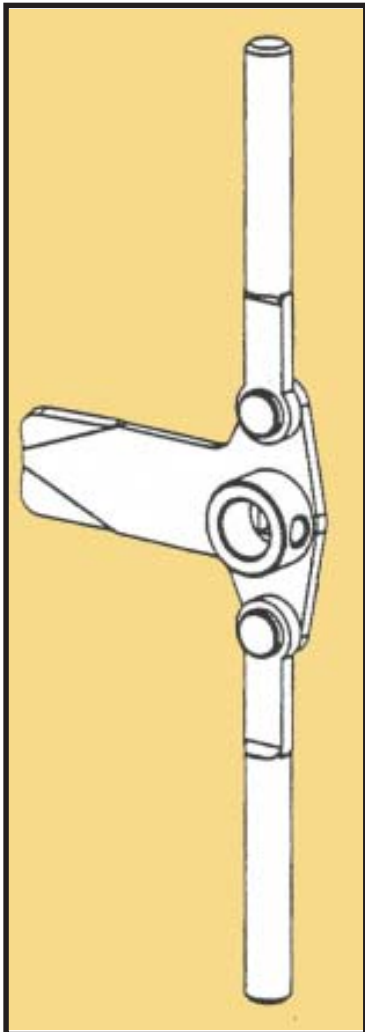
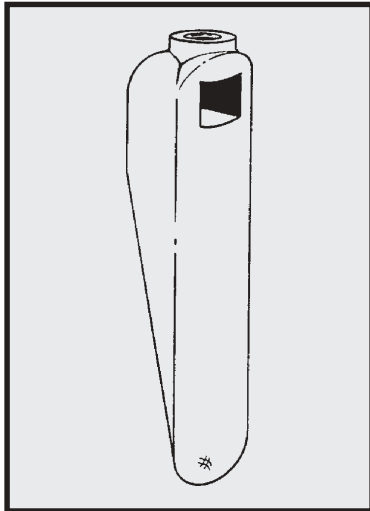


SECTION 4 - HANDLE ACCESSORIES





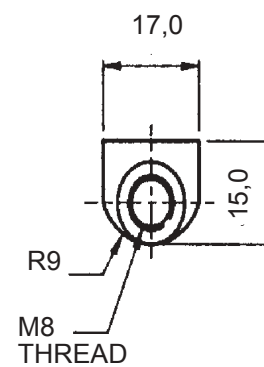
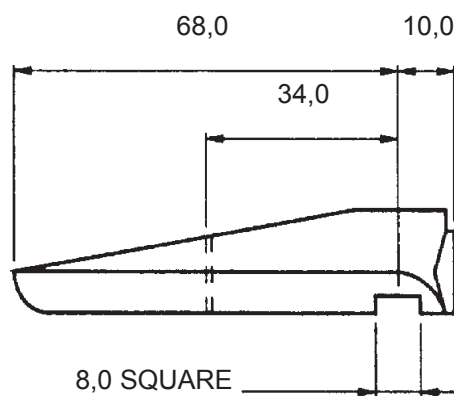
Material

ZINC

Ordering Details

A/DCAM/99/0/-/---

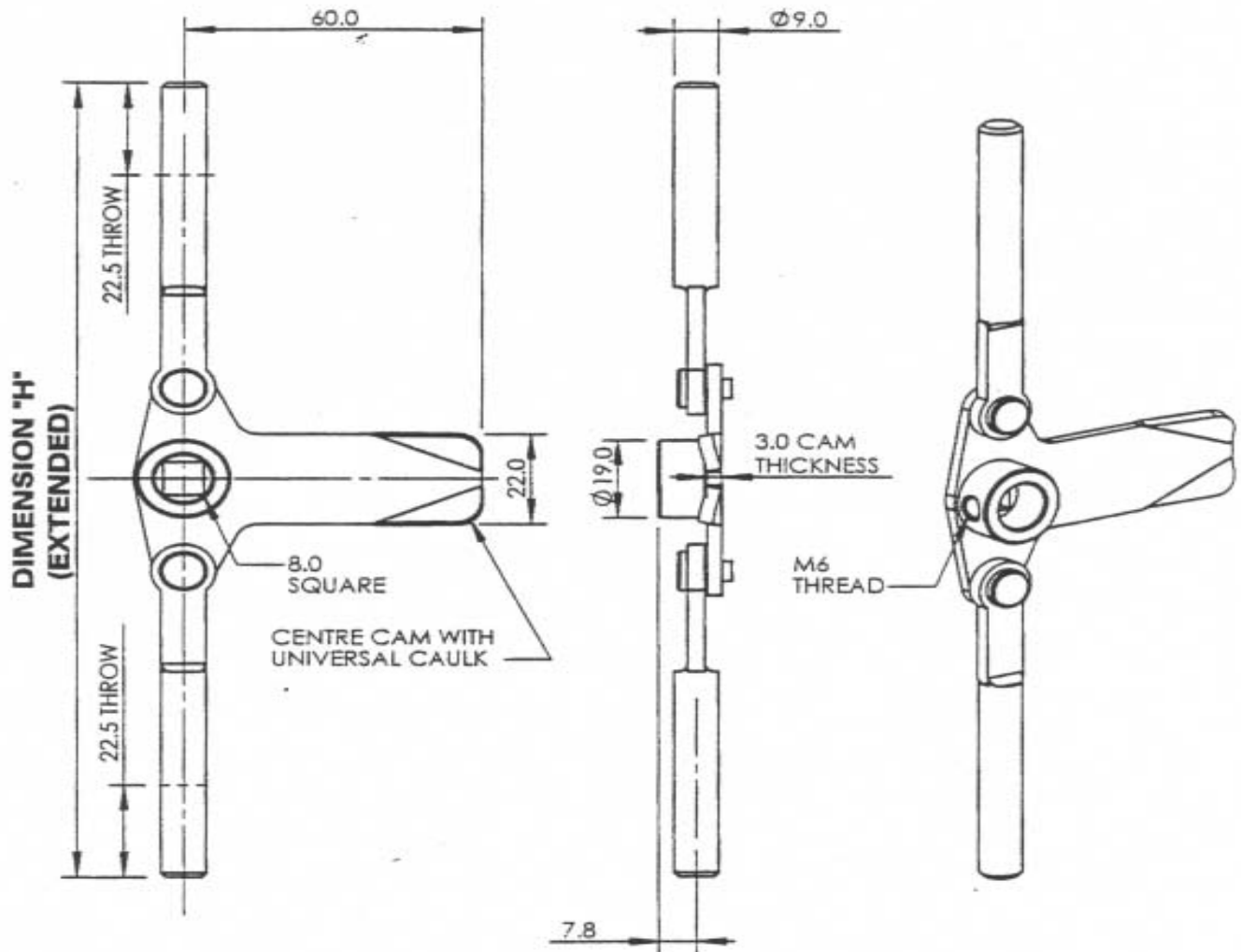
Dimensions



UNIVERSAL 3 POINT LOCKING HANDLE MECHANISM



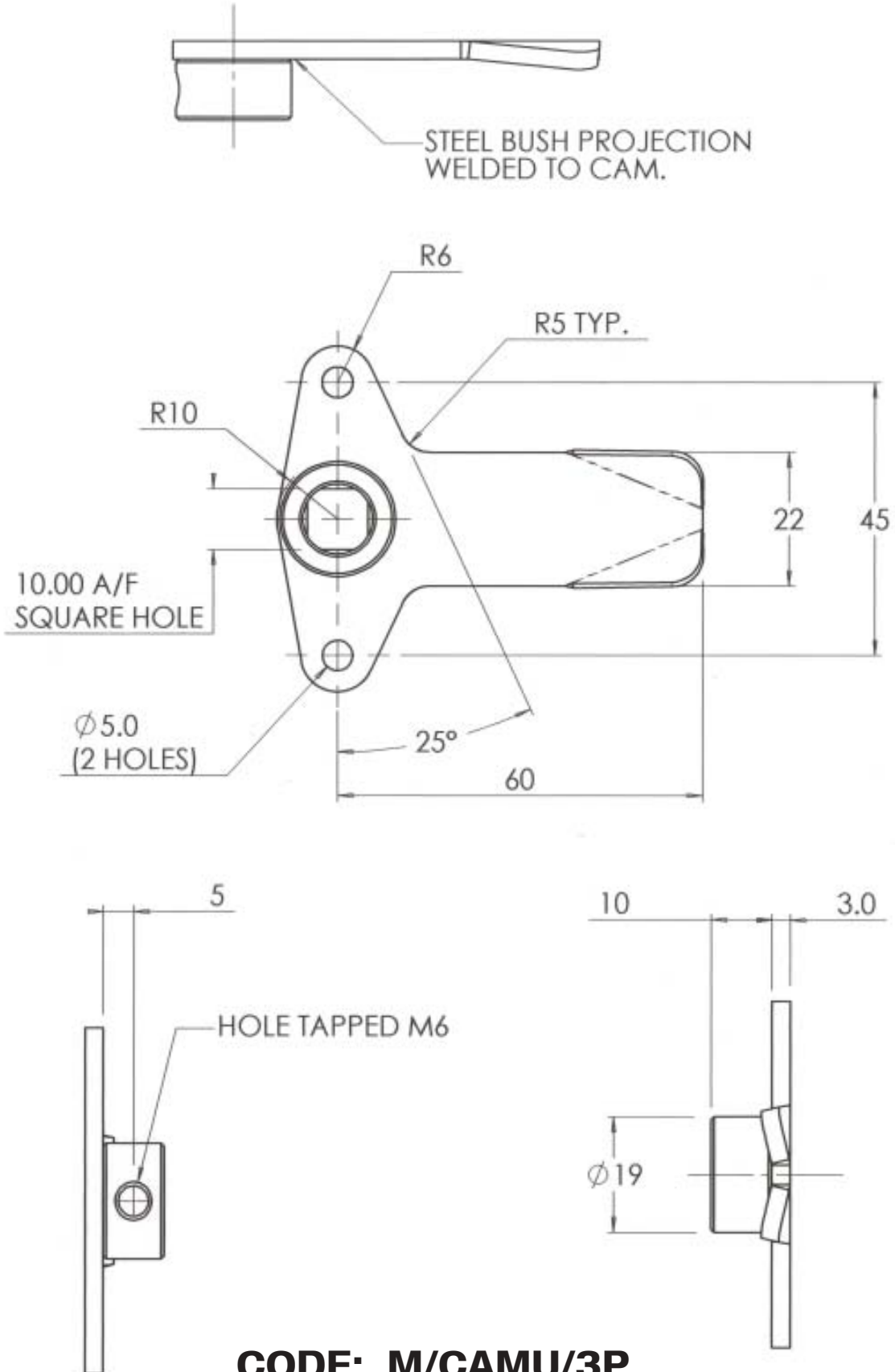
Dimensions



Ordering Details

PART CODE	NOMINAL DOOR HEIGHT	DIMENSION 'H'
A/H3PU/12	1220 (4'0")	1260
A/H3PU/15	1525 (5'0")	1560
A/H3PU/18	1830 (6'0")	1880
A/H3PU/21	2135 (7'0")	2175
A/H3PU/24	2440 (8'0")	2480

UNIVERSAL 3 POINT LOCKING HANDLE MECHANISM



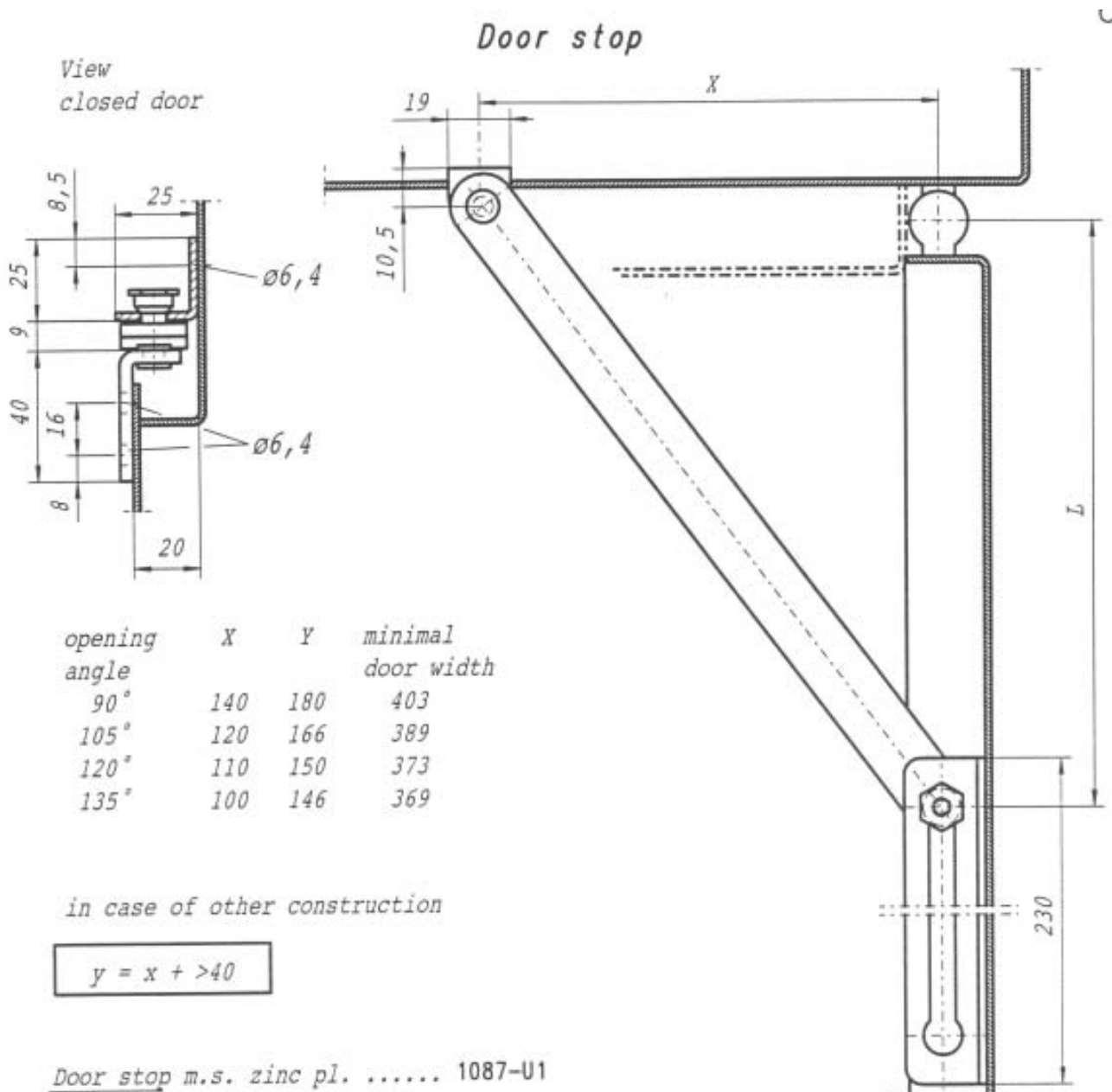
DOOR STAY MILD STEEL



Material

MILD STEEL

NOTE: HOLDS DOOR OPEN AT 90° AND 120°



Ordering Details

DOOR OPENING	CODE
UNIVERSAL MOUNTING	1087-U1