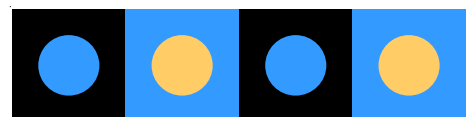
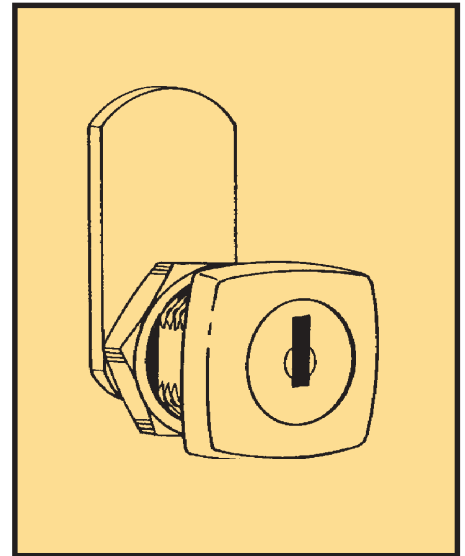
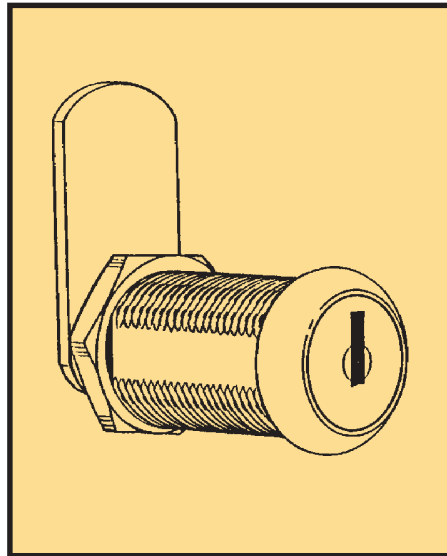
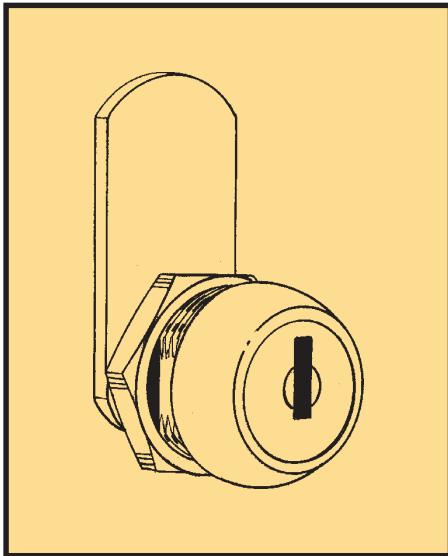
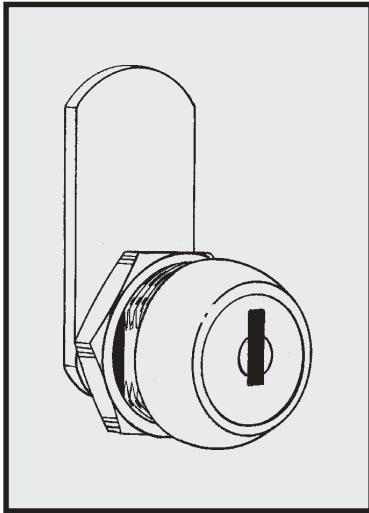


SECTION 5 - CAMLOCKS

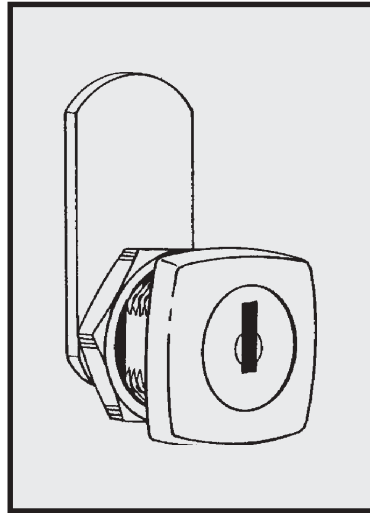


CAM LOCK

16 MM

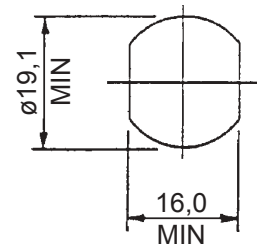


ROUND FACE
(MODEL A/CR16)

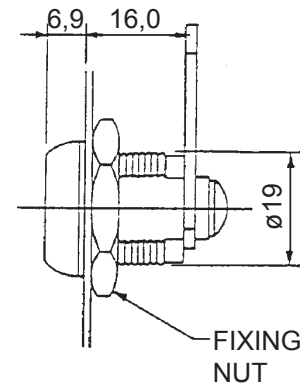
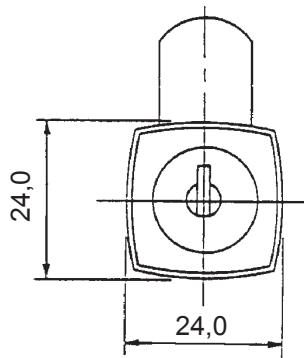
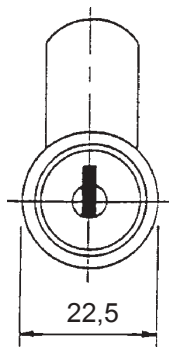


SQUARE FACE
(MODEL A/CS16)

Fixing Hole Details



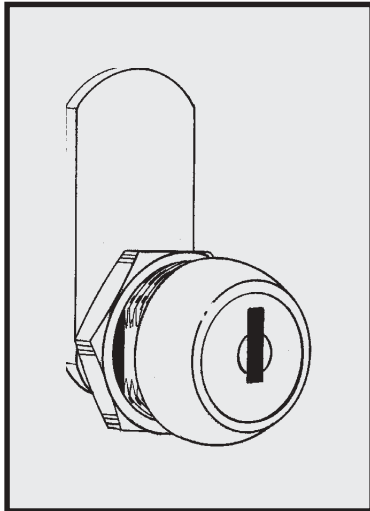
Dimensions



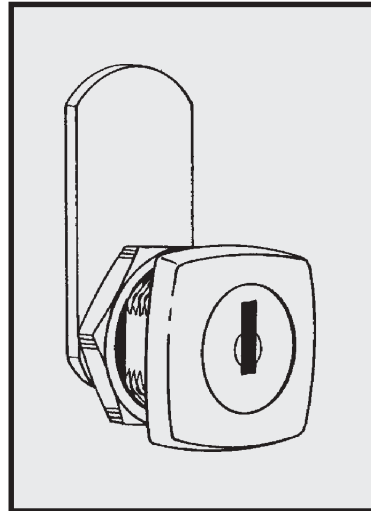
Ordering Details

	1/	2	3	4	5/	6	7/	8	9/	10	11	12	
ASSEMBLY	A												
MODEL		C	R	1	6								ROUND FACE
		C	S	1	6								SQUARE FACE
KEY SERIES						0	1						92268
						C	L						CL001
FINISH								3					BRIGHT CHROME
MOVEMENT									B				180 DEGREES CLOCKWISE OR ANTI -CLOCKWISE TO UNLOCK
CAM TYPE											0	4	OTHER CAMS AVAILABLE
EXAMPLE:	A/	C	R	1	6/	0	1/	3	B/	N	0	4	

CAM LOCK 19 MM

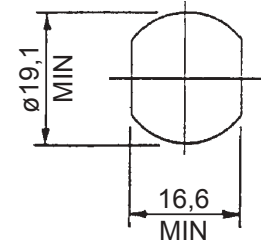


**ROUND FACE
(MODEL A/CR19)**

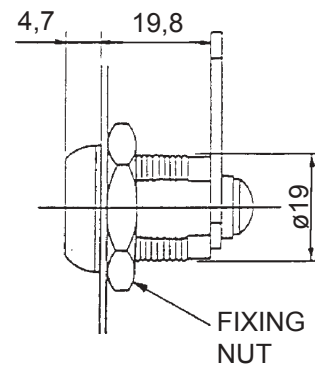
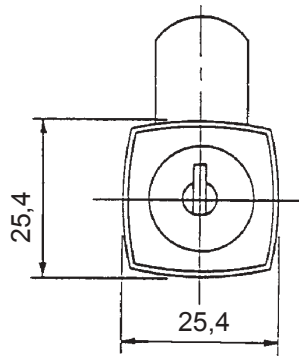
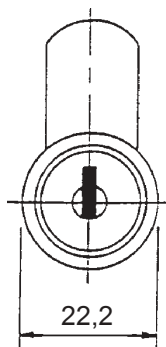


**SQUARE FACE
(MODEL A/CS19)**

Fixing Hole Details



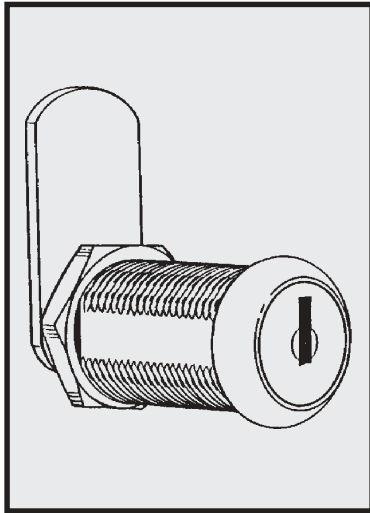
Dimensions



Ordering Details

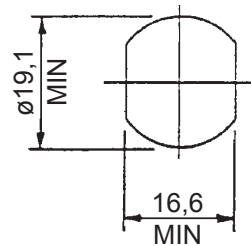
	1 /	2	3	4	5 /	6	7 /	8	9 /	10	11	12	
ASSEMBLY	A												
MODEL		C	R	1	9								ROUND FACE
		C	S	1	9								SQUARE FACE
KEY SERIES						0	1						92268
						C	L						CL001
FINISH								3					BRIGHT CHROME
MOVEMENT									B				180 DEGREES CLOCKWISE OR ANTI -CLOCKWISE TO UNLOCK
CAM TYPE											0	4	OTHER CAMS AVAILABLE
EXAMPLE:	A /	C	R	1	9 /	0	1 /	3	B /	N	0	4	

CAM LOCK 32 MM

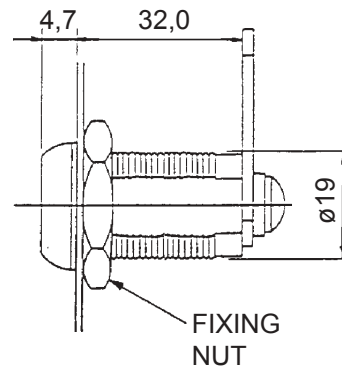
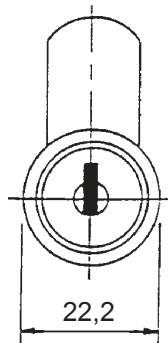


**ROUND FACE
(MODEL A/CR32)**

Fixing Hole Details



Dimensions



Ordering Details

	1 /	2	3	4	5 /	6	7 /	8	9 /	10	11	12	
ASSEMBLY	A												
MODEL		C	R	3	2								ROUND FACE
KEY SERIES						0	1						92268
						C	L						CL001
FINISH								3					BRIGHT CHROME
MOVEMENT									B				180 DEGREES CLOCKWISE OR ANTI -CLOCKWISE TO UNLOCK
CAM TYPE										0	4		OTHER CAMS AVAILABLE
EXAMPLE:	A /	C	R	3	2 /	0	1 /	3	B /	N	0	4	

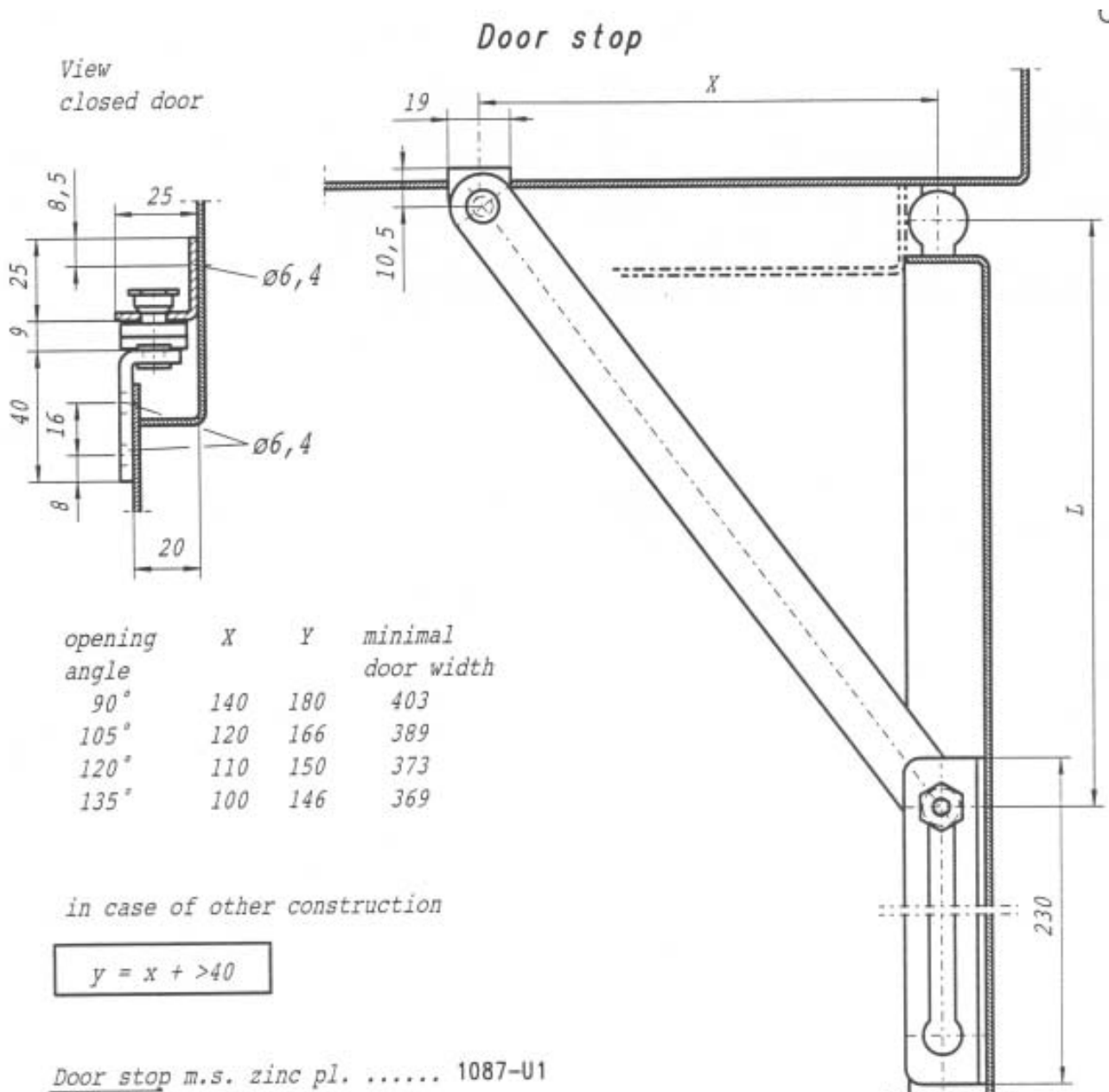
DOOR STAY MILD STEEL



Material

MILD STEEL

NOTE: HOLDS DOOR OPEN AT 90° AND 120°



Ordering Details

DOOR OPENING	CODE
UNIVERSAL MOUNTING	1087-U1