

Sheet Metal

HS741 SWING HANDLE RANGE

APPLICATION

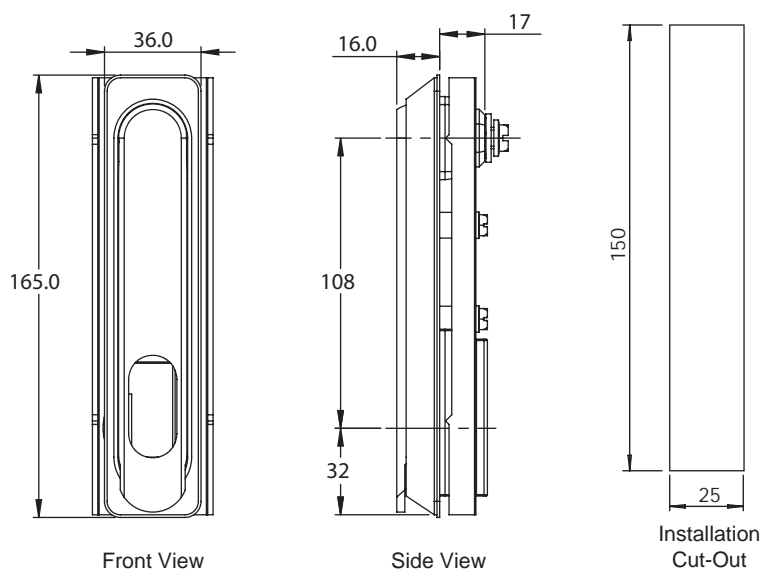
- Sheet metal furniture (suitable for sheet thickness up to 3mm)

FEATURES & SPECIFICATIONS

- Spring loaded handle indicates when unlocked
- 90° rotatable handle controls locking cam (rotation direction can be changed using adaptor located behind top handle screw)
- Changeable locking insert caters to locking requirements (see table below for options)
- 8mm square drive spindle available in standard length, extension adaptors also available
- Suits large range of cam types, including flat, bent, and 3-point cams
- IP66 rating
- 2x M6 fixing screws and steel mounting plate provided (short mounting plate available for perforated doors)

ORDERING

- Lock bodies, locking inserts, and cams ordered separately. Components can be supplied assembled upon request. See over page for details



LOCK BODIES

F741 Swing Handle Body, diecast chrome	I/AF741-01-CP
F741 Swing Handle Body, diecast black	I/F746-02S-NSB
F741 Swing Handle Body, stainless steel	I/AF741-01-SS

LOCK INSERTS

Standard Wafer Cylinder

Wafer Insert Assembly Kit, chrome	A/IF741-2/**/3
Wafer Insert Assembly Kit, black	A/IF741-2/**/6
Wafer Insert Assembly Kit, stainless steel	A/IF741-2/**/SS

State key series, and keyed to differ or keyed alike (with key number) on order

CL Wafer Cylinder

CL Insert Assembly Kit, chrome	A/IF741-2/CL/3
CL Insert Assembly Kit, black	A/IF741-2/CL/6
CL Insert Assembly Kit, stainless steel	A/IF741-2/CL/SS

State keyed to differ or keyed alike (with key number) on order

C4 Pin Cylinder

C4 Insert Assembly Kit, chrome	A/IF741-2/C4**/3
C4 Insert Assembly Kit, black	A/IF741-2/C4**/6
C4 Insert Assembly Kit, stainless steel	A/IF741-2/C4**/SS

State keyed to differ or keyed alike (with key number) on order

ETSA Cylinder

ETSA Insert Assembly Kit, chrome	A/IF741-2/ES/3
ETSA Insert Assembly Kit, black	A/IF741-2/ES/6
ETSA Insert Assembly Kit, stainless steel	A/IF741-2/ES/SS

State keyed to differ or keyed alike (with key number) on order

Padlockable

Padlock Insert Assembly Kit, chrome	I/F743-CP
Padlock Insert Assembly Kit, black	I/F743-NSB
Padlock Insert Assembly Kit, stainless steel	I/F743-SS

Suits 11mm padlock hasp

BiLock Compatible

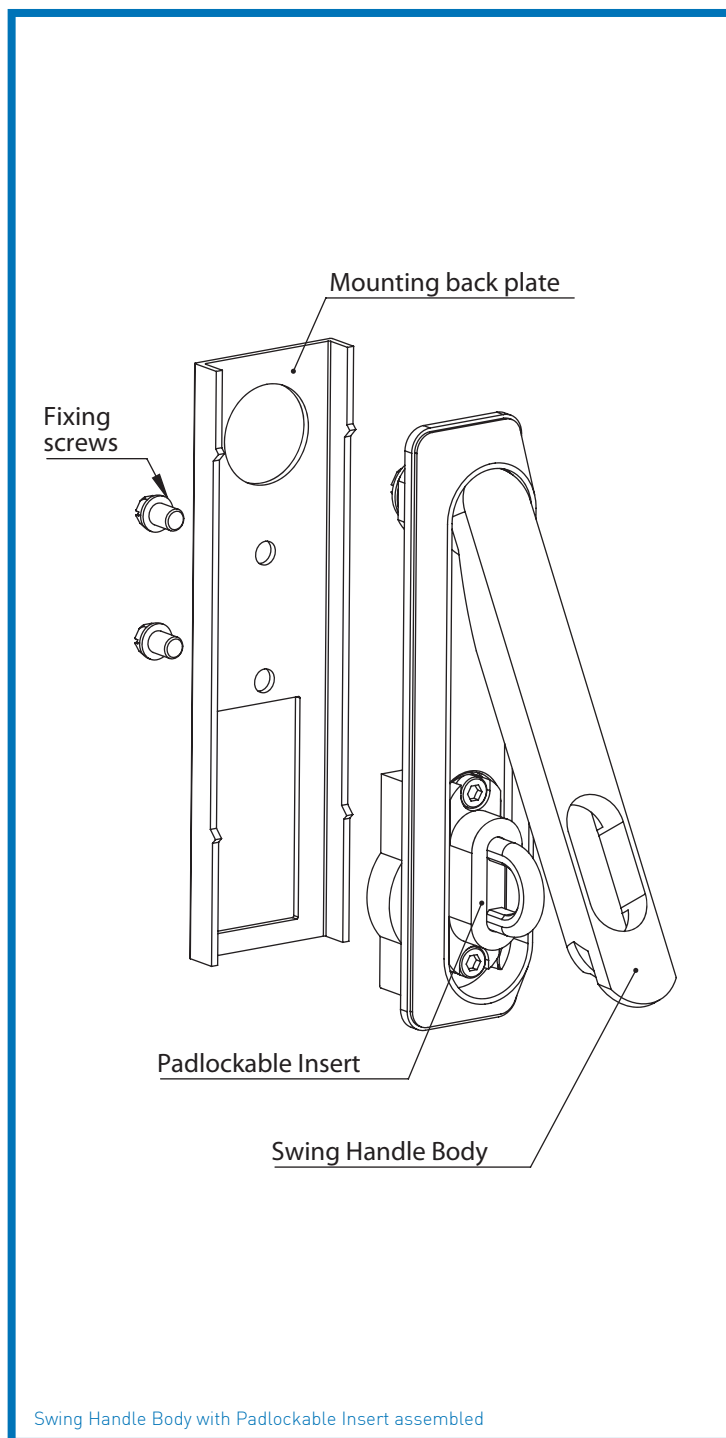
BiLock Insert Assembly Kit, chrome	A/IF742/BL/3
BiLock Insert Assembly Kit, black	A/IF742/BL/6
BiLock Insert Assembly Kit, stainless steel	A/IF742/BL/SS

Cylinder and pinning not supplied

ASSA Compatible

ASSA Insert Assembly Kit, chrome	I/F744-CP
ASSA Insert Assembly Kit, black	I/F744-NSB

Cylinder not supplied



LOCKFOCUS
CREATING SOLUTIONS SINCE 1972

FREE PHONE: 1800 687 116
Email: sales@lockfocus.com.au

15-17 Futura Road, Keysborough 3173
Melbourne Victoria Australia
T: 61 3 9798 1322 F: 61 3 9798 9652
www.lockfocus.com.au

LOCK FOCUS CREATING SOLUTIONS SINCE 1972