

HAMPER/TAMBOUR DOOR LOCK

Applications

This lock is ideal for use on overhead hampers.

Rotating the key clockwise results in 180° rotary cam movement.

The lock fits into a 19.1 mm diameter hole, from the rear of a panel. Screws then secure the lock from the back.

Suits panels up to 19 mm thick.

Refer to **Applications Section H, page H2.**



A/CB2V WITH P6 CAM

Specifications

- Zinc alloy diecast housing
- Glass-reinforced nylon cam
- Glass-reinforced strike
- Stainless steel capped barrel
- Key removable in locked and unlocked positions
- Optional bezel - refer to page **B101**

Code Information

KEY SERIES

- 01 200 combinations - non-master keying
- 02 200 combinations - master keying
- 07 500 combinations - non-master keying
- 08 500 combinations - master keying
- 17 2000 combinations - non-master keying
- 18 2000 combinations - master keying

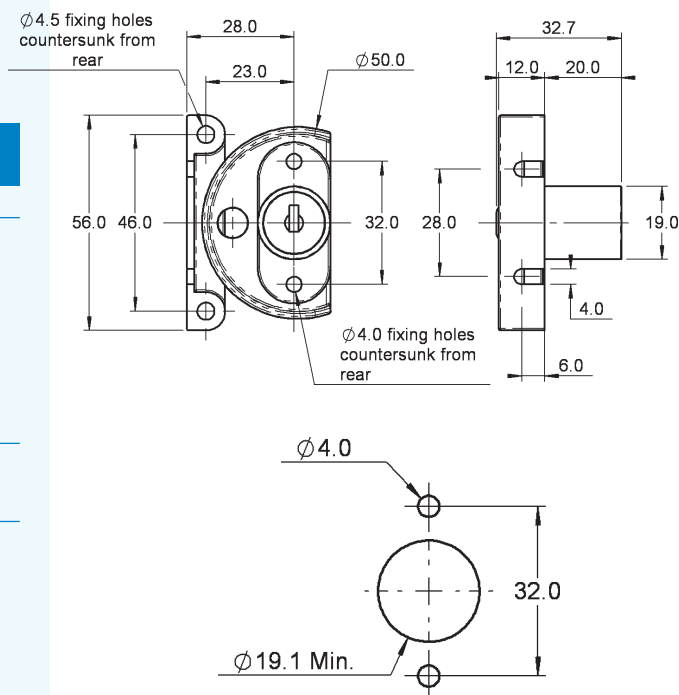
FINISH

- 3 Bright chrome

MOVEMENT

- B 180° clockwise or anti-clockwise to unlock

Dimensions/Fixing shown NTS



Fixing Details

Note: fixing hole $\phi 20.0$ if bezel is used

Ordering Details

Measurements shown in mm

STEP 1 **STEP 2** **STEP 3** **STEP 4**
A / CB2V / KEY SERIES / FINISH + MOVEMENT / - P 6 (Vertical mount)
A / CB20 / KEY SERIES / FINISH + MOVEMENT / - P 6 (Horizontal mount)
Ordering example: A / C B 2 V / 0 2 / 3 B / - P 6

- **ADVISE** Cam position when locked
- **ADVISE** Keying requirements, e.g. keyed alike

HAMPER/TAMBOUR DOOR LOCK

Applications

This lock is ideal for use on overhead hampers and tambour cabinets.

Rotating the key clockwise results in 180° rotary cam movement.

The lock fits into a 19.1 mm diameter hole from the rear of a panel. Screws secure the lock without removing the cam by fixing through the centre hole of the cam.

Suits panels up to 19 mm thick.

Carcass is supplied on its own.

Special pricing applies for barrels fitted.



Tambour Lock A/CB3V

Specifications

- Zinc alloy diecast housing
- Glass-reinforced nylon cam
- Glass-reinforced nylon strike
- Stainless steel capped barrel
- Key removable in locked and unlocked positions
- Optional bezel - refer to page C100

Code Information

KEY SERIES

- R2 200 combinations - master keying
- RE 500 combinations - master keying
- RX 500 combinations - master keying
- XT 2000 combinations - master keying

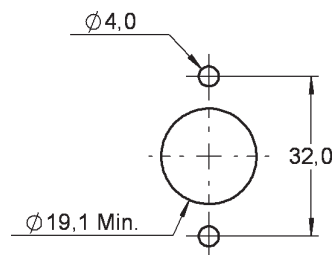
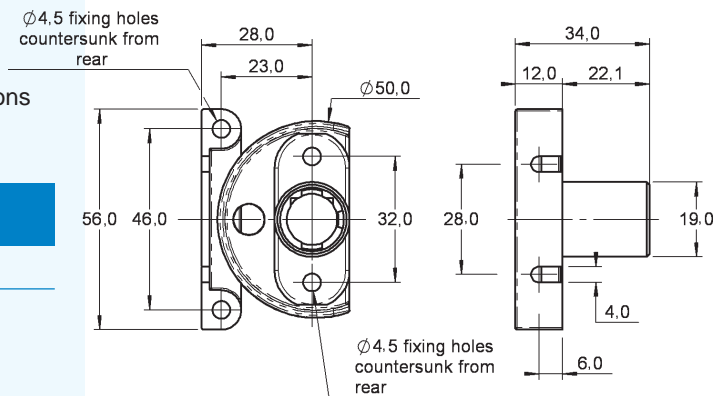
FINISH

- 3 Bright chrome

MOVEMENT

- B 180° clockwise or anti-clockwise to unlock

Dimensions/Fixing shown NTS



Fixing Details

Note: fixing hole
 \varnothing 20.0 if bezel is used

Ordering Details

Measurements shown in mm

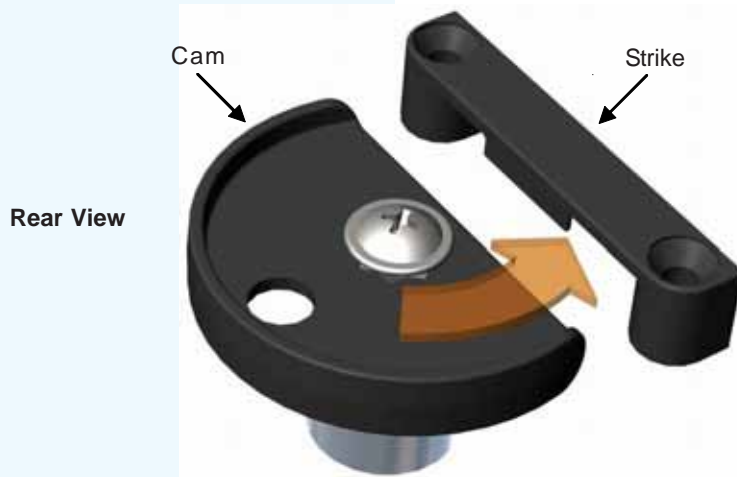
STEP 1 STEP 2 STEP 3 STEP 4

A / C B 3 V / KEY SERIES / FINISH + MOVEMENT / - P 6

Ordering example: A / C B 3 V / R X / 3 B / - P 6

- ADVISE Cam position when locked
- ADVISE Keying requirements, e.g. keyed alike

HAMPER LOCK



For horizontally sliding doors
A/CB2V---
A/CB3V---



For vertically opening doors
A/CB20---
A/CB3H---



As mounted in a
hamper style
door



Refer to pages B5 and C7 for further
product details