

POP UP T HANDLE

Applications

This lock has many applications where a flush mounted lock is required. It has a maximum 25 mm handle projection, and slam locks without any keys.

The lock also retrofits to existing L & F T handle fixing.

Specifications

- PA66 - black finish
- Zinc alloy internal components with stainless steel spring
- Standard 8 mm spindle



I/POP-

Code Information

KEY SERIES

- 01 200 combinations - non-master keying
- 02 200 combinations - master keying
- 07 500 combinations - non-master-keying
- 08 500 combinations - master keying
- 17 2000 combinations - non-master keying
- 18 2000 combinations - master keying

MOVEMENT

A 90° anti-clockwise to unlock

SPINDLE

Refer to page D11

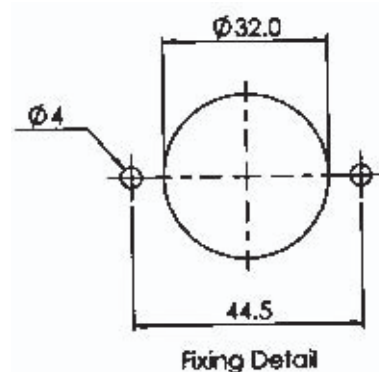
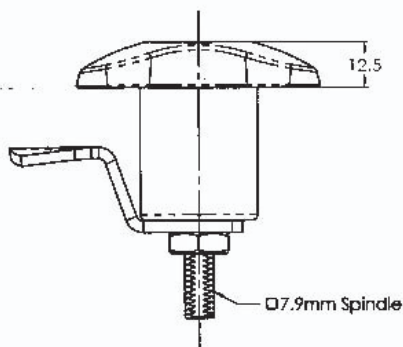
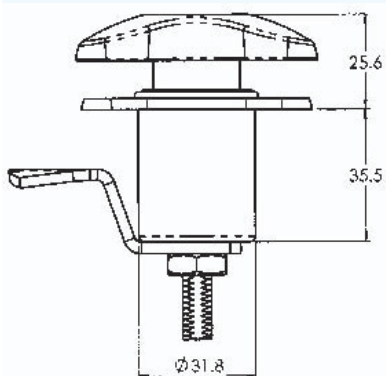
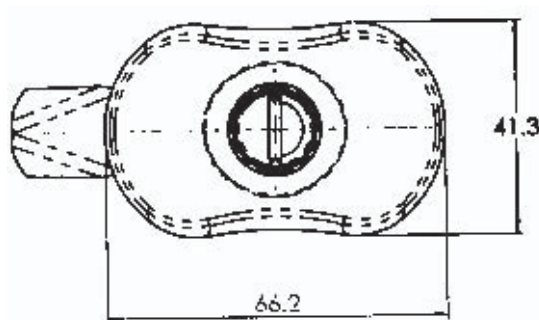
CAM TYPE

Refer to page D10

Dimensions/Fixing shown NTS

Also Barrel Exchange

- R2 200 combinations - master keying
- RE 500 combinations - master keying
- RX 500 combinations - master keying
- XT 2000 combinations - master keying



Ordering Details

Measurements shown in mm

STEP 1 STEP 2 STEP 3 STEP 4
I / P O P - / KEY SERIES / MOVEMENT / CAM TYPE

Ordering example: I / P O P - / R 2 / 6 A

- **ADVISE** Keying requirements, e.g. keyed alike