

# FLUSH HANDLE - VERTICAL

## 3-POINT LOCKING

### Applications

This lock is ideal for use on doors.

It features 3-point locking. The first point is at the cam, the second and third are at the end of the locking bars. The locking bars are fitted to two pins on the cam and held on by a rod retention swivel clip. (Locking bars not supplied).

The key can be removed whether the grip's 50° rotation is locked or unlocked.

### Specifications

- Zinc alloy diecast pan - black finish
- Zinc alloy diecast grip - chrome-plated
- 18 mm rod throw when fitted to cam
- 50° rotation of cam and grip
- One pair of nickel-plated keys per lock

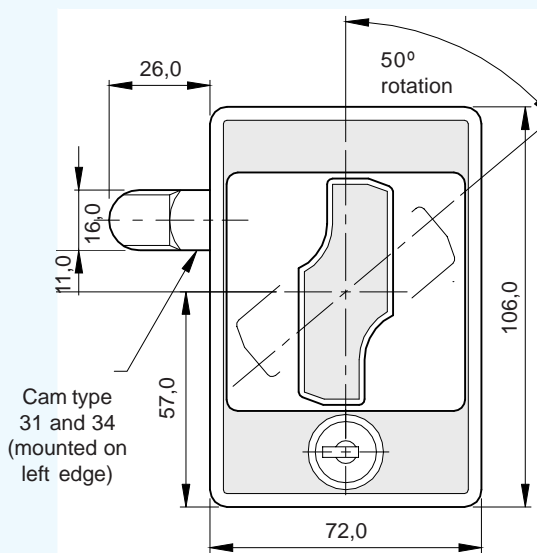
### Code Information

#### KEY SERIES

- 01 200 combinations - non-master keying
- 02 200 combinations - master keying
- 11 2000 combinations - non-master keying
- 12 2000 combinations - master keying

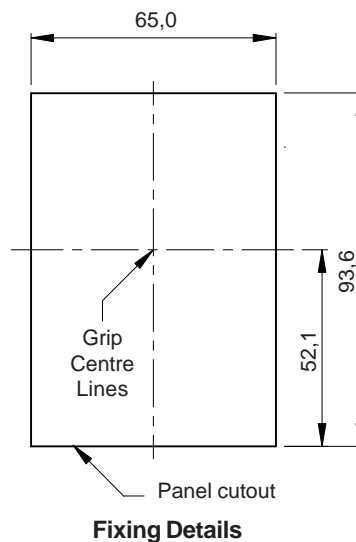
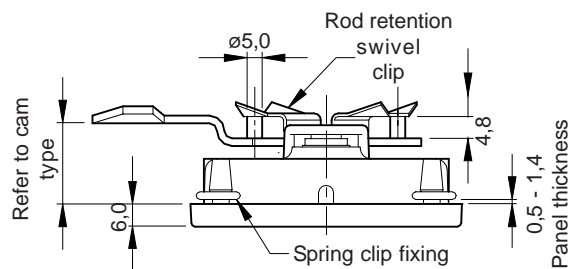
#### CAM TYPE

- 31 22 mm - mounting on left edge of door
- 33 22 mm - mounting on right edge of door
- 34 16 mm - mounting on left edge of door



A/HF8V

#### Dimensions/Fixing shown NTS



Fixing Details

#### Measurements shown in mm

### Ordering Details

STEP 1    STEP 2    STEP 3    STEP 4  
**A / HF8V / KEY SERIES / 6 + - / 3 + CAM TYPE**  
**Ordering example: A / H F 8 V / 0 1 / 6 - / 3 3 1**

# FLUSH HANDLE - HORIZONTAL

## 3-POINT LOCKING

### Applications

This lock is ideal for use on doors.

It features 3-point locking. The first point is at the cam, the second and third are at the end of the locking bars. The locking bars are fitted to two pins on the cam and held on by a rod retention swivel clip. (Locking bars not supplied).

The key can be removed whether the grip's 50° rotation is locked or unlocked.



A/HF8H

### Specifications

- Zinc alloy diecast pan - black finish
- Zinc alloy diecast grip - chrome-plated
- 18 mm rod throw when fitted to cam
- 50° rotation of cam and grip
- One pair of nickel-plated keys per lock

### Code Information

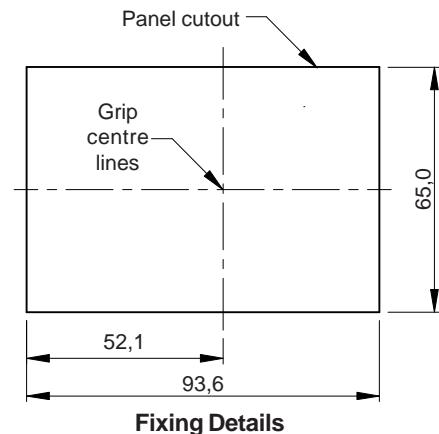
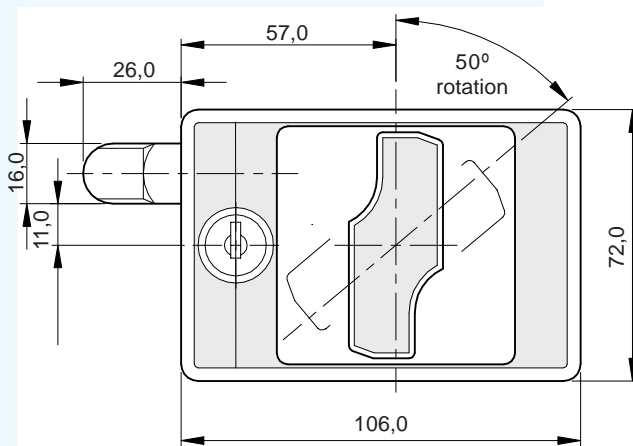
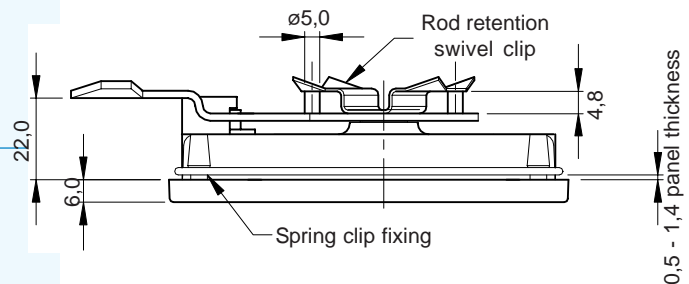
#### KEY SERIES

- 01 200 combinations - non-master keying
- 02 200 combinations - master keying
- 11 2000 combinations - non-master keying
- 12 2000 combinations - master keying

#### CAM TYPE

- 30 22 mm dimension from panel to cam - mounting on left edge of door

Dimensions/Fixing shown NTS



### Ordering Details

Measurements shown in mm

STEP 1    STEP 2    STEP 3    STEP 4

A / HF8H / KEY SERIES / 6 + - / 3 + CAM TYPE

Ordering example: A / H F 8 H / 0 1 / 6 - / 3 3 0

# FLUSH LOCKING HANDLE

## 3-POINT LOCKING

### Applications

This lock is ideal for hinged doors requiring 3-point locking.

The lock assembly is snap-in with rod retention designed to resist tampering. It retrofits into existing die cast cutout detail. Application tool available for rod retaining plate. Part No. M/HF1T.

### Specifications

Black pan and grip with warm-to-touch surface. Internal zinc alloy locking cell 90° cam rotation.

### Code Information

#### KEY SERIES

- 01 200 combinations - non-master keying
- 02 200 combinations - master keying
- 07 500 combinations - non-master keying
- 08 500 combinations - master keying
- 11 2000 combinations - non-master keying
- 12 2000 combinations - master keying
- 17 2000 combinations - non-master keying
- 18 2000 combinations - master-keying
- CL Keyed Alike specific combinations

#### MOVEMENT

- L Cam on left edge (as drawn)
- R Cam mounted on right edge

#### FIXING

For material thickness above 1.8 mm, ask for options

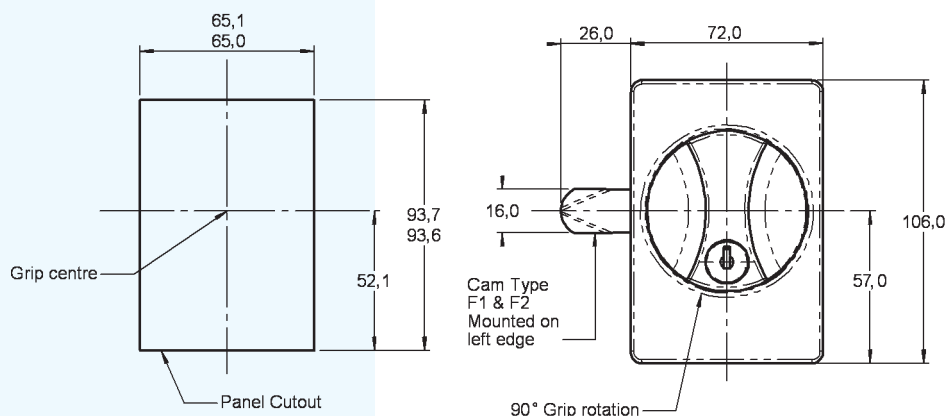
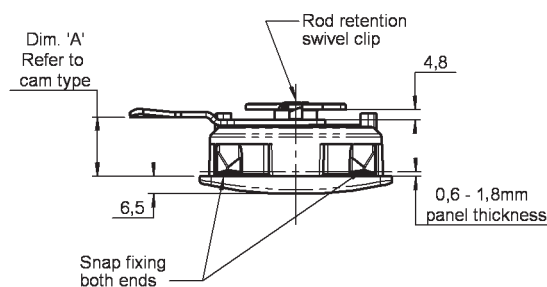
#### CAM TYPE

- F1 22 mm cam set back
- F2 16 mm cam set back



A/HF1A

Dimensions/Fixing shown NTS



### Ordering Details

Measurements shown in mm

STEP 1    STEP 2    STEP 3    STEP 4  
A / H F 1 A / KEY SERIES / MOVEMENT / CAM TYPE  
Ordering example: A / H F 1 A / 0 1 / 6 L / - F 1

Barrel Exchange option: See Barrel Exchange System Section C, page C9

# FLUSH LOCKING HANDLE

## VERTICAL - 3-POINT LOCKING - LEVER ACTION

### Applications

This lock is ideal for use on doors.

It features 3-point locking. The first point is at the bolt, the second and third are at the end of the locking bars (not supplied). The device is operated by a spring-loaded trigger which retracts the two locking bars. When fitted with the spring clip at the end of one locking bar, the door can be slammed shut.

This handle is normally used as a pair with the non-locking version of this handle (refer to page **A21**).

### Specifications

- Zinc alloy diecast housing fascia panel - grey finish
- High Impact polystyrene pan - black finish
- 9 mm horizontal bolt throw (1 point)
- 9 mm vertical bolt throw (2 points)
- 180° anti-clockwise key rotation to unlock
- Key removable in locked and unlocked positions
- One pair of nickel-plated keys per lock
- Two fixing screws supplied - M3 x 10 plastite. This is only supplied with plastic fascias.



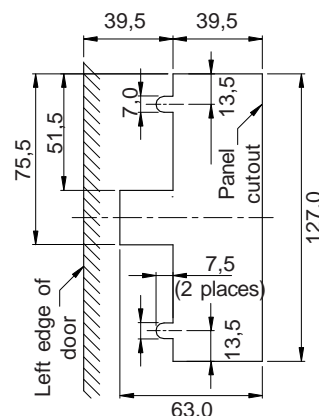
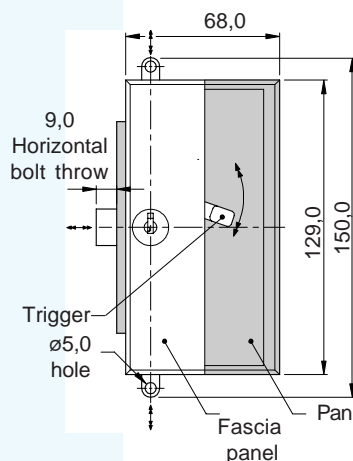
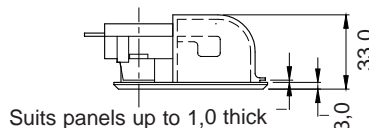
A/HD-L

### Code Information

#### KEY SERIES

- 01 200 combinations - non-master keying
- 02 200 combinations - master keying
- 08 500 combinations - master keying
- 18 2000 combinations - master keying

#### Dimensions/Fixing shown NTS



Fixing Details

### Ordering Details

#### Measurements shown in mm

**STEP 1                      STEP 2    STEP 3    STEP 4**

**A / HS-L / KEY SERIES / 6 + B / SPRING CLIP + GS** (Left edge mount)  
**Ordering example: A / H S - L / 0 2 / 6 - / A - -** (Plastic fascia with spring clip)

# FLUSH NON-LOCKING HANDLE

**MATCHING PAIR WITH HANDLE ON PAGE A20**

## Applications

This handle is ideal for use on doors. It is designed as a match to the flush locking handle on page A20.

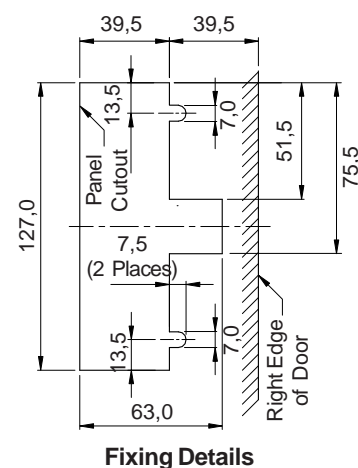
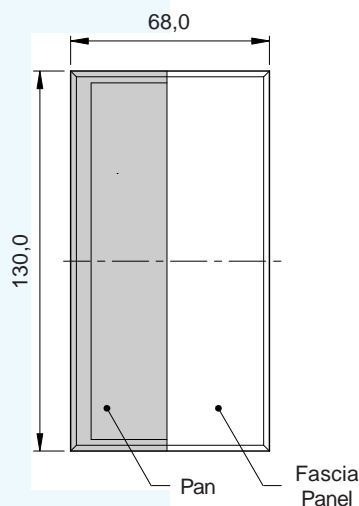
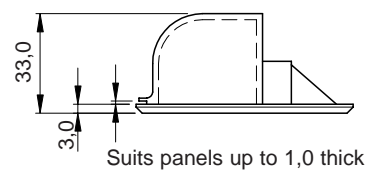
## Specifications

- Zinc alloy diecast housing fascia panel - grey finish
- High impact polystyrene pan - black finish
- Two fixing screws supplied
- Left or right edge mounting



A/HD-D

Dimensions/Fixing shown NTS



## Ordering Details

Measurements shown in mm

STEP 1 STEP 2 STEP 3 STEP 4

A / HS-D / - - / 6 - / - G -

Ordering example: A / H S - D / - - / 6 - / - G -

# DISC TUMBLER DIECAST FLUSH HANDLE

## 3-POINT LOCKING

### Applications

This lock is ideal for hinged doors requiring 3-point locking. It is the diecast version of HF1A.

The lock assembly is snap-in with rod retention designed to resist tampering.

Application tool available for rod retaining plate. Part No. M/HF1T.

### Specifications

- Zinc alloy diecast pan - black finish
- Black plastic grip with warm-to-touch surface. Internal zinc alloy locking cell 90° cam rotation
- One pair of nickel-plated keys per lock

### Code Information

#### KEY SERIES

- 01** 200 combinations - non-master keying
- 02** 200 combinations - master keying
- 07** 500 combinations - non-master keying
- 08** 500 combinations - master keying
- 17** 2000 combinations - non-master keying
- 18** 2000 combinations - master-keying

#### MOVEMENT

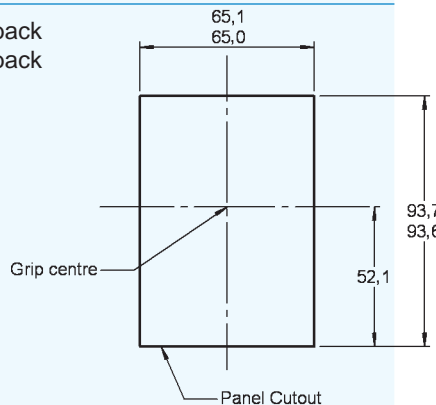
- L** Cam on left edge (as drawn)
- R** Cam mounted on right edge

#### FIXING

Suitable for material thicknesses less than 1.4mm  
For material thickness above 1.4 mm, ask for options

#### CAM TYPE

- F1** 22 mm cam set back
- F2** 16 mm cam set back

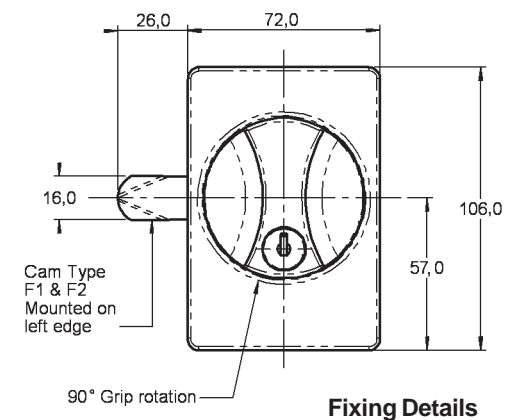
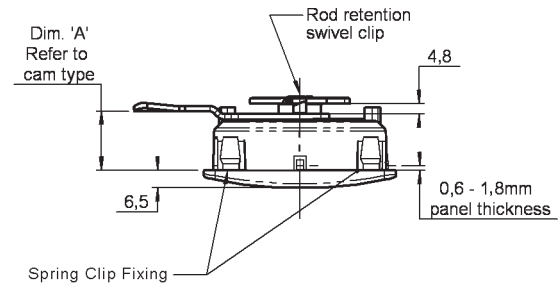


A/HF2A

#### Dimensions/Fixing shown NTS

#### Also Barrel Exchange

- R2** 200 combinations - master keying
- RE** 500 combinations - master keying
- RX** 500 combinations - master keying
- XT** 2000 combinations - master keying



Fixing Details

#### Measurements shown in mm

### Ordering Details

**STEP 1**      **STEP 2**      **STEP 3**      **STEP 4**  
**A / H F 2 A / KEY SERIES / MOVEMENT / CAM TYPE**  
**Ordering example: A / H F 2 A / 0 1 / 6 L / - F 1**

**Barrel Exchange option:** See Barrel Exchange System Section C, page C9

# FLUSH FITTING LATCH LOCK

## Applications

This lock is ideal for hinged doors requiring 3-point or single-point locking. It enables the end user to attach a padlock to stop the grip from being rotated.

The padlockable assembly is spring clip fix with rod retention designed to resist tampering. It retrofits into existing die cast cutout detail.

Application tool available for rod retaining plate. Part No. M/HF1T.

## Specifications

- Zinc alloy diecast pan - black finish
- Zinc alloy diecast grip - satin finish
- 18 mm rod throw (rod not supplied)
- Spring clip fixing
- Suits padlock up to 7 mm shackle
- Padlock available on request

## Code Information

KEY SERIES

N/A

MOVEMENT

- L Cam on left edge - as shown
- R Cam mounted on right edge

FIXING

Suitable for material thicknesses less than 1.4mm  
For material thickness above 1.4 mm, ask for options

CAM TYPES

- F1 Optional - 28 mm cam set back
- F2 Standard - 22 mm cam set back
- F3 Optional - 35 mm cam set back

## Ordering Details

STEP 1 / STEP 2 / STEP 3 / STEP 4 / STEP 5

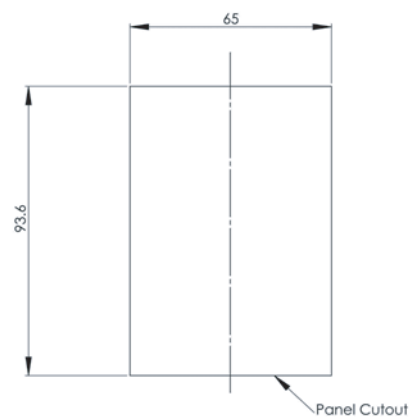
I / H D L L / FINISH / MOVEMENT / CAM TYPE

Ordering example: I / H D L L / 6 L

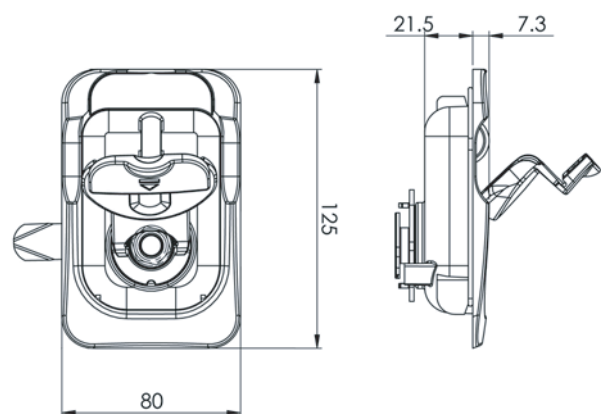


I/HDLL

Dimensions/Fixing shown NTS



Fixing Details



Latch Lock Assembly

Measurements shown in mm

# C4 FLUSH HANDLE

## Applications

This lock is ideal for hinged doors requiring 3-point locking. The lock retrofits into existing cut out detail, and offers the option for a master key C4 or restricted key system.

The lock assembly is snap-in with rod retention designed to resist tampering.

Application tool available for rod retaining plate. Part No. M/HF1T

## Specifications

- Zinc alloy diecast pan - black finish
- Black plastic grip with 90° cam rotation
- 5-pin brass cylinder with 2 keys

## Code Information

### KEY SERIES

5-pin cylinder  
Keyed to differ or keyed alike

### MOVEMENT

- L Cam on left edge (as drawn)
- R Cam mounted on right edge

### FIXING

Suitable for material thicknesses less than 1.4mm  
For material thickness above 1.4 mm, ask for options

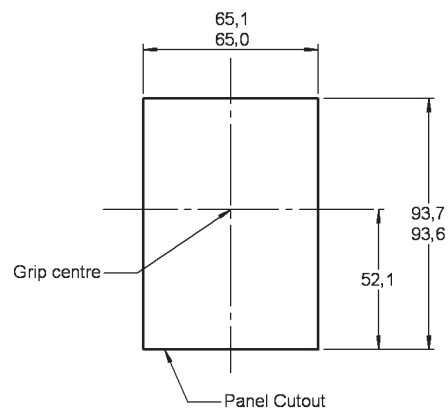
### CAM TYPE

- F1 22 mm cam set back
- F2 16 mm cam set back



A/HFC4

Dimensions/Fixing shown NTS



## Ordering Details

Measurements shown in mm

STEP 1      STEP 2      STEP 3      STEP 4  
A / H F C 4 / KEY SERIES / MOVEMENT / CAM TYPE

Ordering example: A / H F C 4 / K D / 6 L / - F 1

- ADVISE      Keying requirements, e.g. keyed alike