

ROLLER SHUTTER LOCK

KEY OPERATION FROM FRONT - LATCH OPERATION FROM REAR

Applications

This lock is ideal for use on roller shutters.

It is supplied with a pair of dome nuts (optional), which are fitted from the front of the panel, enabling screws to secure the lock from the rear.



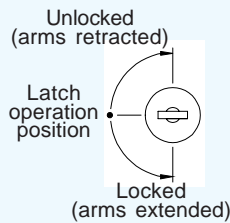
AV2--

Specifications

- Zinc alloy diecast fascia - chrome-plated nozzle and clear zinc housing
- Key series 19 - 100 combinations
- Non-master keying
- 19 mm arm throw
- Optional dome nuts and screws
- Operation of this lock is described below



Latch Operation from Rear

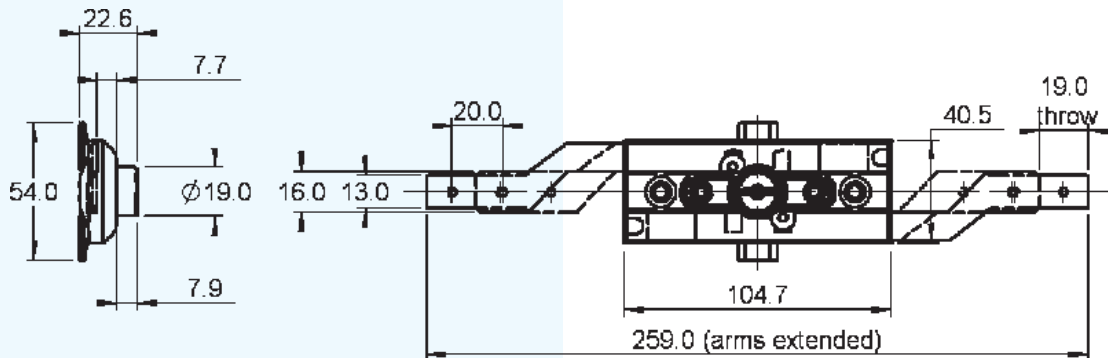


Dome Nuts and Screws

This lock can be operated from the front using a key, or from the rear using the latch. The latch can be operated at all times, independently of any key operation.

Dimensions/Fixing shown NTS

Key removable in horizontal position only.



Fixing Details

Ordering Details

Measurements shown in mm

STEP 1 STEP 2 STEP 3 STEP 4

A / V 2 - - / 1 9 / 3 H / L - 6

Ordering example: A / V 2 - - / 1 9 / 3 H / L - 6