

# V9 ROLLER DOOR LOCK

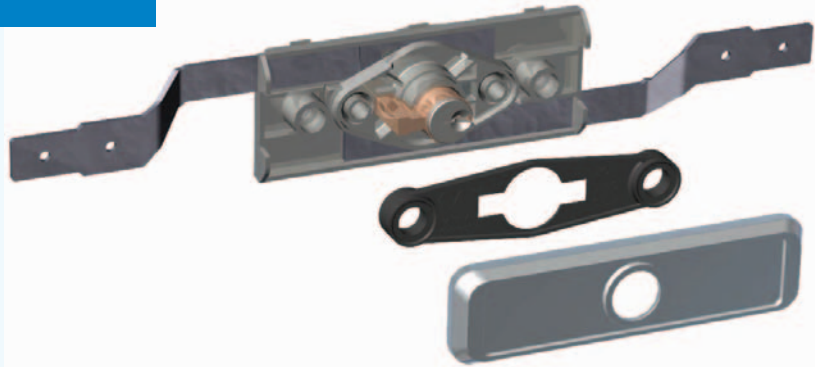
## LOW PROFILE VERSION

### Applications

This lock is ideal for use on roll-up grilles/doors where the minimum external fascia projection is required.

It is mainly used for shutters that require either a restricted or master key system.

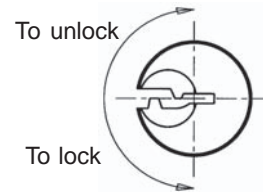
The fascia has a 7.8 mm projection and is secured from the rear of the panel by two screws.



AV9LP

### Specifications

- Zinc alloy diecast fascia - satin chrome finish
- Zinc alloy diecast lock - clear zinc-plated
- 19 mm arm throw
- 5-pin brass cylinder (supplied separately)
- Low profile fascia
- Suitable for mounting on 1.4 mm thick extrusions

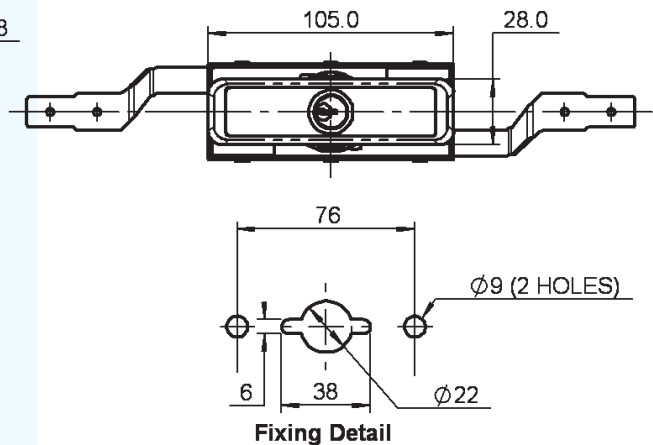
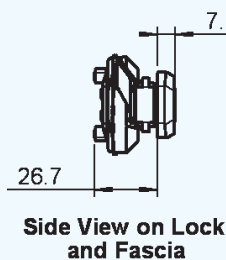
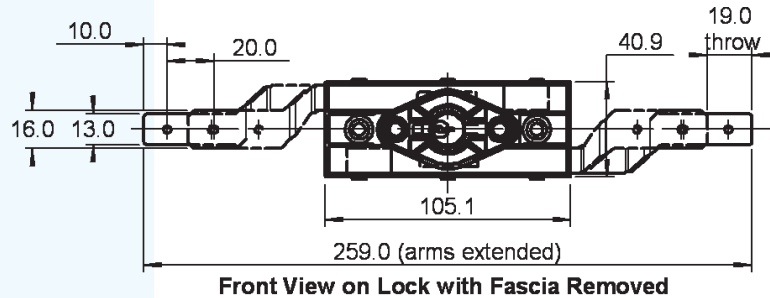


### Code Information

#### KEYING DETAIL

- KA Keyed alike
- KD Keyed to differ
- NB No barrel (pre-loaded cylinder)
- ## No cylinder

Dimensions/Fixing shown NTS



### Ordering Details

Measurements shown in mm

STEP 1      STEP 2      STEP 3      STEP 4  
A / V 9 L P / KEYING DETAIL / 4 - / - L L  
Ordering example: A / V 9 L P / K D / 4 - / - L L