

V9 ROLLER DOOR LOCK

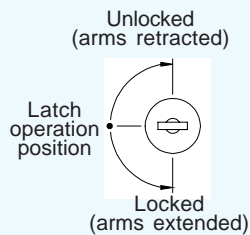
KEY OPERATION FROM FRONT - LATCH OPERATION FROM REAR

Applications

This lock is ideal for use on roll-up doors.

Specifications

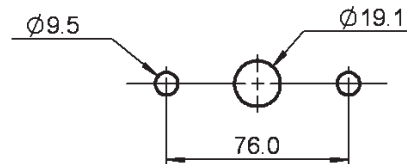
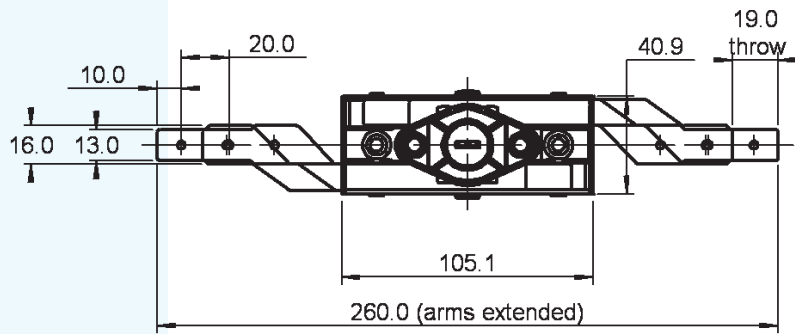
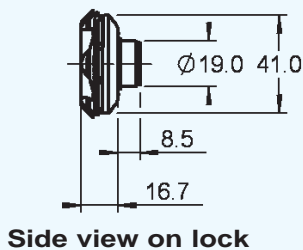
- Zinc alloy diecast lock - clear zinc-plated
- Key series 23 - 400 combinations
Double-entry - non-master keying
- 19 mm arm throw
- Plastic latch allowing internal lock operation
- Operation of this lock is described below



This lock can be operated from the front using a key or from the rear using the latch.

The latch can be operated at all times, independently of any key operation.

Key removable in horizontal position only.



Front view of lock



Latch operation from rear

Dimensions/Fixing shown NTS

Ordering Details

STEP 1 STEP 2 STEP 3 STEP 4

A / V 9 - - / 2 3 / 6 H / L - A

Ordering example: A / V 9 - - / 2 3 / 6 H / L - A

Measurements shown in mm