

V5 ROLLER DOOR LOCK

KEY OPERATION FROM FRONT - LATCH OPERATION FROM REAR

Applications

This lock is ideal for use on roll-up doors.

The fascia features one pocket which provides grip to lift or lower the door.



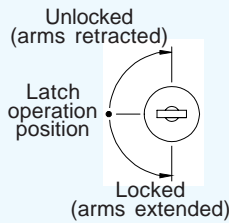
A/V P--

Specifications

- Zinc alloy diecast fascia - black finish
- Zinc alloy diecast lock - clear zinc-plated
- 19 mm arm throw
- Operation of this lock is described below



Fascia



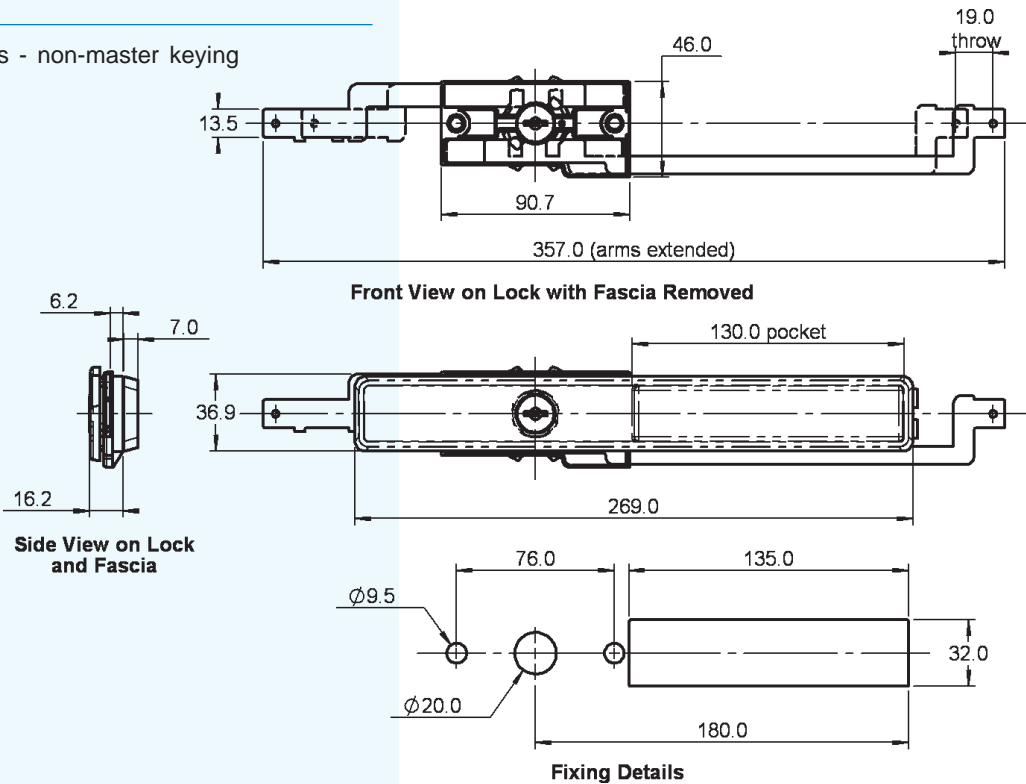
This lock can be operated from the front, using a key, or from the rear using the latch. The latch can be operated at all times, independently of any key operation. Key removable in horizontal position only.

Code Information

Dimensions/Fixing shown NTS

KEY SERIES

19 100 combinations - non-master keying



Ordering Details

Measurements shown in mm

STEP 1 STEP 2 STEP 3 STEP 4
A / V P - - / KEY SERIES / 6 H / L - 8
 Ordering example: **A / V P - - / 1 9 / 6 H / L - 8**