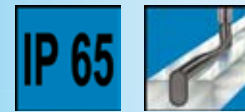


# Swinghandle\* with combination lock for universal escutcheon

## PROGRAM 1150

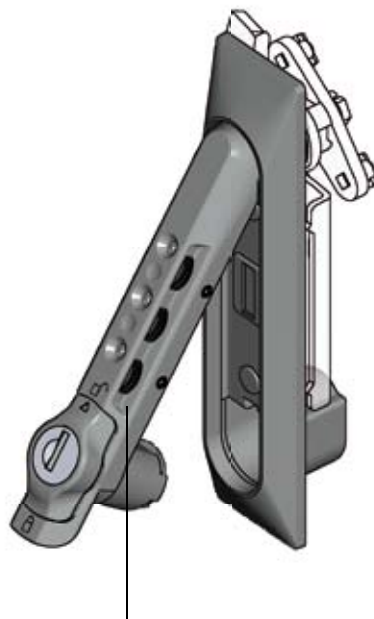
### Beschlagteile



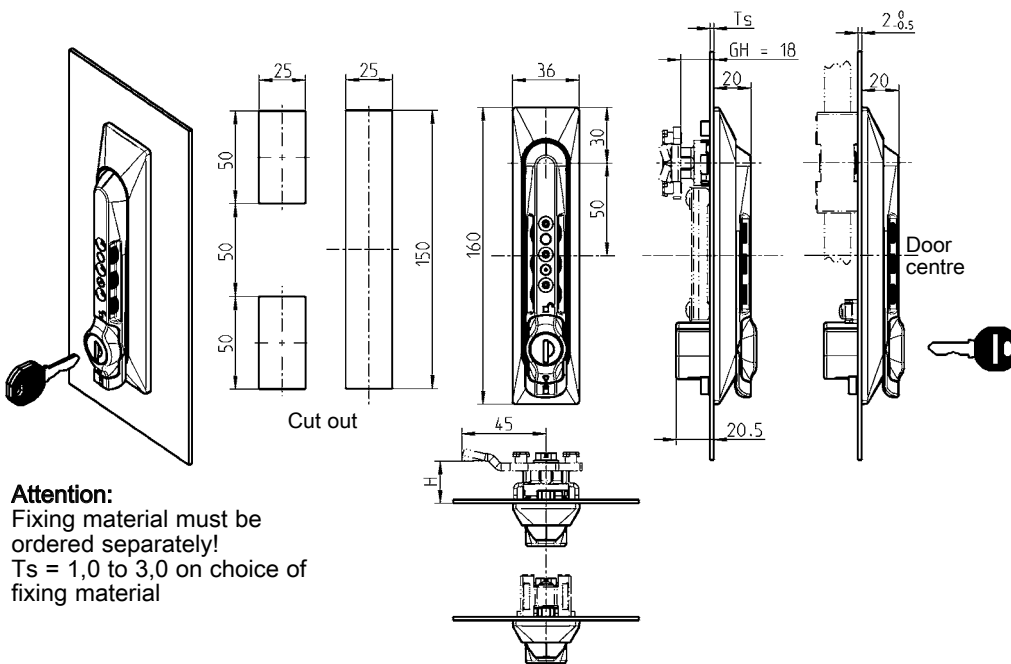
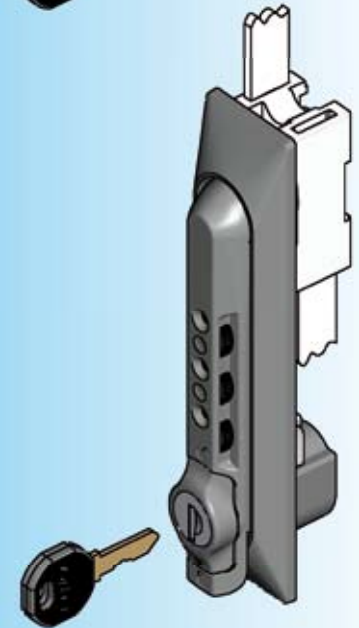
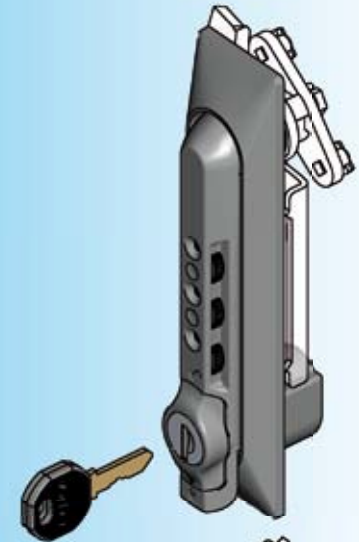
Swinghandle with two locking options. For single point or multiple point locking system



**Option 1:**  
Release using round cylinder, operation as with usual swinghandles of program 1150. The combination lock remains untouched.



**Option 2:**  
Release using combination lock and wing knob. The round cylinder remains locked. The arrow on the wing knob indicates the opened or closed position.



**Attention:**  
Fixing material must be ordered separately!  
Ts = 1,0 to 3,0 on choice of fixing material

\* can be assembled in cut out of 1125/1225

**Further parts see page**

- Fixing material 3C-780
- Cam (GH = 18) 3YC-120
- Rod control 3YA-120
- 3YA-140
- Spare key 12B-140

**On request:**

- Key retained in the unlocked position
- Other inserts

Swinghandle polyamide GF black, shaft zinc die zinc plated, with seal, round cylinder with stainless steel cap and shutter. Each round cylinder has one silver steel key with polyamide grip GF black.

keyed EK 333

1155-U1-11

keyed different

1155-U2-11