

L & T HANDLES - PIN CYLINDER

Applications

This lock is for use on doors.

It is ideal for raising the security level, anywhere an L or T handle is currently being used.

It is easily re-keyed to most of the current restricted systems.

Specifications

- 5-pin brass cylinder
- 74 mm spindle removable and interchangeable with others from our range
- Zinc alloy diecast handle and rose
- Chrome-plated finish
- Fixing from rear only, using M5 screws (not supplied)
- 90° or 180° rotation
- One Pair of keys per lock



Dimensions/Fixing shown NTS

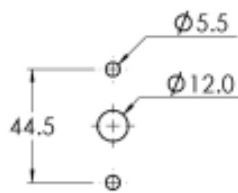
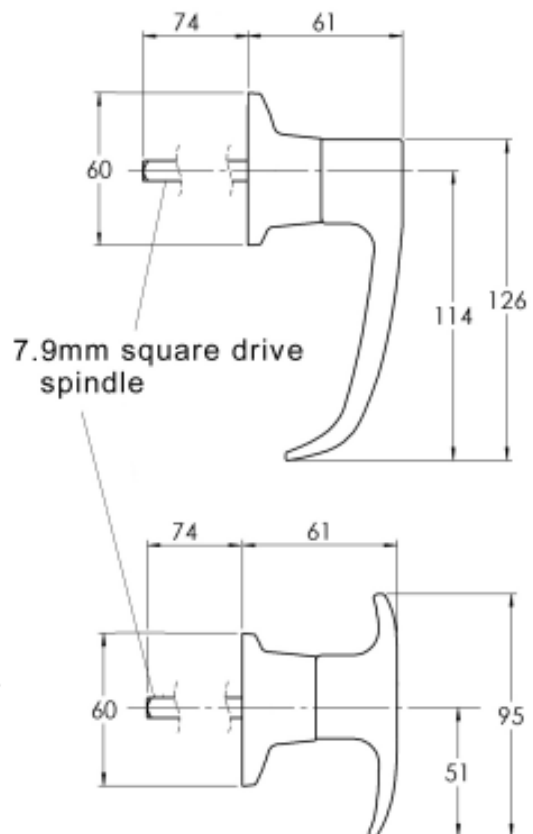
Code Information

HANDLE TYPE

- THAN** T Handle
LHAN L Handle

KEYING DETAILS

- KA** Keyed Alike
KD Keyed to Differ



Fixing Details

PATENT APPLICATION: 2003204718

Ordering Details

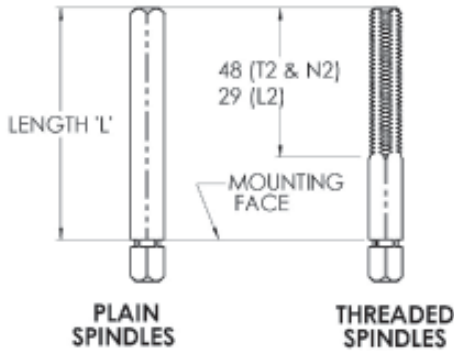
Measurements shown in mm

STEP 1 **STEP 2**
I/HANDLE TYPE - KEY DETAIL
 Ordering example: I/LHAN-KA

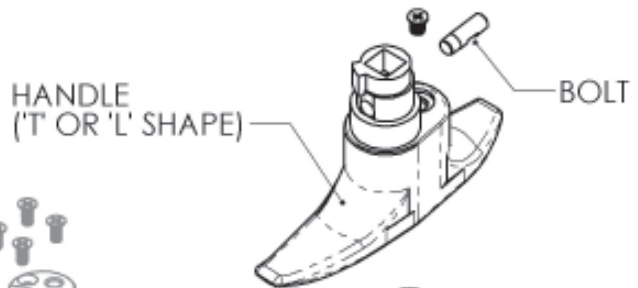
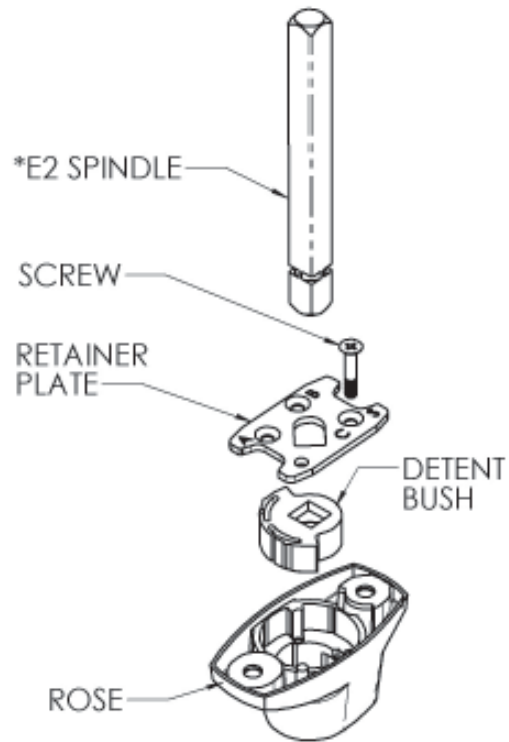
L & T HANDLES - PIN CYLINDER

ASSEMBLY INSTRUCTIONS

*SUPPLIED WITH STANDARD E2 SPINDLE, OTHERS AVAILABLE AT AN ADDITIONAL COST

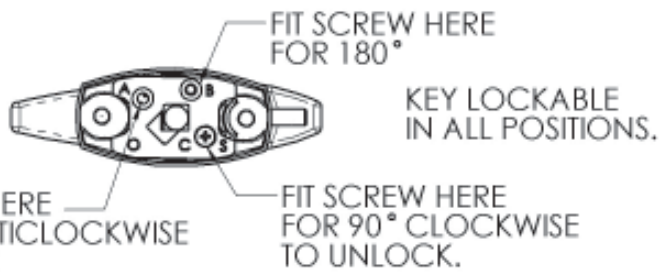
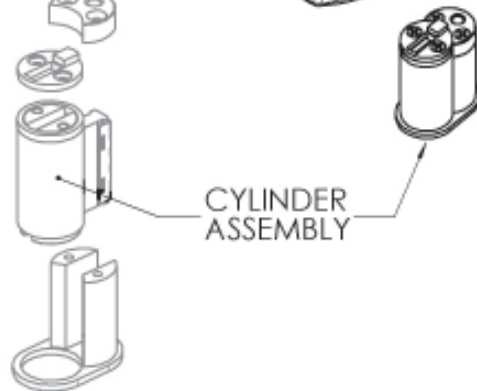


| PLAIN No | THREADED | LENGTH 'L' |
|-----------|-----------|------------|
| T/SPIN/B2 | T/SPIN/L2 | 31.5 |
| T/SPIN/M2 | | 39.5 |
| T/SPIN/C2 | | 43.5 |
| T/SPIN/D2 | T/SPIN/T2 | 50.5 |
| T/SPIN/E2 | | 74.5 |
| T/SPIN/H2 | | 100.5 |
| T/SPIN/F2 | | 136.5 |
| | T/SPIN/N2 | 62.5 |



ASSEMBLY PROCEDURE:

1. ASSEMBLE LOCK CYLINDER TO HANDLE.
2. ASSEMBLE HANDLE TO ROSE AND ROTATE CLOCKWISE OVER 1/4 TURN.
3. ASSEMBLE DETENT BUSH LOCATING OVER LUG ON HANDLE SHAFT.
4. ASSEMBLE SPINDLE TO RETAINER PLATE BY INSERTING INTO CENTRE HOLE AND MOVING SPINDLE SIDEWAYS TO LOCATE IN GROOVE.
5. ASSEMBLE RETAINER PLATE / SPINDLE TO HANDLE / ROSE BY INSERTING SPINDLE INTO SQUARE HOLE IN DETENT BUSH AND LOCATING RETAINER PLATE IN ROSE WITH LOCATION HOLE ALIGNED WITH BOSS.
6. INSERT SCREW INTO ONE OF THE 3 HOLES TO SUIT MOVEMENT REQUIRED AND TIGHTEN MAXIMUM TORQUE 1.0 Nm



PATENT APPLICATION 2003204718