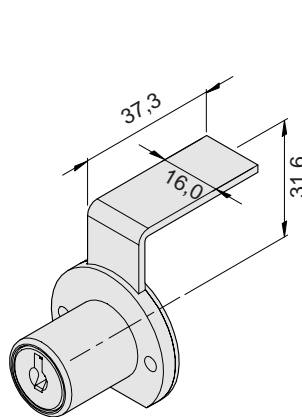


BOLT OPTIONS AND BEZELS

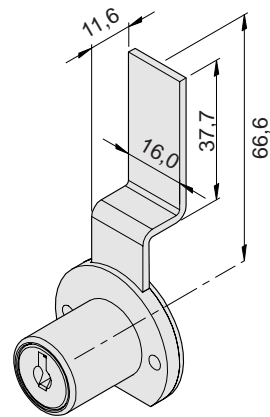
Projection Bolt Locks

Dimensions/Fixing shown NTS

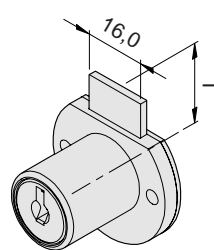
BOLT TYPE	DIMENSION L
V	19,5
F	21,5
R	28,0
X	40,5
L	49,5
M	51,5



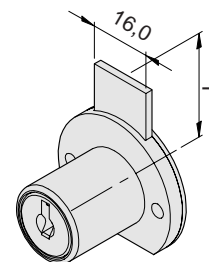
BOLT TYPE B



BOLT TYPE C



BOLT TYPE FX
Bolt out of flat



BOLT TYPE RX
Bolt out of round

Bezels

Bezels are designed to fit onto the nozzles of our locks. Their main function is to finish off a drilled hole in timber.

SIZES (Internal Diameter)

- 19 mm
- 22 mm

FINISH

- Bright chrome
- Nickel

Measurements shown in mm

