

# BARREL EXCHANGE SYSTEM

## Applications

The housings shown on this page all share a common part: an innovative removable barrel. In seconds, and without the need for any special tools, a barrel can be fitted and removed into any of these housings.

This is called the **Barrel Exchange System**.

## Advantages

Changing a barrel is the easiest and simplest way to change a lock's combination.

A group of furniture can be easily keyed alike.

When suiting an office, the furniture can be fitted with the housing carcass only. After installation, the barrels can be fitted to the required security level. Should the need arise, the combination can be easily changed.

## Key Types

The barrel exchange system consists of three types of keys: the assembly, master and servant keys.

### ASSEMBLY KEY

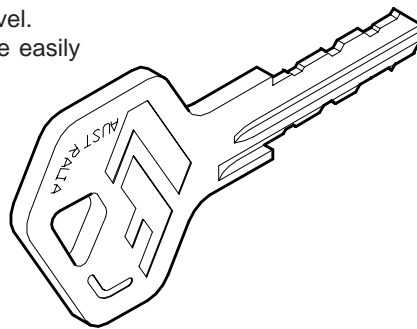
The assembly key can fit or remove a barrel from the housing.

### MASTER KEY

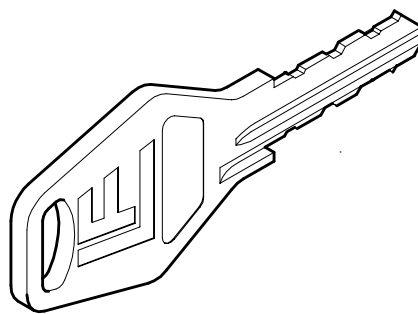
The master key will operate all the locks without removing the barrel.

### SERVANT KEYS

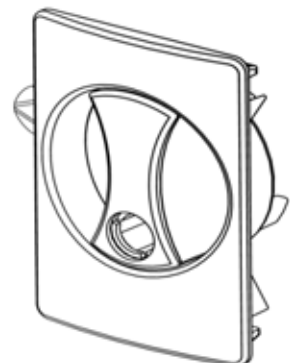
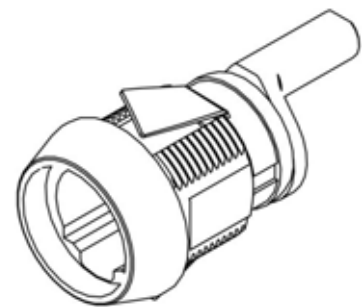
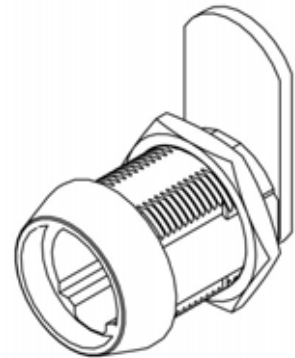
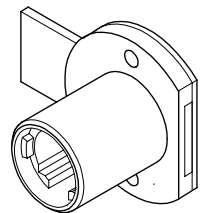
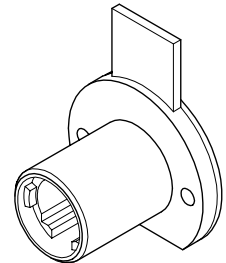
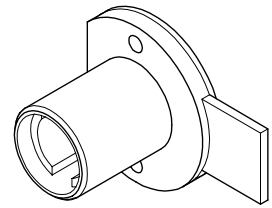
The servant keys are for normal day-to-day operation.



Assembly Key



Master Key



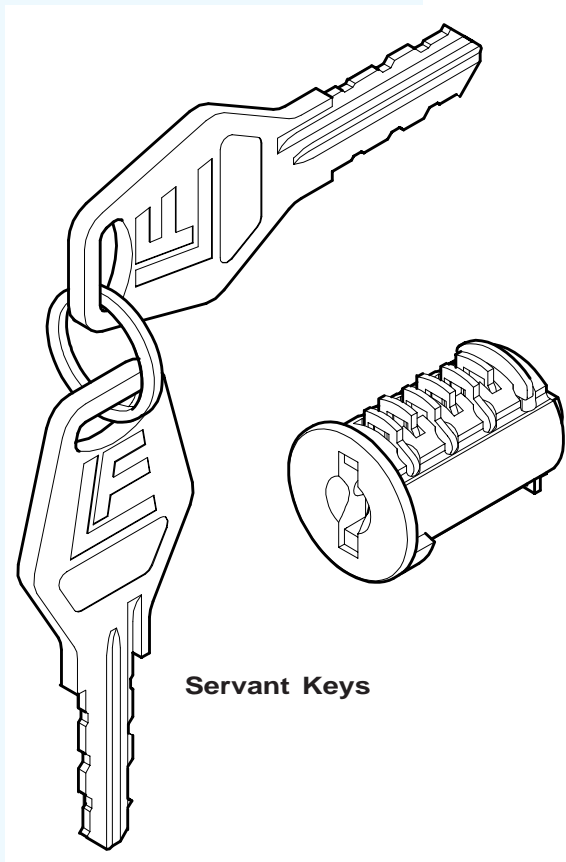
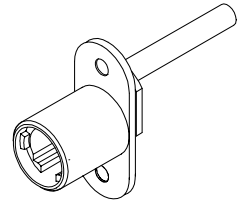
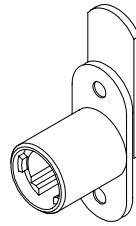
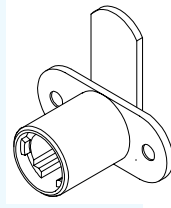
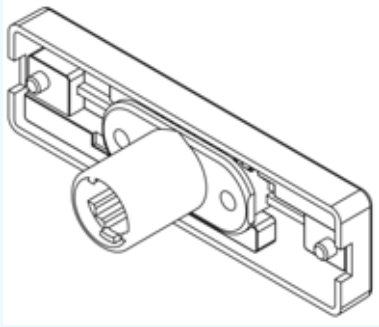
## Barrel Exchange Systems

There are four levels of barrel exchange systems.

All four are interchangeable with each other and can be master-keyed.

- R2 200 combinations with single-entry keying
- RE 500 combinations with single-entry keying double disc
- RX 500 combinations with double-entry keying
- XT 2000 combinations with double-entry keying

# BARREL EXCHANGE SYSTEM (CONTD.)



Servant Keys

