

1 2 3 4 5 6 7

DO NOT SCALE DRAWING

A

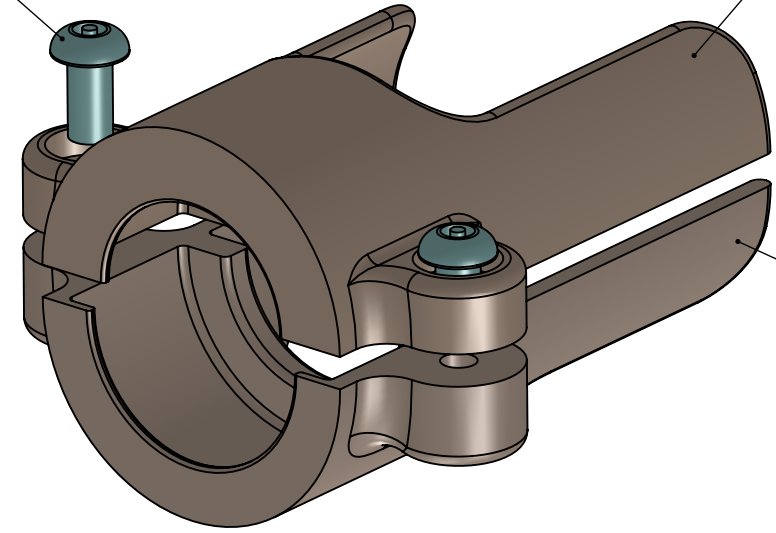
B

C

D

S/M6REX/12 x 2


D/METT/RW/2



D/METB/HRW/2T

Assembly;- A/METER/RCW
(Recycled water)

SHEET X

E		No		DATE	REVISION	DRAWN		CHK'D	<small>THE INFORMATION CONTAINED IN THIS DRAWING IS CONFIDENTIAL & MUST NOT BE MADE AVAILABLE TO ANY OTHER PERSON OR ORGANISATION WITHOUT WRITTEN PERMISSION FROM LOCK FOCUS PTY.LTD. THIS DRAWING & COPIES OF IT ALWAYS REMAIN THE PROPERTY OF LOCK FOCUS PTY.LTD.& MUST BE RETURNED ON REQUEST.</small>		SHEET No: 1 OF 1		
 3rd ANGLE PROJECTION		DIMENSION TOL. 0 ± 0.2 0.0 ± 0.1 0.00 ± 0.05 TOL. ANGLE ± 0°30'		MATERIAL X HEAT TREATMENT X		DRAWN PMC DATE Aug '10 SCALE X DIE No X CHECKED		TITLE A/METER/RCW LOCK FOCUS PTY. LTD. 15-17 FUTURA ROAD KEYSBOROUGH VICTORIA 3173		DRG. No. A/METER/RCW		A4	
UNLESS OTHERWISE SPECIFIED													