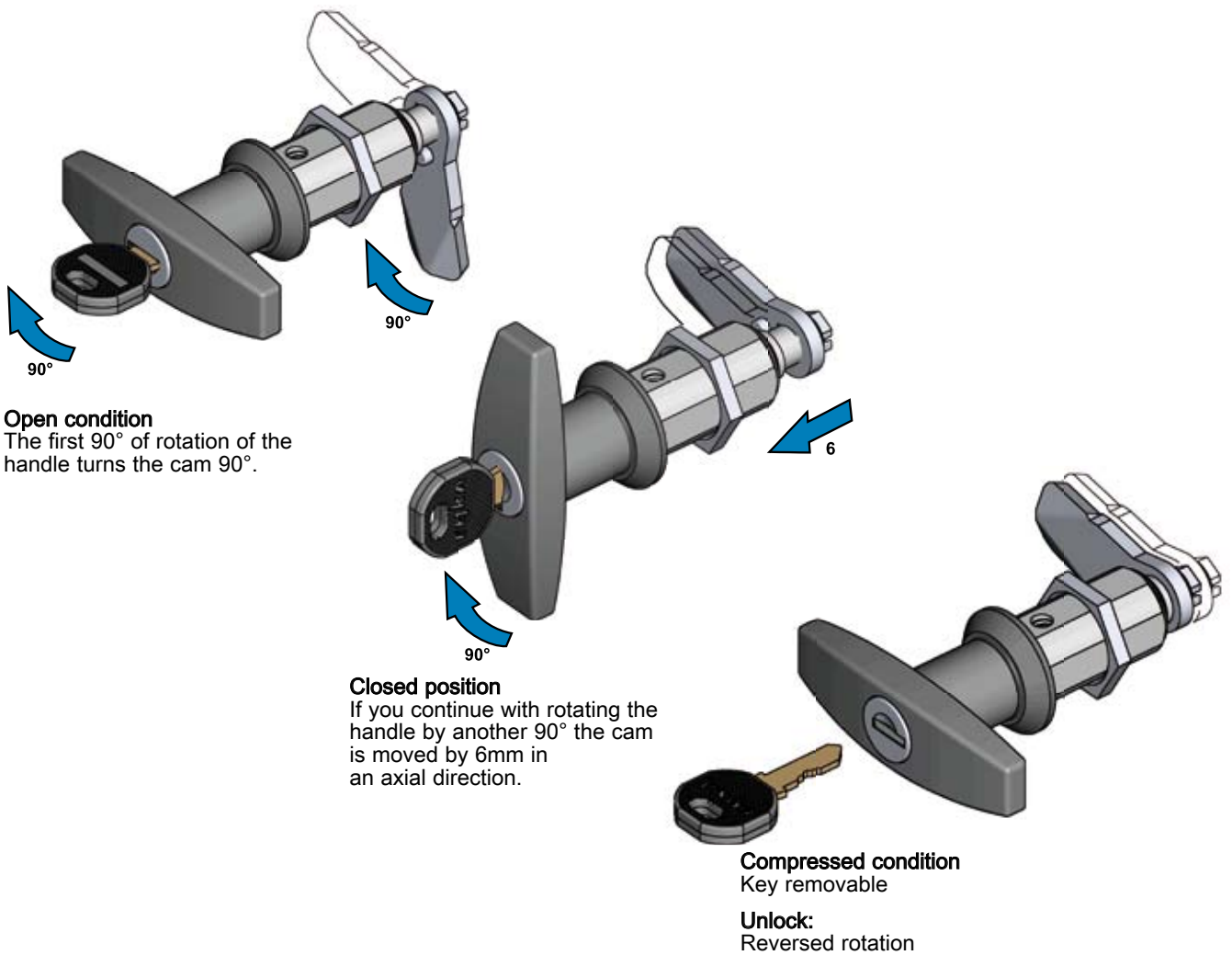


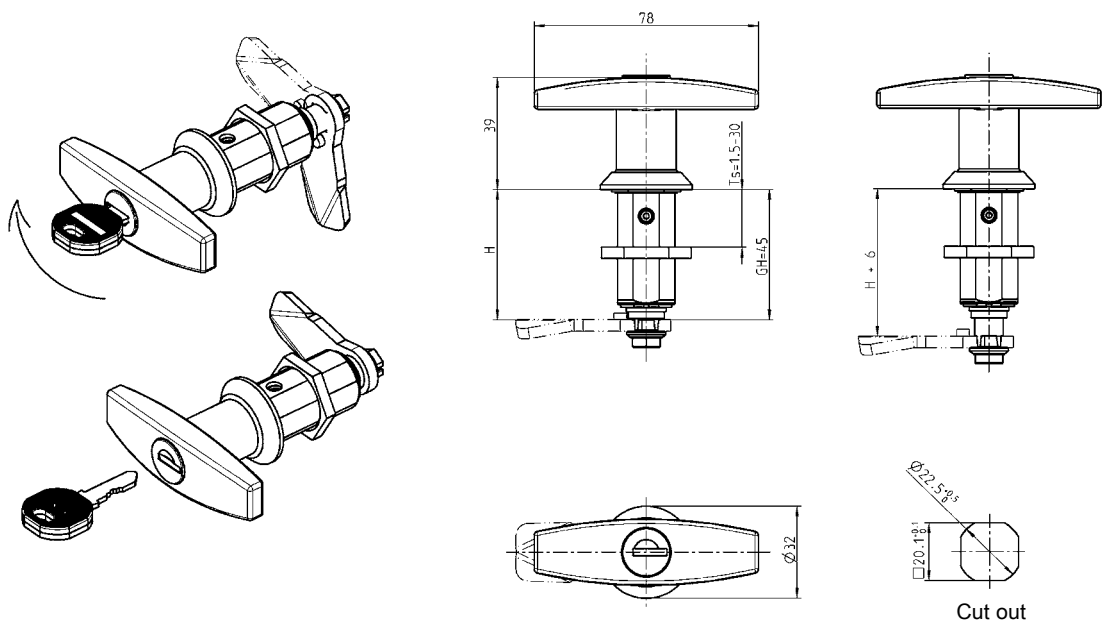
Compression latch with handle

PROGRAM 1000

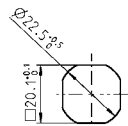
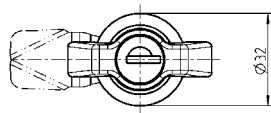
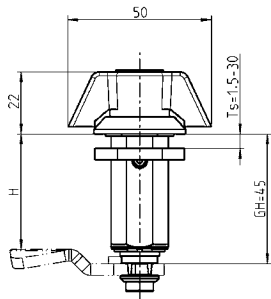
Compression T handle



Compression latch with T-handle

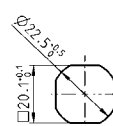
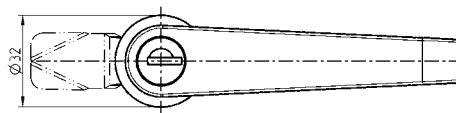
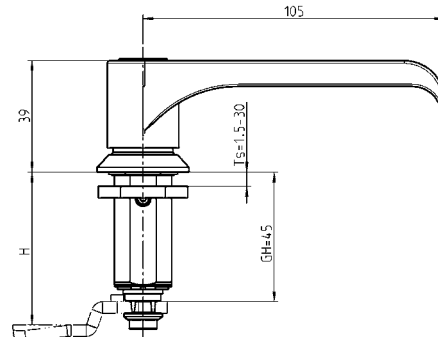


Compression Wingknob



Cut out

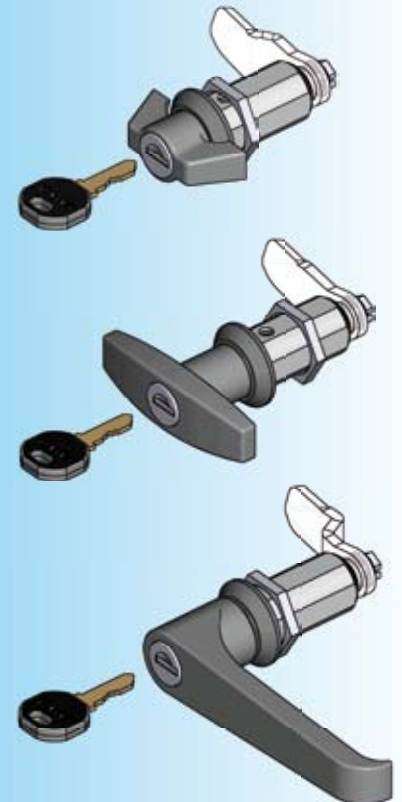
Compression L-handle



Cut out

Vibration proof

This Compression latch is of a vibration-proof design. This depends on the installation location and operational conditions. Specific checks are necessary and/or supplementary measures of fastening required.



Stainless steel version on request.

Handle and housing: black powder coated zinc alloy, cylinder: zinc alloy with stainless steel cap and shutter, nut and screw: zinc plated m.s. Each cylinder has one silver steel key with black nylon. Key removable in both positions.

	non locking	keyed EK 333	keyed different
Wing knob	1000-U826	1000-U827	1000-U828
T-Handle	1000-U820	1000-U821	1000-U822
L-Handle	1000-U823	1000-U824	1000-U825

Further parts see page
 – Cam Page 18-19
 – Dust cap for T-Handle 1C-340
 – Spare key 12B-140

See general catalogue for parts without standard page numbers (e.g. 1B-105).