

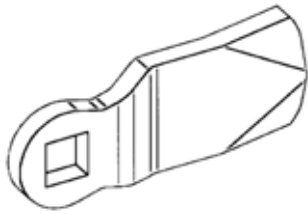
# LOCKABLE SPANNER LOCK - 18 MM



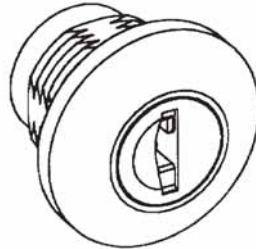
[www.lockfocus.com.au](http://www.lockfocus.com.au)

[lockf@lockfocus.com.au](mailto:lockf@lockfocus.com.au)

Spanner Locks - Page 1-10



CAM



LOCK

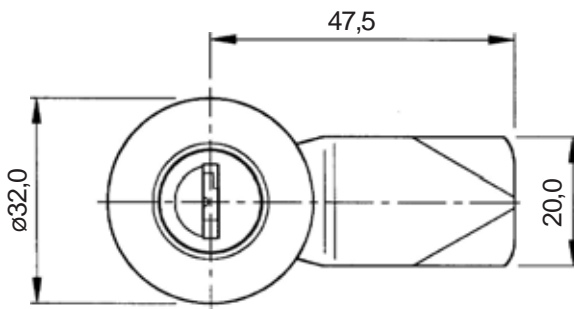


LOCK  
FIXING NUT



RUBBER  
WASHER

## Dimensions

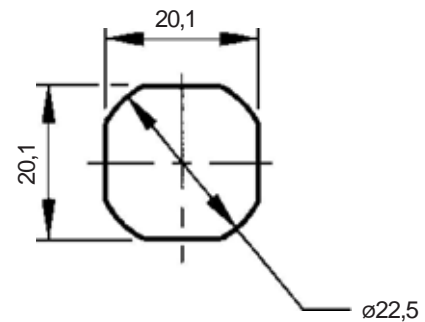
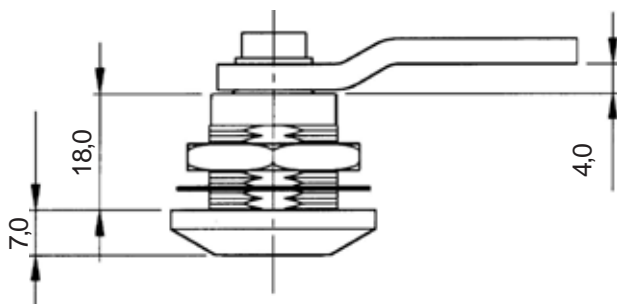


CAM FIXING  
SCREW



'O' RING

## Fixing Hole Details



## Ordering Details

|            | 1 / | 2 | 3 | 4 | 5 / | 6 | 7 / | 8 | 9 / | 10 | 11 | 12 |                                |
|------------|-----|---|---|---|-----|---|-----|---|-----|----|----|----|--------------------------------|
| ASSEMBLY   | A   |   |   |   |     |   |     |   |     |    |    |    |                                |
| MODEL      |     | S | P | 1 | 8   |   |     |   |     |    |    |    | ROUND FACE                     |
| KEY SERIES |     |   |   |   |     | C | L   |   |     |    |    |    | CL SERIES                      |
|            |     |   |   |   |     | 0 | 1   |   |     |    |    |    | 92268                          |
| FINISH     |     |   |   |   |     |   |     | 3 |     |    |    |    | BRIGHT CHROME                  |
| MOVEMENT   |     |   |   |   |     |   |     |   | C   |    |    |    | 90 DEGREES CLOCKWISE TO UNLOCK |
| FIXING     |     |   |   |   |     |   |     |   |     | H  |    |    | NUT                            |
| CAM TYPE   |     |   |   |   |     |   |     |   |     |    | S  | C  | 4 MM OFFSET                    |
| EXAMPLE:   | A / | S | P | 1 | 8 / | * | * / | 3 | C / | H  | S  | C  |                                |

NOTE: SPECIFICATIONS SUBJECT TO CHANGE WITHOUT PRIOR NOTICE